

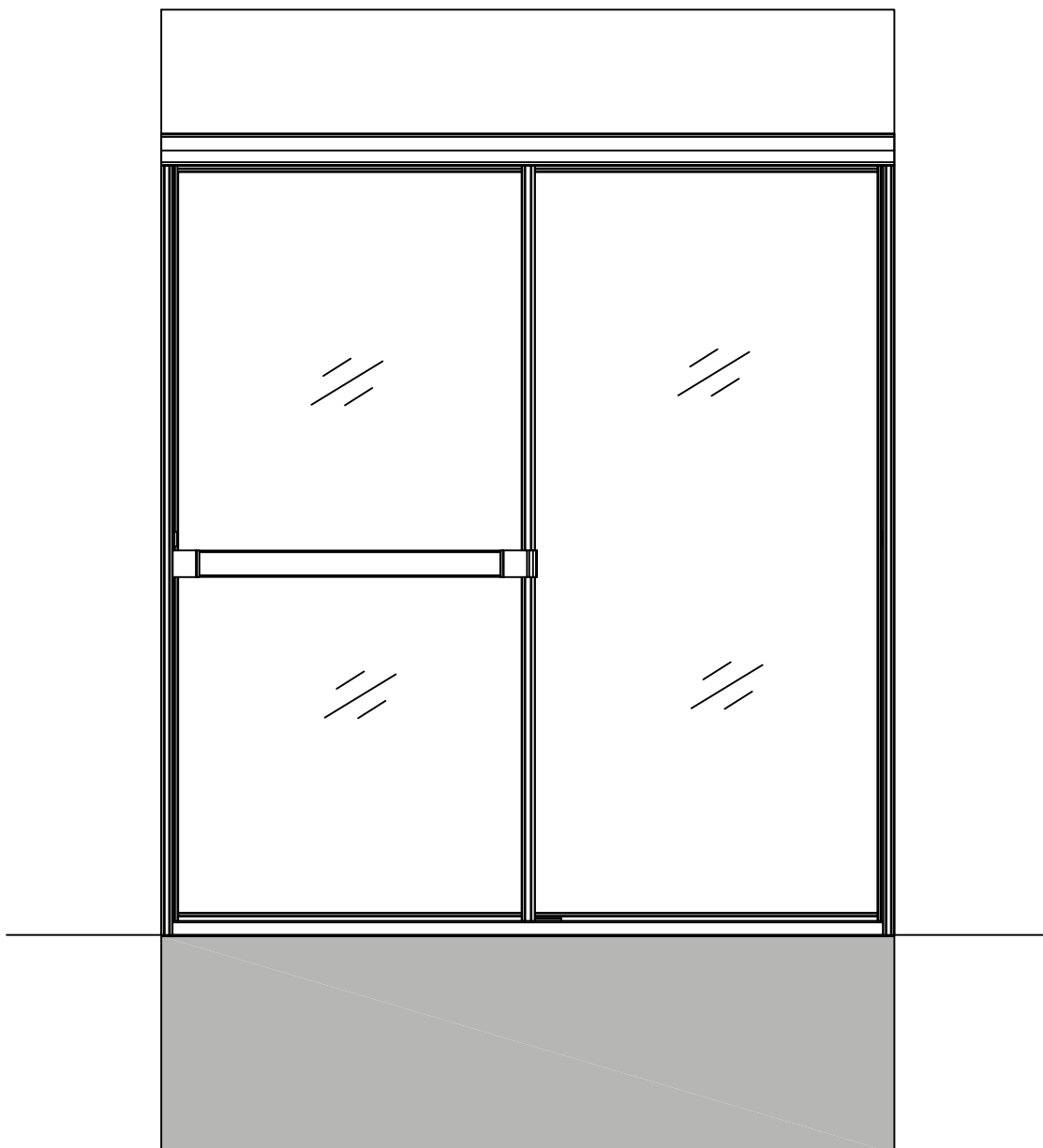
# LAKESIDE BY-PASS

Customer Service 1-888-620-3667

COPY THE MODEL NUMBER FOR YOU RECORDS HERE #

Please visit us on YouTube and view our shower door installation videos. One may be available for your installation.  
[www.youtube.com/foremostgroups](http://www.youtube.com/foremostgroups)

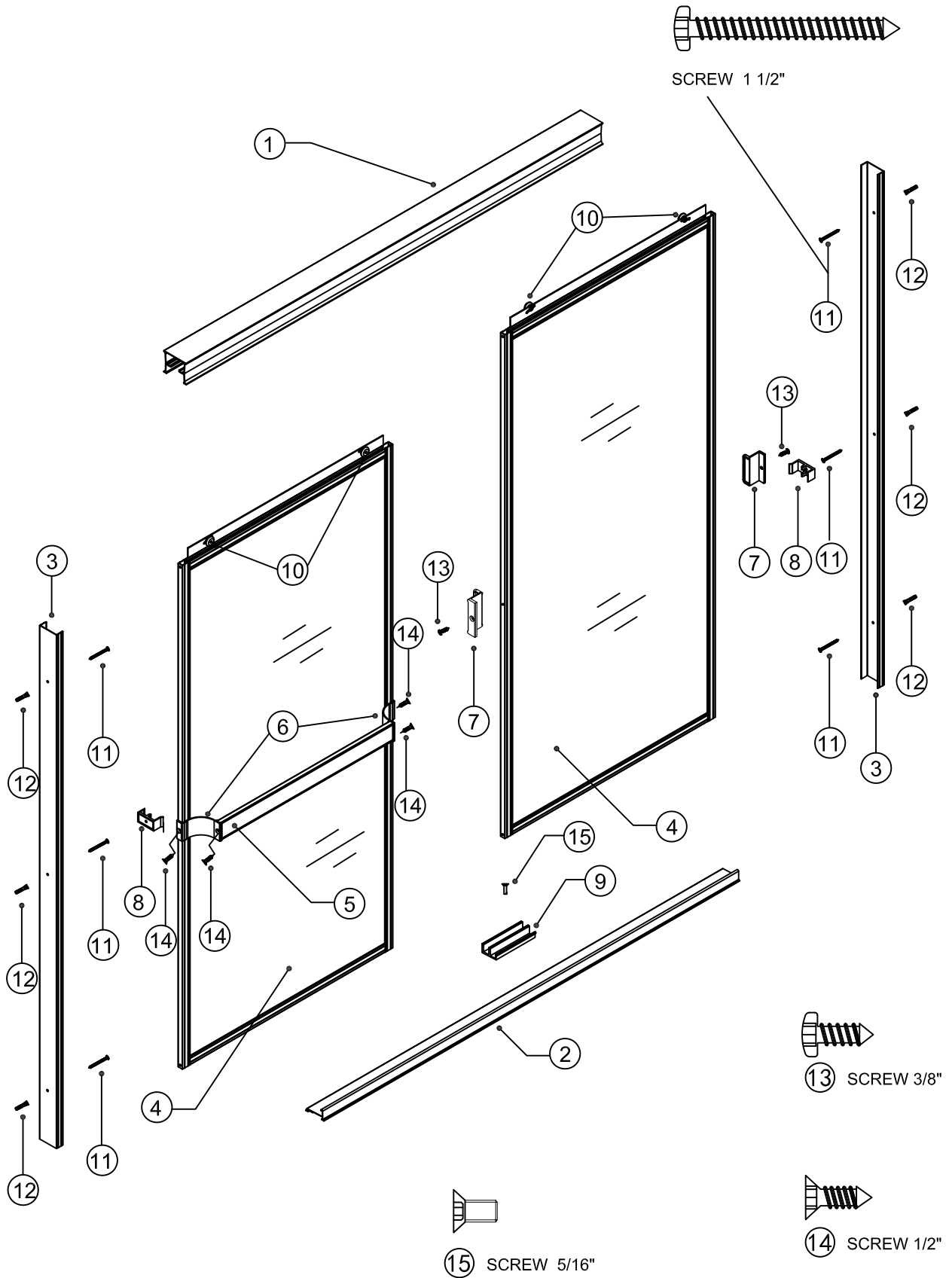
READ THE INSTRUCTIONS CAREFULLY, familiarize yourself with all the parts as shown in the exploded view. The exploded view will also provide a helpful reference when relating to the location of the various parts and how they are mounted.



# LAKESIDE BY-PASS

# FOREMOST

Customer Service 1-888-620-3667

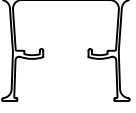
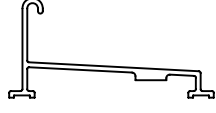


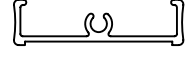
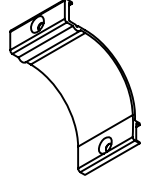
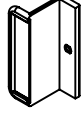
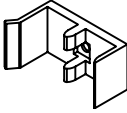
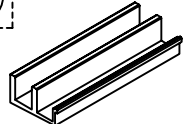



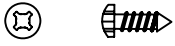
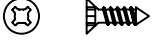
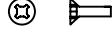


# LAKESIDE BY-PASS

# FOREMOST

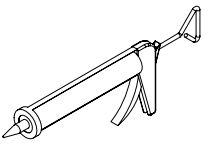
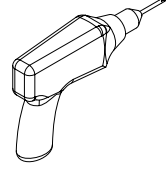
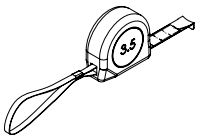
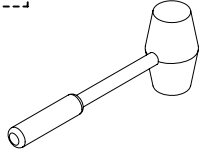
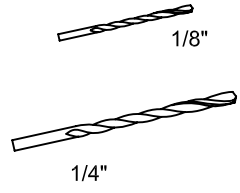
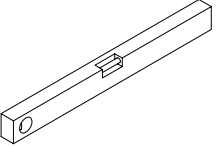
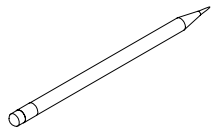
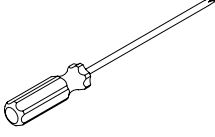
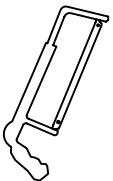

Customer Service 1-888-620-3667

## PARTS LIST.

				
TOP TRACK (1 pcs)	BOTTOM TRACK (1 pcs)	WALL JAMB (2 pcs)	DOOR PANEL (2PCS) (FRONT DOOR/BACK DOOR)	TOWEL BAR (1 pcs)
				
SUPPORT TOWEL BAR 2PCS	HANDLE (2 Pcs)	BUMPER GUIDE (2 Pcs)	GUIDE (1 Pcs)	ROLLER (4 Pcs)
				
SCREW 1 1/2" (6pcs)	WALL PLUG (7 pcs)	SCREW 3/8" (2 pcs)	SCREW 1/2" (4 pcs)	SCREW 5/16" (1 pcs)

**WARNING: Safety glasses should always be worn when working with tempered glass**

## Recommended TOOLS

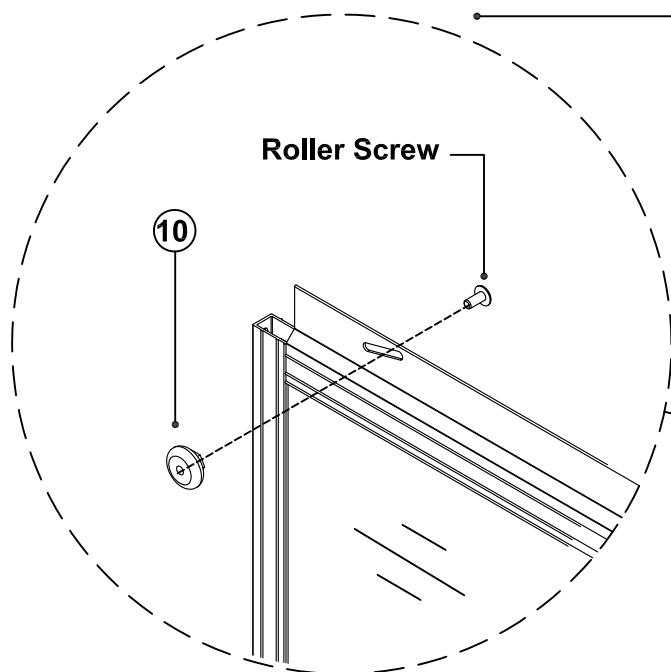
				
SILICONE	DRILL	MEASURE TAPE	RUBBER MALLET	DRILL BITS
				
LEVEL	PENCIL	SCREW DRIVERS	HANDSAW	SAFETY GLASSES

# LAKESIDE BY-PASS

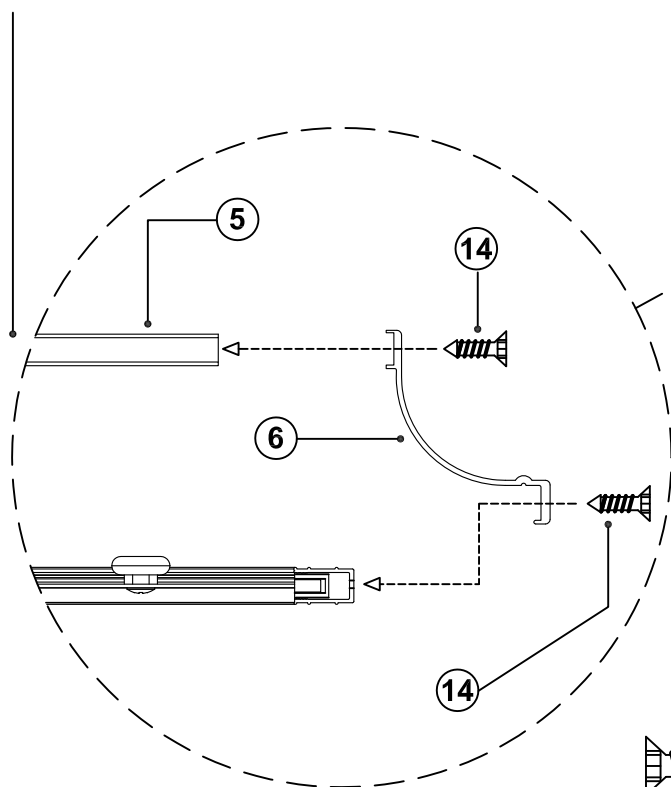
# FOREMOST

Customer Service 1-888-620-3667

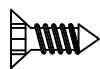
STEP 1  
INSTALL FRONT DOOR AND BACK  
DOOR ROLLER



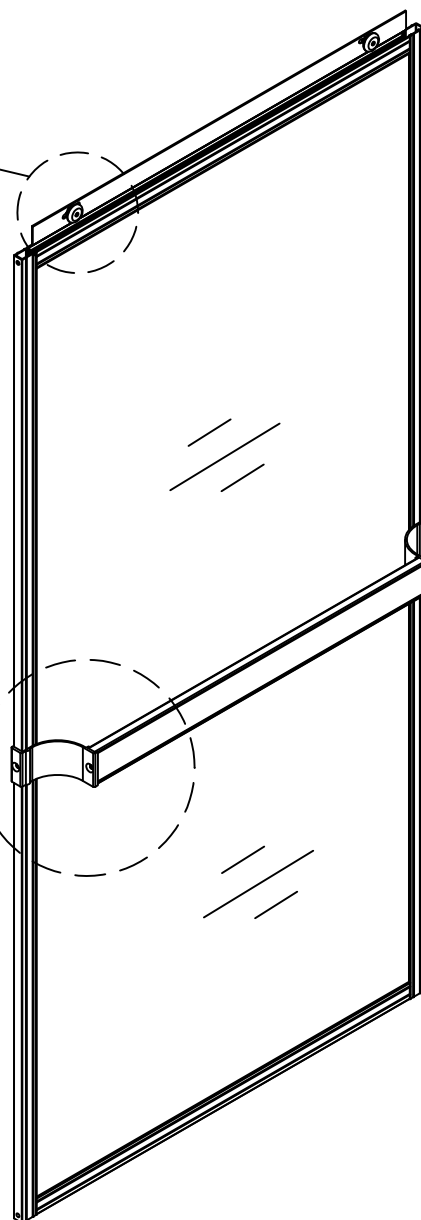
STEP 2  
INSTALL FRONT DOOR TOWEL BAR



TOP VIEW



(14) SCREW 1/2"

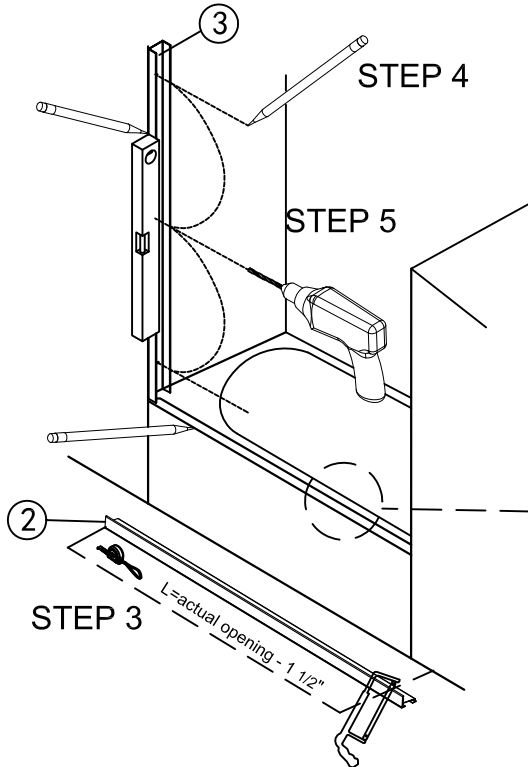


# LAKESIDE BY-PASS

# FOREMOST

Customer Service 1-888-620-3667

**STEP 3**  
MEASURE OPENING ON BOTTOM  
AND CUT BOTTOM TRACK ② 1 1/2"  
SHORTER THAN OPENING.

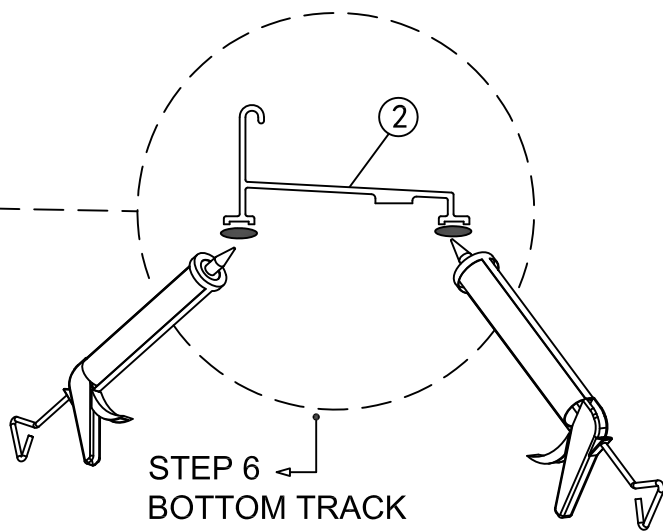


**STEP 4**  
HOLD WALL JAMB ③ ON WALL OVER BOTTOM  
TRACK AND BE SURE JAMB IS LEVEL, MARK  
HOLES, REMOVE JAMB, USING A 1/4 INCH  
MASONRY DRILL BIT, DRILL A HOLE ABOUT 1-1/2  
INCH DEEP AT EACH OF THE PREVIOUSLY  
MARKED LOCATIONS.

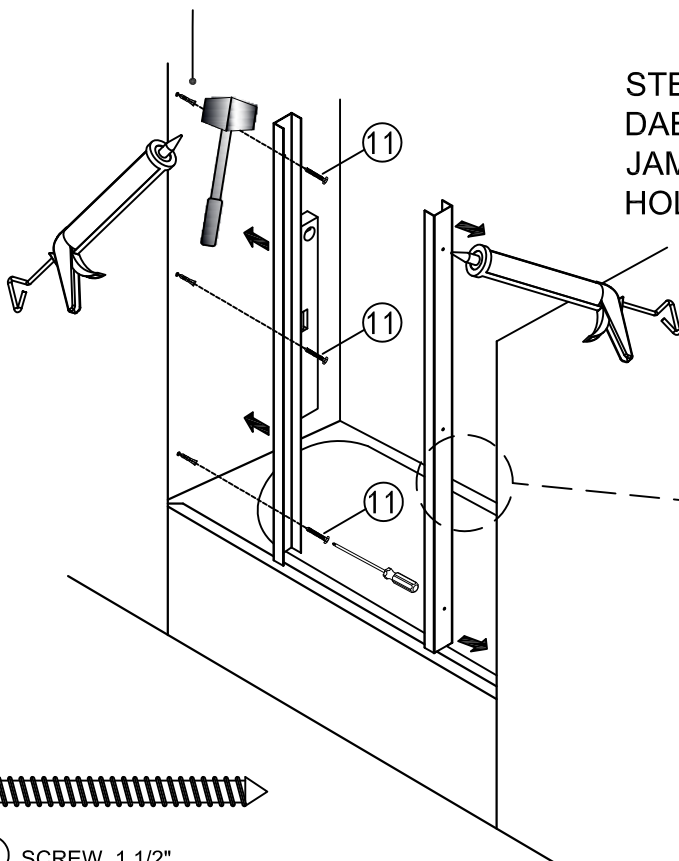


When attaching your door to Fiberglass or Acrylic you must use a 1/8" drill bit and NO WALL ANCHORS.

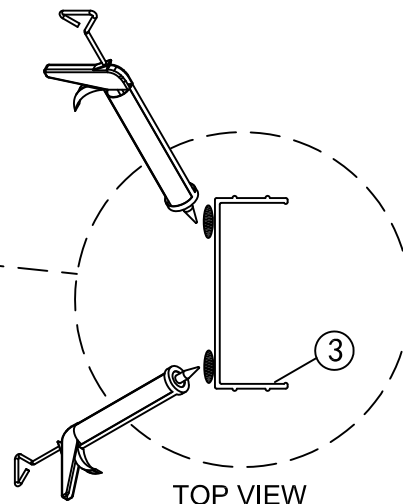
**STEP 5**  
REPEAT ON BOTH SIDE



**STEP 7**  
⑫ WALL PLUG.



**STEP 8**  
DAB SILICONE IN HOLES AND ATTACH THE  
JAMB USING SCREW ⑪ ON TOP AND BOTTOM  
HOLES, (SEE STEP 10 FILL CENTER HOLES.)



TOP VIEW

**STEP 9**  
WALL JAMB SILICONE ON BACK SIDE



⑪ SCREW 1 1/2"

# LAKESIDE BY-PASS

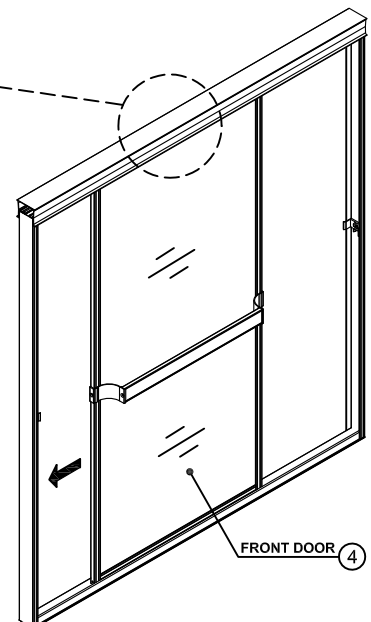
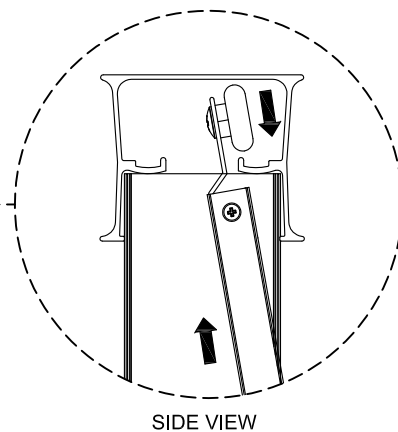
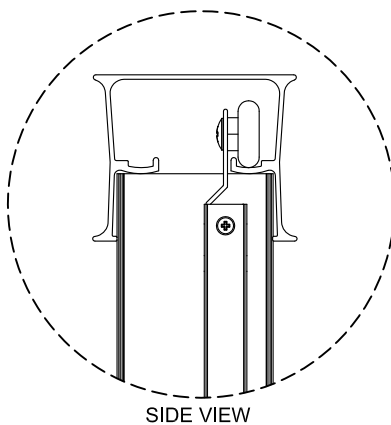
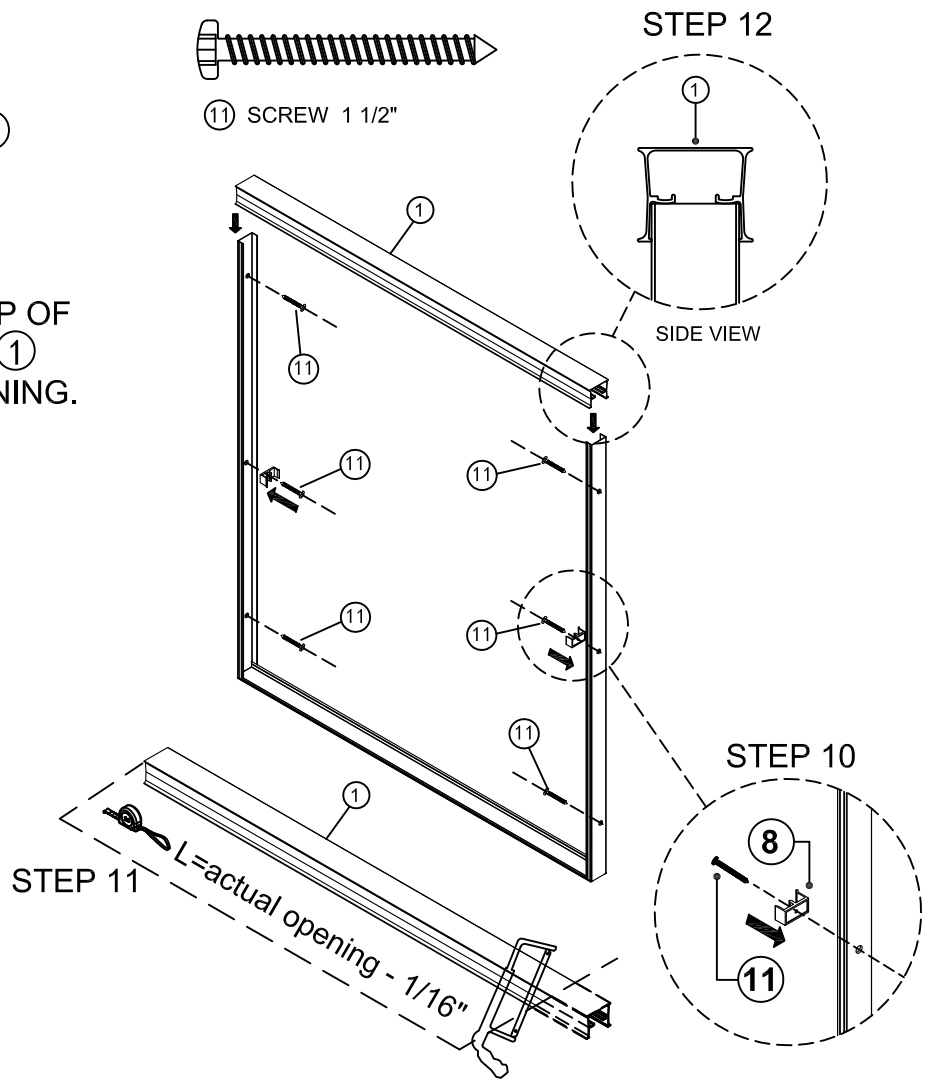
# FOREMOST

Customer Service 1-888-620-3667

STEP 10  
INSTALL BUMPER GUIDE ⑧  
WITH 1-1/2" SCREW ⑪

STEP 11  
MEASURE OPENING AT TOP OF  
WALL JAMB, CUT HEADER ①  
1/16" SHORTER THAN OPENING.

STEP 12  
PLACE TOP RAIL ON THE  
WALL JAMBS



STEP 13  
INSTALL OUTER DOOR PANEL BY LIFTING  
UP & INTO TOP TRACK.

# LAKESIDE BY-PASS

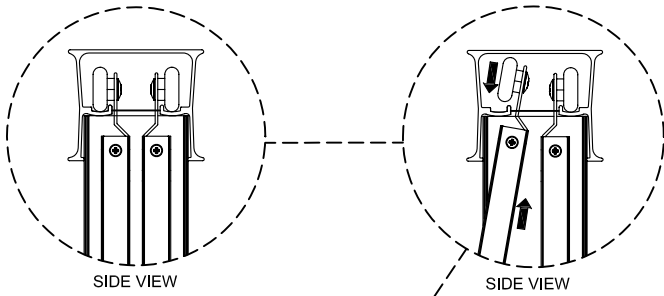
# FOREMOST

Customer Service 1-888-620-3667

**STEP 14**  
INSTALL INNER DOOR PANEL BY  
LIFTING UP & TOP TRACK.

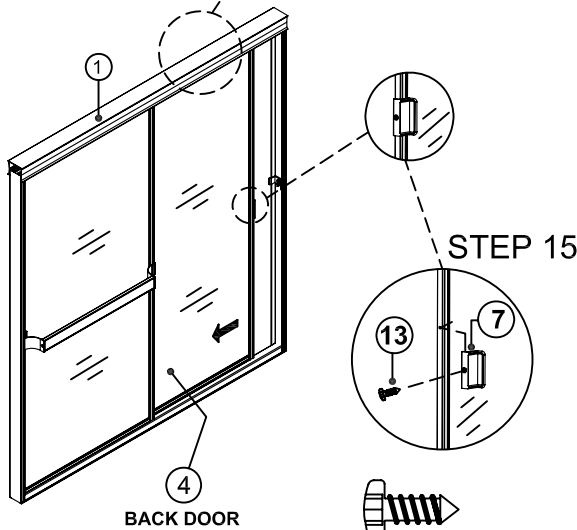
**STEP 15**  
INSTALL HANDLE (7) WITH 3/8"  
SCREW (13) LEFT AND RIGHT.

**STEP 16**  
INSTALL GUIDE (9) WITH 5/16"  
SCREW (15).



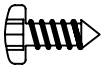
SIDE VIEW

SIDE VIEW

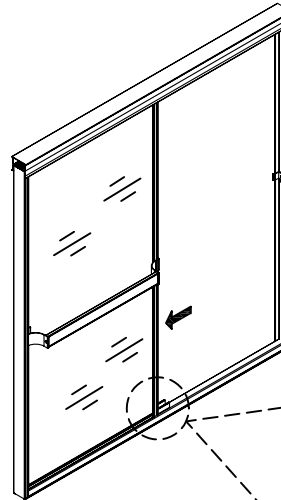


STEP 15

BACK DOOR

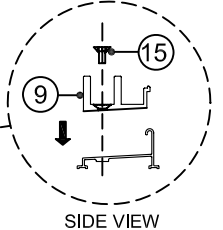


(13) SCREW 3/8"

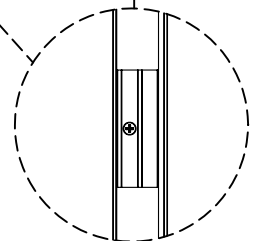


(15) SCREW 5/16"

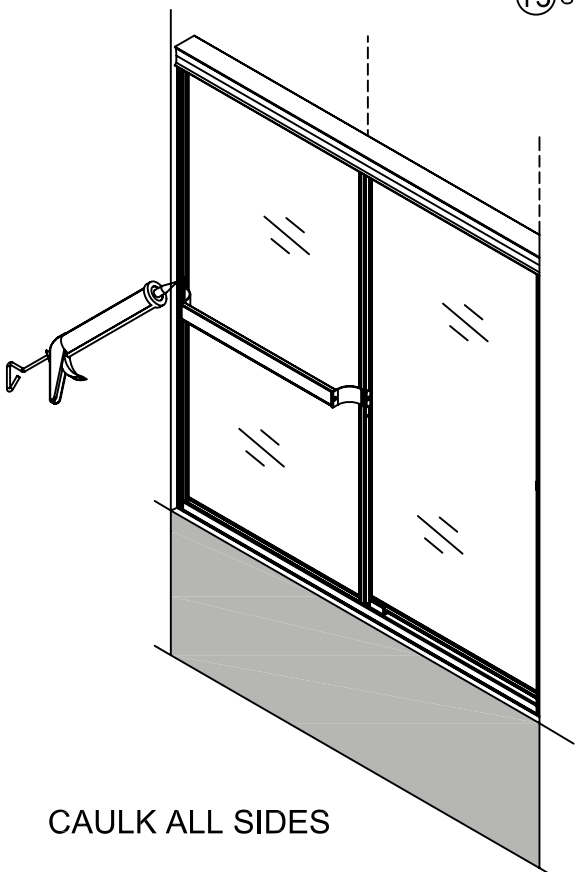
STEP 16



SIDE VIEW



TOP VIEW



CAULK ALL SIDES



**24** Hours

**FINAL STEP:** Caulk the inside sides of the shower door frame to seal. Keep the entire area dry for a minimum of **24** hours. Your installation is now complete. Thank you for choosing Foremost shower doors. ***If you have any questions or require any assistance please contact our customer service center in Hobart Indiana.***

**Toll Free:** 888.620.3667

**Email:** [KandBservice@foremostgroups.com](mailto:KandBservice@foremostgroups.com)

**Hours:** 8:00am-4:30pm (CST) Monday-Friday