

# CRAFT + MAIN™

## INSTALLATION AND USER GUIDE

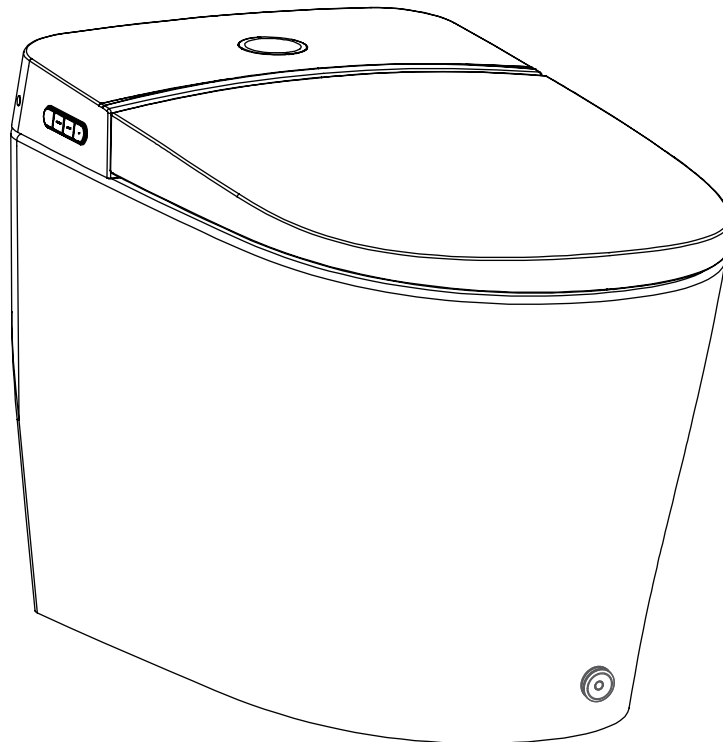
---

### JOVIAN™ Intelligent Toilet ITL-3014T-EW

---

**Read all instructions carefully before proceeding.**

SERIAL NUMBER: \_\_\_\_\_

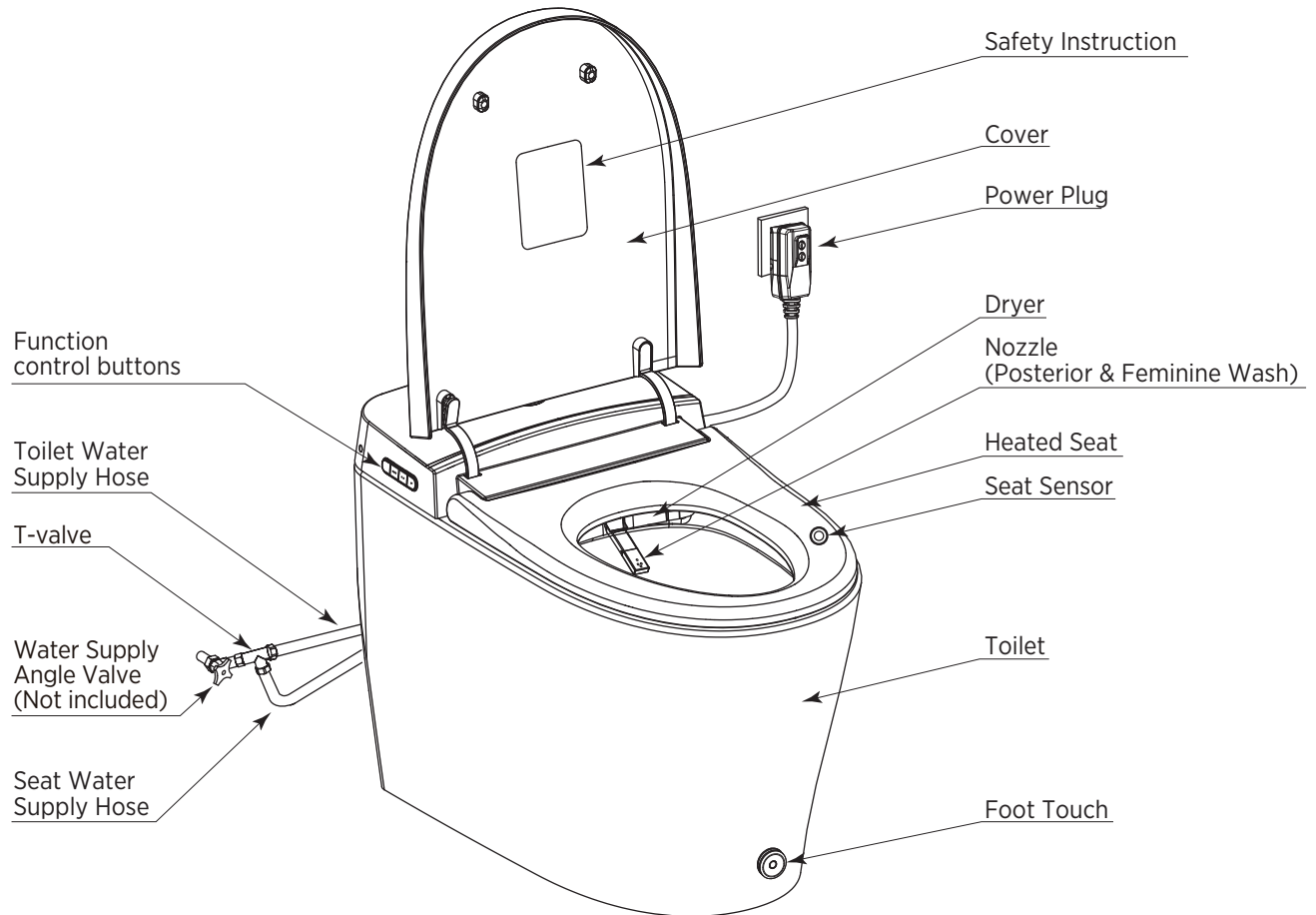


- To ensure that timely and effective service is available for you, please keep this manual for future reference.

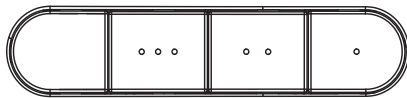
# CRAFT + MAIN™

## INSTALLATION AND USER GUIDE

### JOVIAN™ Intelligent Toilet ITL-3014T-EW



### Function control buttons



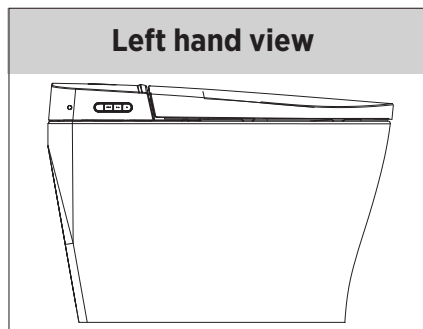
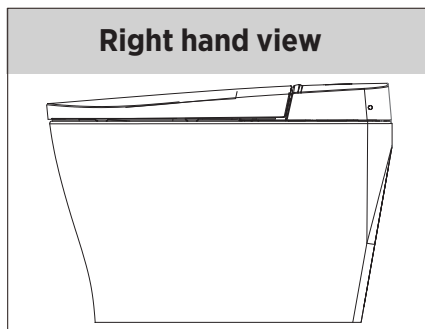
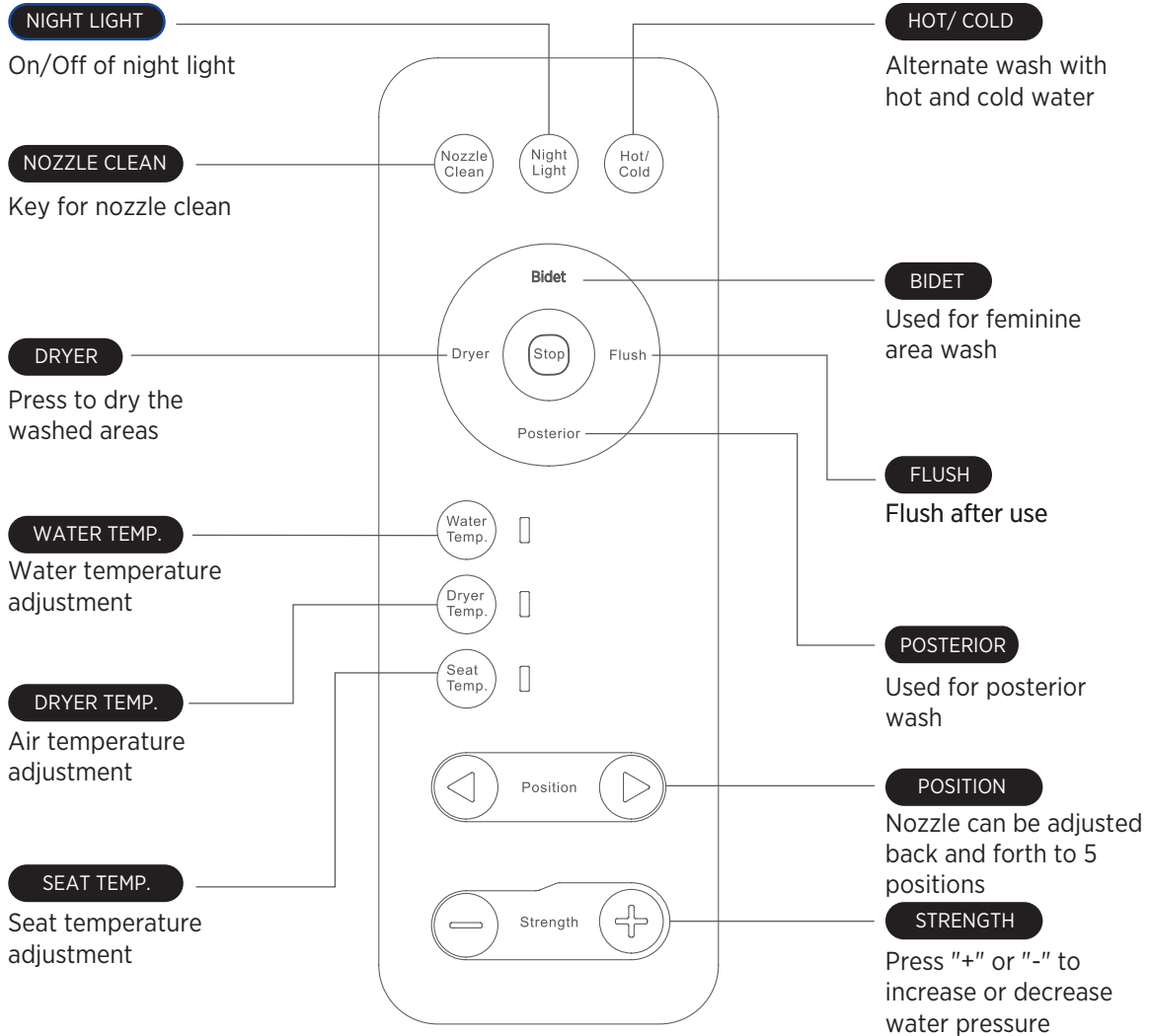
Power/Stop    Posterior    Feminine    Flush

# CRAFT + MAIN™

## INSTALLATION AND USER GUIDE

### JOVIAN™ Intelligent Toilet ITL-3014T-EW

## KEYS OF REMOTE CONTROL



# CRAFT + MAIN™

## INSTALLATION AND USER GUIDE

### JOVIAN™ Intelligent Toilet ITL-3014T-EW

## ATTENTION - PLEASE READ CAREFULLY

Thank you for purchasing this product from our company. To ensure proper use of this product, please read this manual carefully prior to use. Please retain this manual for future reference.

These notes contain important safety-related contents. Significant consequences may result according to different situations. Please follow these carefully to ensure a safe operating toilet.

## EXPLANATION OF TERMS AND MARKS

**Warning** . . . Indicates that improper usage may result in serious injury or death. The user should adhere to warning messages.

**Attention** . . . Indicates that improper usage may result in injury or property damage.



. . . . When used with the above "Warning" and "Attention" terms, indicates a strict request to follow noted precautions.



. . . . Prohibits any individual from performing any action with this symbol.



. . . . Prohibits any individual from disassembling the product.



. . . . Do not install it in a bathroom which is excessively wet or humid.



. . . . Do not touch!



. . . . Do not touch with wet hands!



. . . . Keep away from a combustible source.



. . . . Operate according to instructions!



. . . . Unplug the unit from power.



. . . . Protective grounding



# CRAFT + MAIN™

## INSTALLATION AND USER GUIDE

### JOVIAN™ Intelligent Toilet ITL-3014T-EW

#### **WARNING**



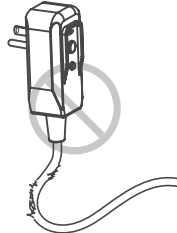
This product must be properly grounded, or a fault or short circuit may result in electric shock. If unsure, contact an electrician.



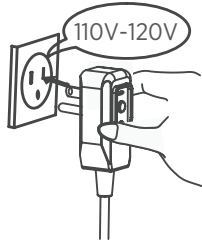
Do not touch, insert or pull out the power plug with a wet hand or there will be a risk of electrical shock



Do not use a power socket in poor condition or a damaged power plug. The poor contact or damage may cause electrical shock or a fire.



The power socket in use shall be within the specified range (AC110V-120V) or a fire or electrical shock may occur easily.



Do not pull, damage, bend, twist, stretch, roll, bundle, clamp or squeeze the power cable overly or bear load with it or damage of the power cable may cause electrical shock or a fire.



If the power cable is damaged, to prevent any danger, it shall be replaced. If care is not taken to replace the power cable, an electrical shock or fire can result.



Do not put a lighted cigarette or other burning object into the intelligent toilet or fire may occur.



If the seat or lid is damaged, to avoid harm, be sure to unplug the unit from power, shut off water supply, and contact the local distributor for replacement. Otherwise, the danger of electrical shock or a fire may occur.



Occasionally pull out the power plug and wipe off any dust on the power plug with a dry cloth or a fire may be caused when insulation is poor.



Young children, the elderly, and people with disabilities shall be given supervision when using the intelligent toilet to prevent any accidents.



Do not allow a child to play with this product or injury result.



Only an authorized technician is allowed to work on the electrical components of this toilet. Failure to comply may result in personal injury or void the warranty.



Unplug and do not operate unit during thunderstorms to prevent injury or malfunction.

# CRAFT + MAIN™

## INSTALLATION AND USER GUIDE

### JOVIAN™ Intelligent Toilet ITL-3014T-EW

#### **WARNING**



##### Battery safety:

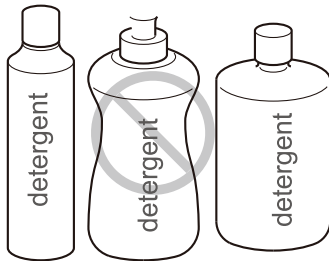
- Only use new batteries.
- Keep batteries out of reach of children.
- Install batteries correctly, according to proper polarity.
- Keep batteries away from metal items, such as jewelry or coins.
- Replace batteries before they are completely exhausted.
- Remove batteries during long periods without use.
- Recycle or dispose of all exhausted batteries properly at your local recycling or collection center.

##### In case of contact with an open or leaking battery:

- Skin contact: Remove contaminated clothing and wash skin with soap and water.
- Eye contact: Immediately flush eyes thoroughly with water for at least 15 minutes. Seek medical attention.
- Ingestion: Do not induce vomiting or give food or drink. Seek medical attention immediately.



For cleaning or maintenance of plastic parts, do not use any harsh cleaning agents. (This includes, but is not limited to concentrated sulphuric acid, anhydrous acetic acid, acetone, benzene, acetate, 95% alcohol, kerosene, or gasoline.) Plastic parts may break and cause injury, electrical shock or a fire.



Keep remote control and the power plug away from water or wet surface. Potential danger of electrical shock or a fire.



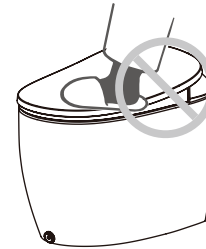
Avoid installing this product in a bathroom which has excessive water. Do not spray water onto this product or rinse it with water. Potential danger of electrical shock or fire.



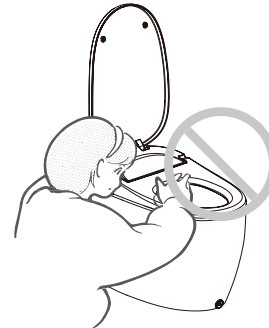
Do not use industrial or polluted water in operating this intelligent toilet or harm may occur.



Damage may occur to the seat if it is not treated with care. Do not stand on the seat or lid.



Do not insert a hand or other object into the warm air outlet, and do not cover the warm air outlet when the product is being used. Electrical shock, a fire or abnormal operation may occur, resulting in injury



Do not allow any liquid near the warm air outlet or there may be a danger of electrical shock.

# CRAFT + MAIN™

## INSTALLATION AND USER GUIDE

### JOVIAN™ Intelligent Toilet ITL-3014T-EW

#### ATTENTION



Do not use the high and medium levels of seat temperature, water, or dryer for extended periods. Long-time use may cause burning.



Avoid direct sunlight or putting a heating device close to this product. May cause discoloration.



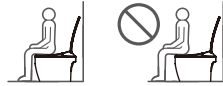
In use, keep the skin close to the sensor area within the seat, or this product may stop its wash or warm drying function. Children may have difficulty staying in contact with sensor area.



To avoid the danger from false resetting of the thermal breaker, do not supply electricity through an external switch, such as through a timer, or connect to a circuit that is periodically turned on and off by a general-purpose component.



Do not spray urine on the nozzle or nozzle may become clogged.



Please unplug and drain this unit if it won't be used for long periods of time. Damage may result from accumulated water inside the product and cause a fire or water leakage.



Only use new braided water supply hoses when installing this toilet.



Do not expose this product to temperatures below 39° F/4° C. Freezing of any water inside the seat or bowl will damage this toilet.



In case of sudden power failure, pull out the power plug and close the water supply angle valve to prevent any water leakage. Water leakage may result in property loss.



Do not flush sanitary pads, diapers, or other items that may cause blockages.

# CRAFT + MAIN™

## INSTALLATION AND USER GUIDE

### JOVIAN™ Intelligent Toilet ITL-3014T-EW

## GROUNDING INSTRUCTIONS

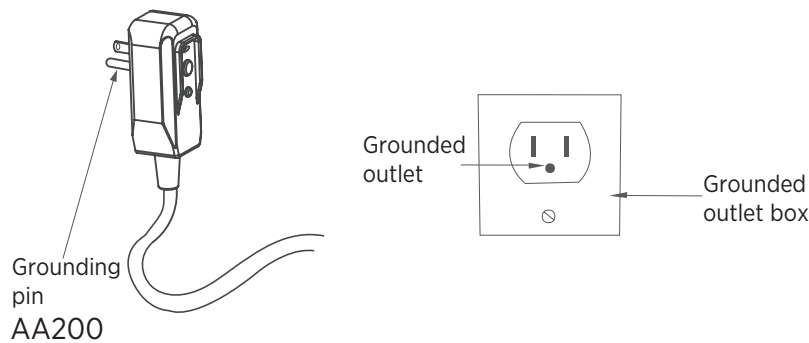
This product must be grounded. In the event of an electrical short circuit, a grounded product reduces the risk of electric shock. This product is equipped with a cord having a grounded wire with a grounded plug. The plug must be plugged into a GFCI outlet that is properly installed and grounded.


**DANGER – Improper use of the plug can result in a risk of electric shock.**

Check with a licensed electrician or serviceman if the grounding instructions are not completely understood. Or if there is any doubt the product is properly grounded.

This product is for use on a nominal 110V-120V circuit, and has a grounded plug that looks like the electrical plug illustrated below.

## GROUNDING METHODS



 **WARNING: Risk of electric shock -**  
**Connect only to a circuit that is protected by a ground-fault circuit-interrupter (GFCI).**  
**This unit comes with an internal electrical leakage protection feature which will ground out minor electrical leakage.**

# CRAFT + MAIN™

## INSTALLATION AND USER GUIDE

---

### JOVIAN™ Intelligent Toilet ITL-3014T-EW

---

## IMPORTANT SAFEGUARDS

**When using electrical products, especially when children are present, basic safety precautions should always be followed, including the following:**



**DANGER- To reduce the risk of electrocution:**

1. Do not use while bathing.
2. Do not place or store product where it can fall or be pulled into a tub or sink.
3. Do not place in or drop into water or other liquid.
4. Do not touch an electrical product that has fallen into water.



**WARNING- To reduce the risk of burns, electrocution, fire or injury:**

1. Close supervision is necessary when this product is used by, on, or near children, elderly, or disabled persons.
2. Use this product only for its intended use as described in this manual. Do not use attachments not recommended by the manufacturer.
3. Never operate this product if it has a damaged cord or plug, if it is not working properly, if it has been dropped or damaged, or dropped into water.



**Things not to do:**

1. Keep the power cord away from heated surfaces.
2. Never block the air openings of the product or place it on a soft surface, such as a bed or couch, where the air openings may be blocked. Keep the air openings free of lint, hair, and the like.
3. Never use while sleepy or drowsy.
4. Never drop or insert any object into any opening or hose.
5. Do not use outdoors or operate where aerosol (spray) products are being used or where oxygen is being administered.
6. Connect this product to a properly grounded outlet only. See Grounding Instructions.

SAVE THESE INSTRUCTIONS

# CRAFT + MAIN™

## INSTALLATION AND USER GUIDE

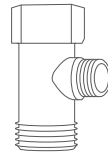
### JOVIAN™ Intelligent Toilet ITL-3014T-EW

## HARDWARE AND PARTS LIST

Intelligent Toilet



T-Valve with  
Wire Filter & O-Ring



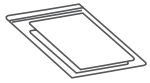
Wax Ring



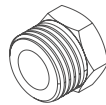
Remote Control  
& Holder Assembly



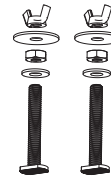
Operating instructions



Adaptor  
with O-Ring

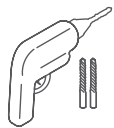


Floor Bolts x2



## TOOLS

Drill (with 1/4" drill bit)



Teflon tape



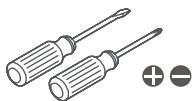
Marking pen



23-26mm Adjustable Wrench



Philips (cross) and  
slotted screwdriver



Tape measure



Measuring cup



- The pictures for the above items are only for reference.
- Batteries are not supplied. 2x AAA required for remote control unit. 1x 9 volt required for manual flush.

# CRAFT + MAIN™

## INSTALLATION AND USER GUIDE

### JOVIAN™ Intelligent Toilet ITL-3014T-EW

## CONFIRM PRIOR TO INSTALLATION

### Water Requirements

- Minimum dynamic working pressure is 25 psi (no less than 4.8 gal/min at flowing), and maximum static water pressure is 80 psi (in motionless state). Minimum water pressure required for basic function performance.

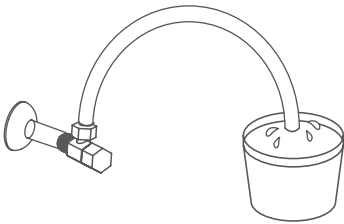
### Key point for measurement of minimum water pressure

This method can be used if you have no water pressure measuring apparatus

### Key point to consider

Please note where well water is being used; a main water filter system is highly recommended to ensure the best results when using this product.

### Open the water supply angle valve

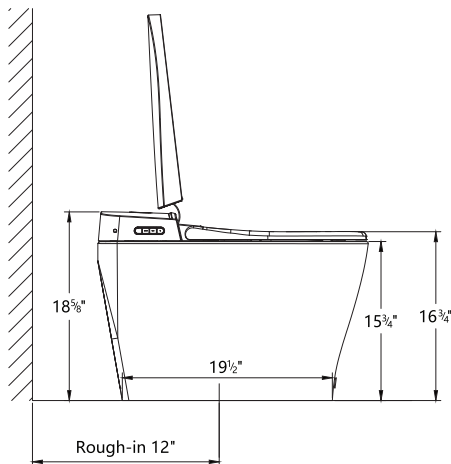


Measure flow-out water for 10 seconds, if water volume exceeds 0.8gal/3L, the water pressure meets the installation indexes of intelligent toilet.

Tools for use: stopwatch and measuring cup

## CONFIRM PRODUCT DIMENSIONS WITH INSTALLATION SPACE

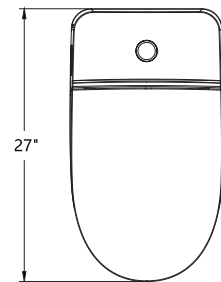
Unit: inches



Side view



Front View



Top View

\*We reserve the right to change the dimension marked in the figure at any time without prior notice.

# CRAFT + MAIN™

## INSTALLATION AND USER GUIDE

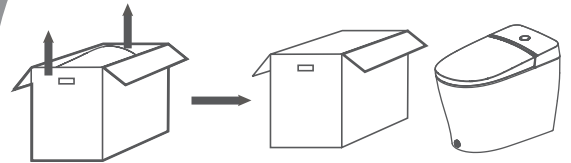
### JOVIAN™ Intelligent Toilet ITL-3014T-EW

## INSTALLATION INSTRUCTIONS

### 01 Lift the packaging upwards to expose the toilet

According to the following diagrams, put the accessories aside for later use, and then lift the packaging upwards to allow for the toilet to be exposed. (F1)

F1

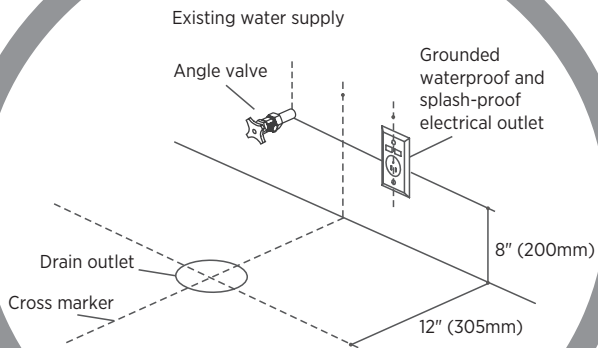


F2

02

### Draw a cross marker on the drain outlet on the ground

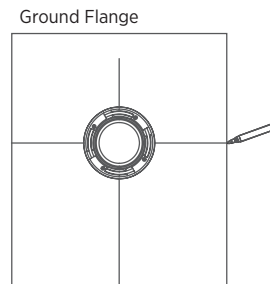
Clean the floor and wipe off any excess dust or dirt (F2). Failure to install on a cleaned surface will affect the quality of installation.



### 03 Installation of floor flange

Install the new flange to the drain outlet or use existing one and draw a cross line with an erasable marker as a reference line for installing the toilet (F3).

F3



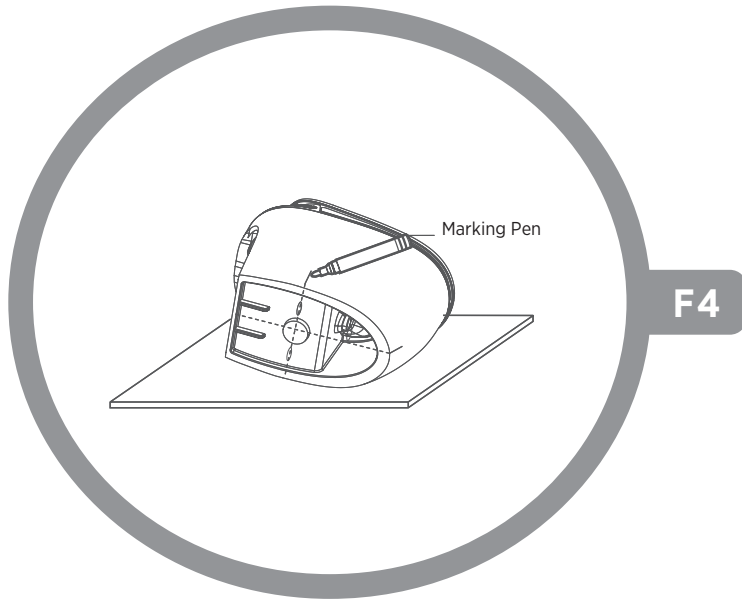


# CRAFT + MAIN™

## INSTALLATION AND USER GUIDE

### JOVIAN™ Intelligent Toilet ITL-3014T-EW

## INSTALLATION INSTRUCTIONS



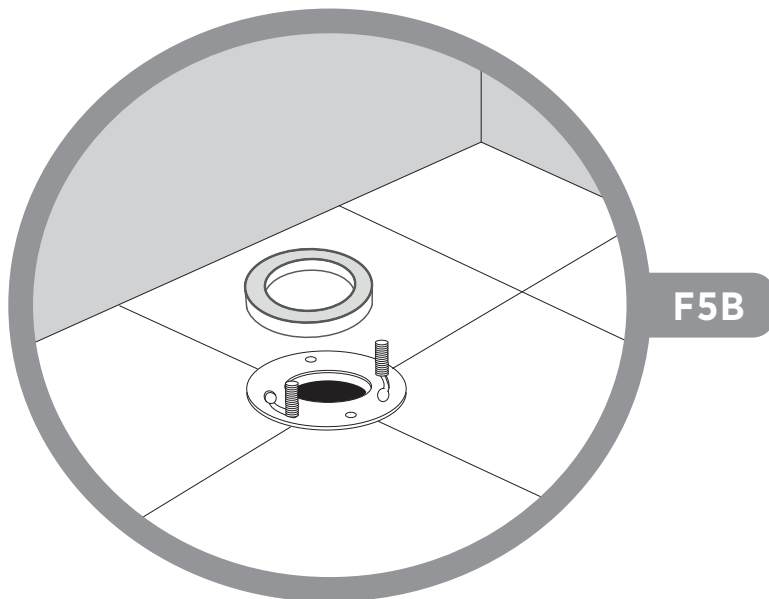
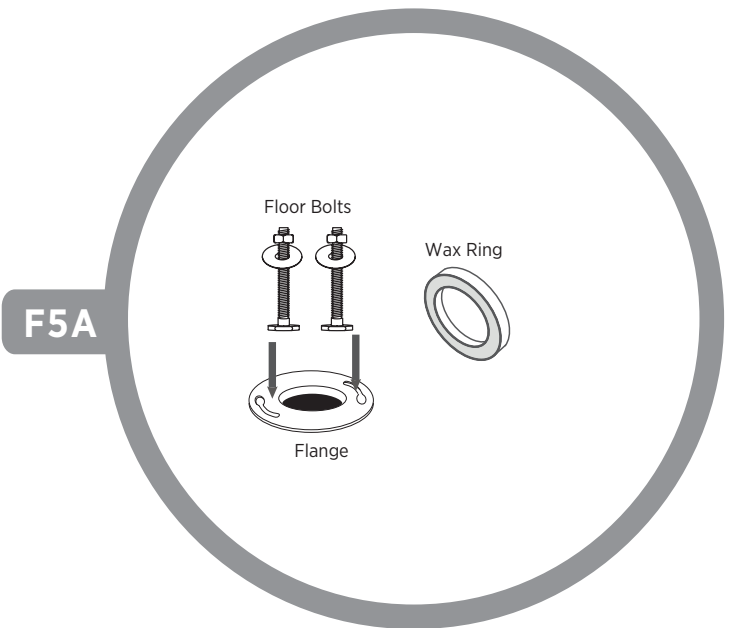
### 04 Install the intelligent toilet bottom flange anchor screw

Turn the ceramic body over laterally and place on a prepared foam surface (F4).

By visual measurement, draw a line on one lateral side of the ceramic body point of the drain outlet perpendicular to the plane against the center of ceramic bottom, and the same for the other lateral side, and draw a line perpendicular to the floor from the front central point of ceramic body.

### 05 Install the wax ring and metal floor bolts onto the floor flange

Center and press the wax ring on the floor flange. Insert the flat heads of the two metal floor bolts through the appropriate slots in the floor flange. Use the provided metal washers to secure the floor bolts on the floor flange. Metal bolts should remain vertical (F5A + F5B).

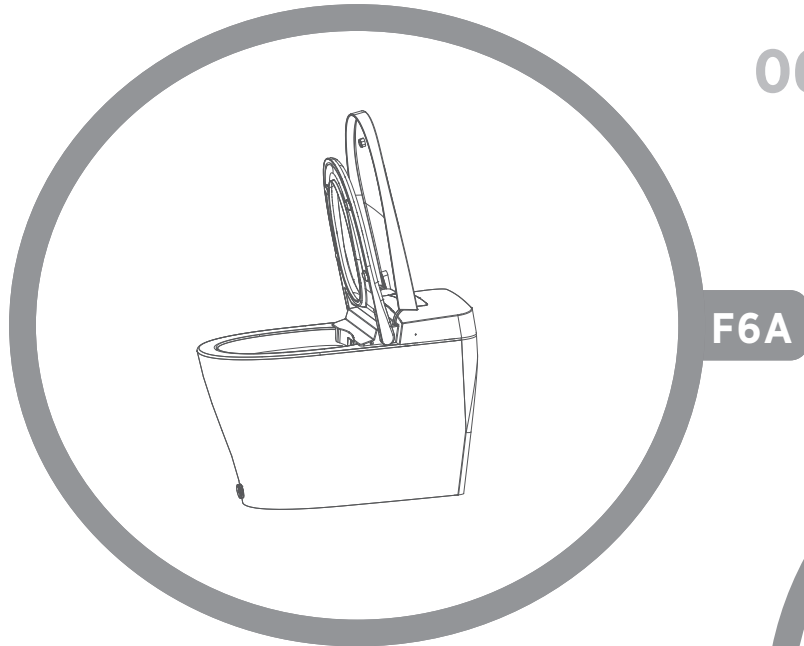


# CRAFT + MAIN™

## INSTALLATION AND USER GUIDE

JOVIAN™ Intelligent Toilet  
ITL-3014T-EW

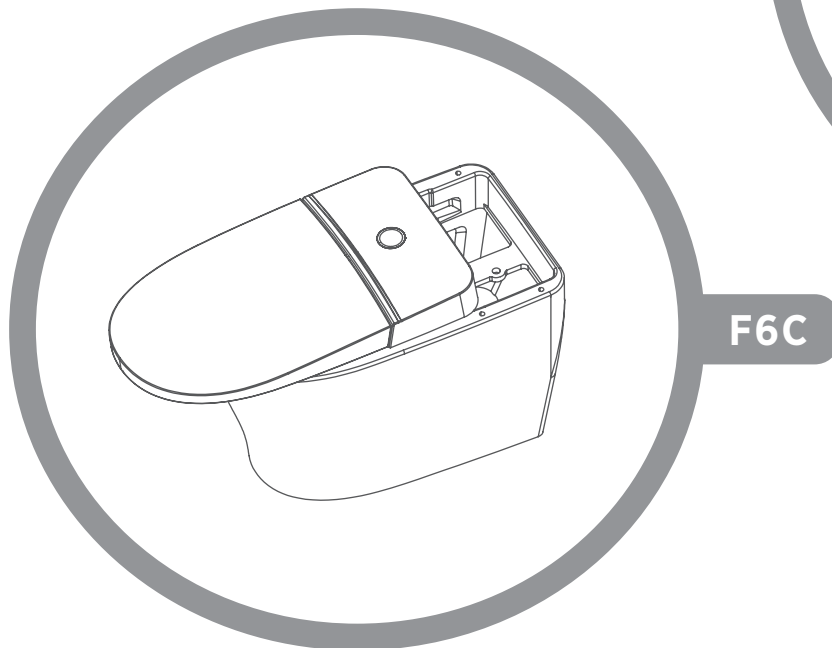
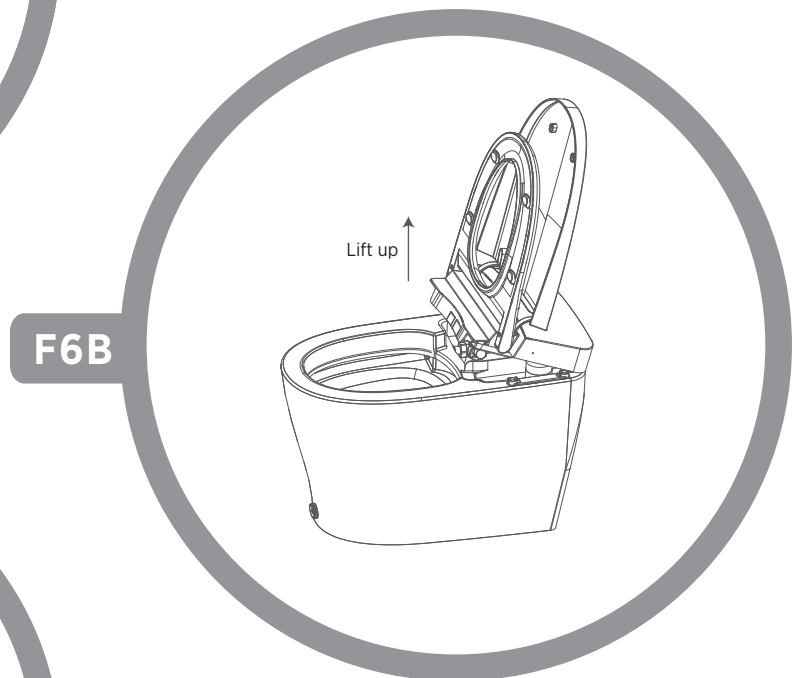
### INSTALLATION INSTRUCTIONS



#### 06 Preparing the toilet seat for toilet bowl installation

Hold both seat and cover vertical, pull upward to detach them from plastic snap connectors on the ceramic bowl. (F6A + F6B).

Lift the seat and move it forward so as to leave space to tighten the floor bolts. DO NOT remove the seat entirely. Simply move it forward to gain access to the back of the toilet bowl. (F6C)

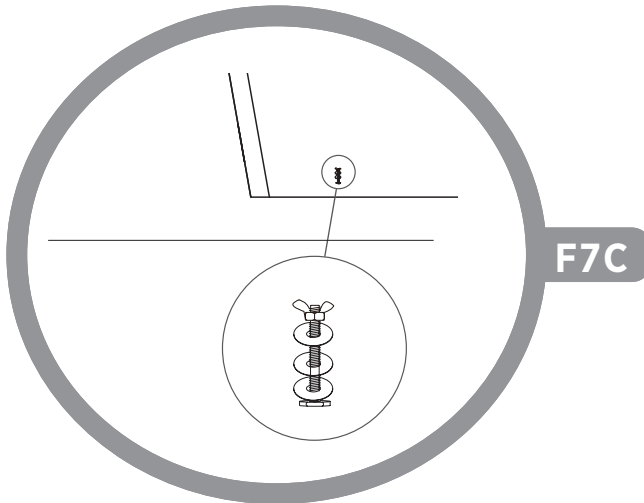
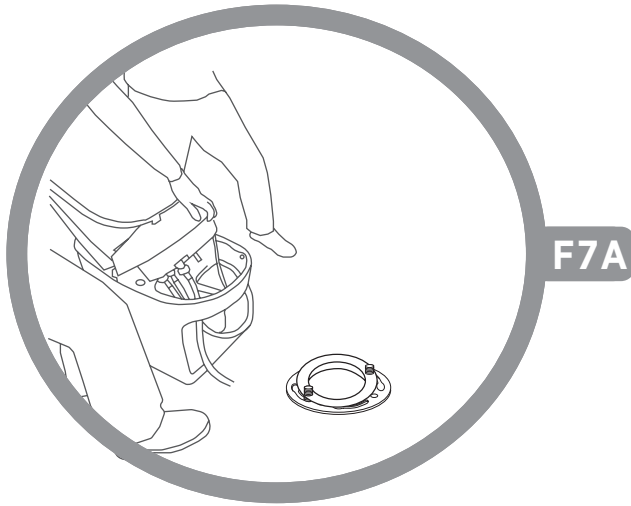


# CRAFT + MAIN™

## INSTALLATION AND USER GUIDE

### JOVIAN™ Intelligent Toilet ITL-3014T-EW

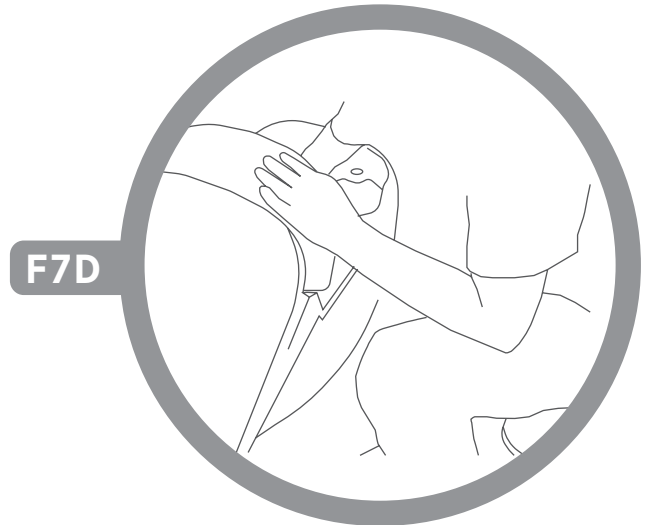
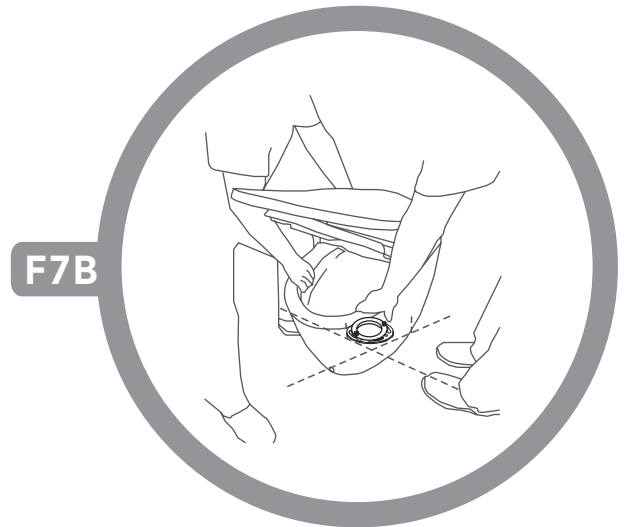
## INSTALLATION INSTRUCTIONS



## 07 Installing the toilet bowl onto floor flange

With two people lifting the toilet bowl, slowly lower the bowl onto the floor flange. Use the guide marking as the toilet reference. Make sure the floor bolts on the floor flange completely come through bolt opening on the bottom of toilet bowl by viewing from the back of the seat. Next, press down the toilet bowl firmly onto the floor so the wax ring can create the full seal. Lastly, screw down the nuts on the floor bolts by hand to secure the toilet bowl to the floor from the opening behind the back of the seat.

**Caution:** Do not move the toilet bowl around once the toilet bowl is in position. It can damage the wax ring seal and result in water leakage.

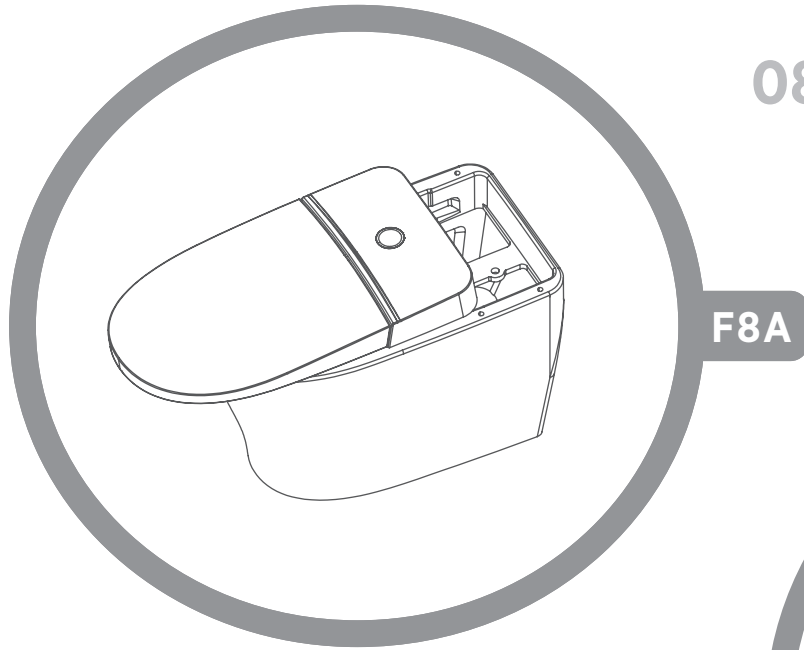


# CRAFT + MAIN™

## INSTALLATION AND USER GUIDE

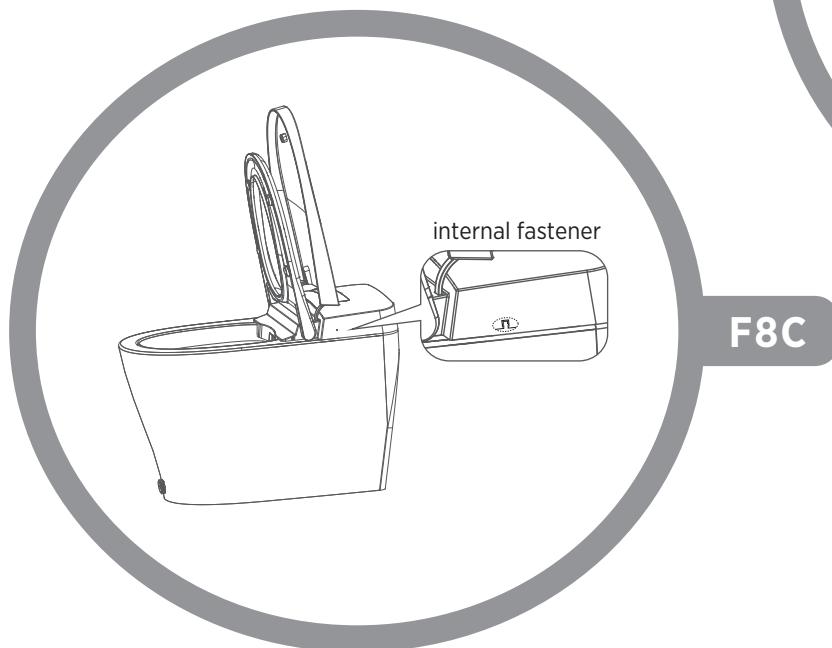
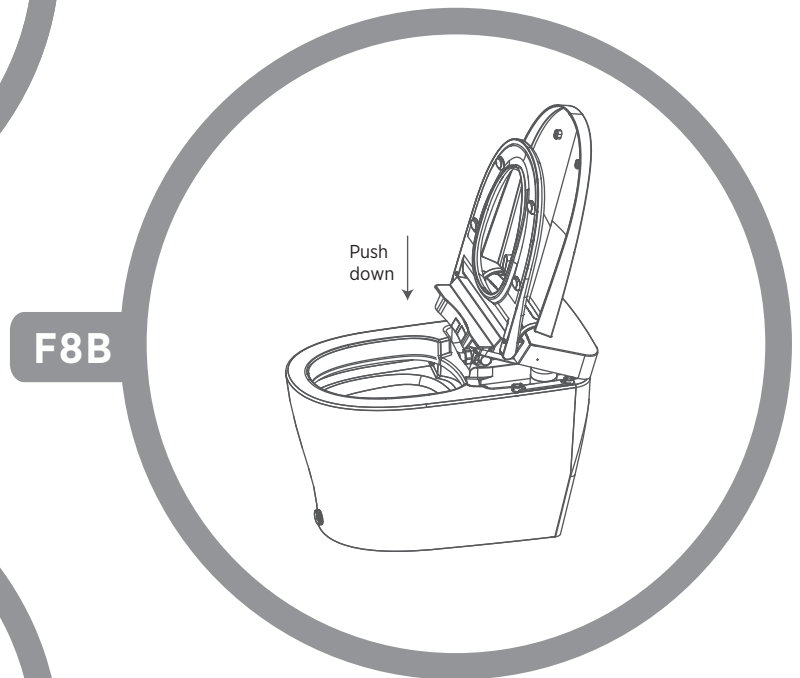
JOVIAN™ Intelligent Toilet  
ITL-3014T-EW

### INSTALLATION INSTRUCTIONS



**08 Re-attach toilet seat**  
Shift toilet seat back into position over bowl and align bolt holes in seat to appropriate holes in top of bowl. (reversing steps 6)

Press down hard to lock the snap connectors into position. (F8C)

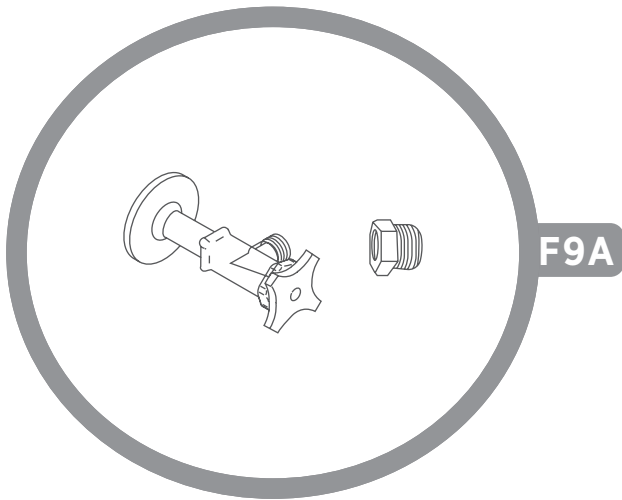


# CRAFT + MAIN™

## INSTALLATION AND USER GUIDE

### JOVIAN™ Intelligent Toilet ITL-3014T-EW

## INSTALLATION INSTRUCTIONS



### 09 Connecting the T-valve to water supply angle valve and connecting braided water supply hoses.

With the 3/8" male connection facing to the right, apply Teflon tape and screw on adapter (supplied). (F9A + F9B)

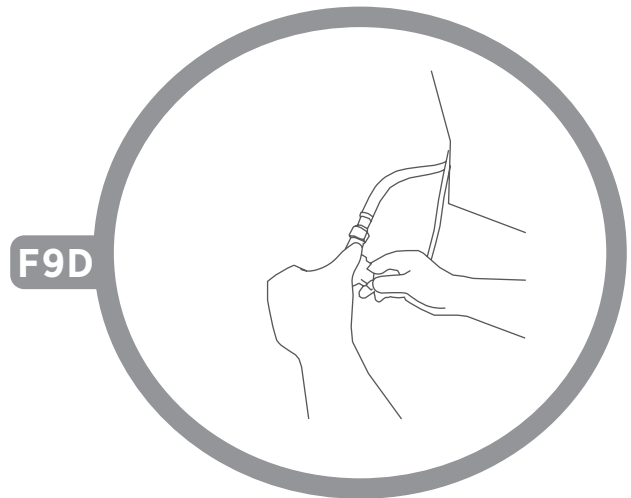
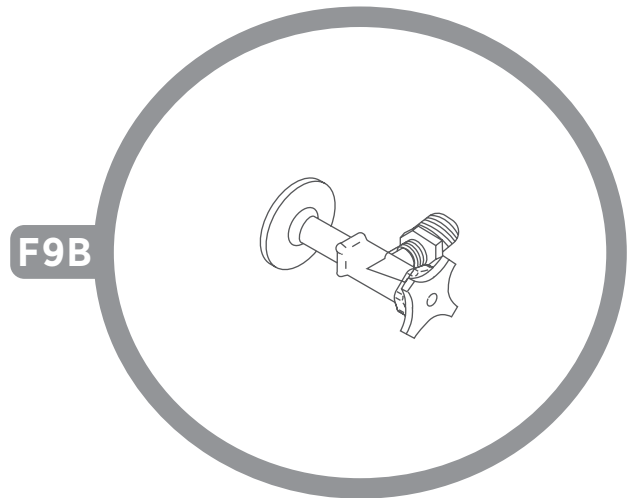
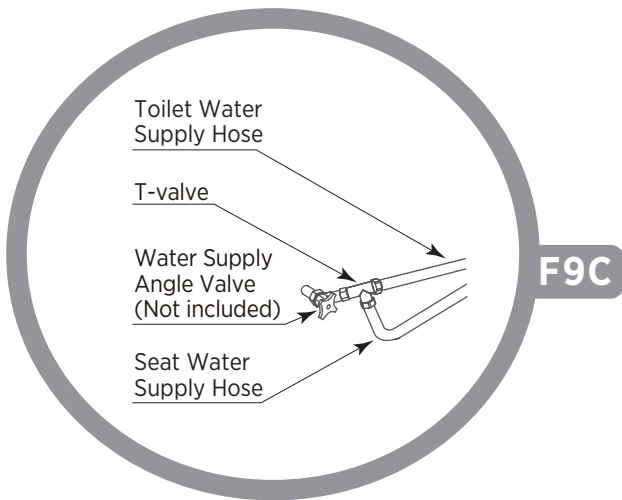
Connect T-valve to male thread on adapter (apply Teflon tape to male threads). (F9C)

Connect braided supply lines to T-valve male connections. (F9D)

- Advisable to keep water supply to the bowl on the horizontal connection and the smaller seat hose on the vertical connection.

**Note: Use Teflon Tape on all threaded connections to insure a water tight seal.**

**Note: Be 100% sure that the braided hoses match to the correct entry port of the seat itself.**



# CRAFT + MAIN™

## INSTALLATION AND USER GUIDE

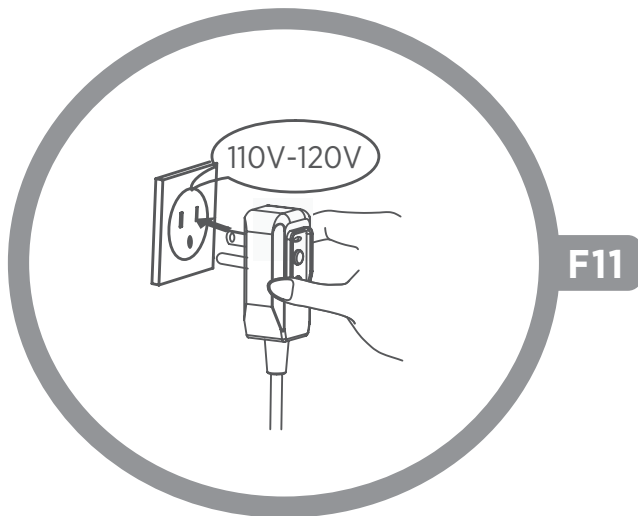
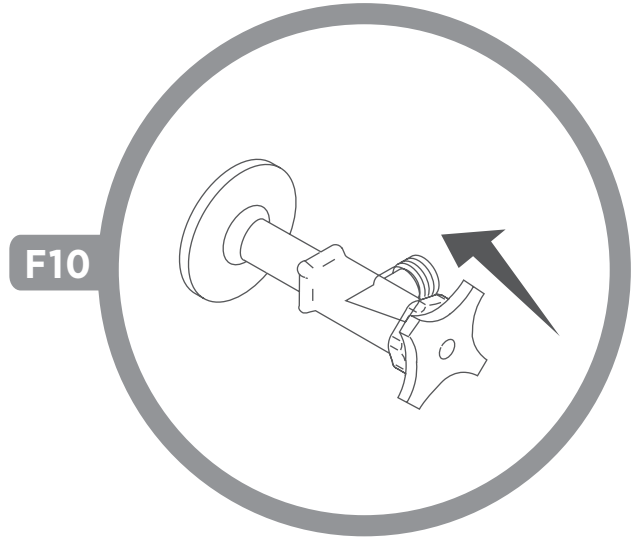
### JOVIAN™ Intelligent Toilet ITL-3014T-EW

## INSTALLATION INSTRUCTIONS

### 10 Turn on water at water supply angle valve.

Turn valve into the ON position and check for any water leaks at hose connections.

If any leaks appear, tighten connection until leaking stops. (F10)



### 11 Plug in the GFCI power cord to the electrical outlet

To confirm power is being supplied to the toilet, the power plug indicator will be on and the Foot flushing mechanism will illuminate a blue LED light.

If LED light does not turn blue, press the RESET button on the GFCI Plug. (F11)

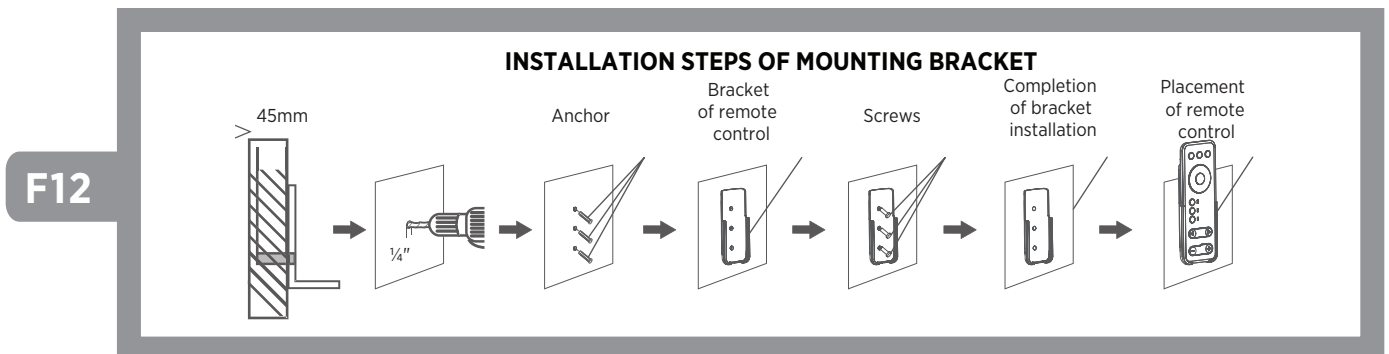
### 12 Mount the remote control on the wall

Use the supplied screws and anchors, to mount the bracket on the wall.

Open back cover of remote control and load 2 new AAA batteries. (Not included)

Put the remote control on the bracket. (F12)

#### INSTALLATION STEPS OF MOUNTING BRACKET



# CRAFT + MAIN™

## INSTALLATION AND USER GUIDE

### JOVIAN™ Intelligent Toilet ITL-3014T-EW

## INSTALLATION INSTRUCTIONS

### 13 CONGRATULATIONS!

The installation of the JOVIAN™ Intelligent toilet is complete.

Please keep the Sale Receipt and these instructions for future reference and important information.

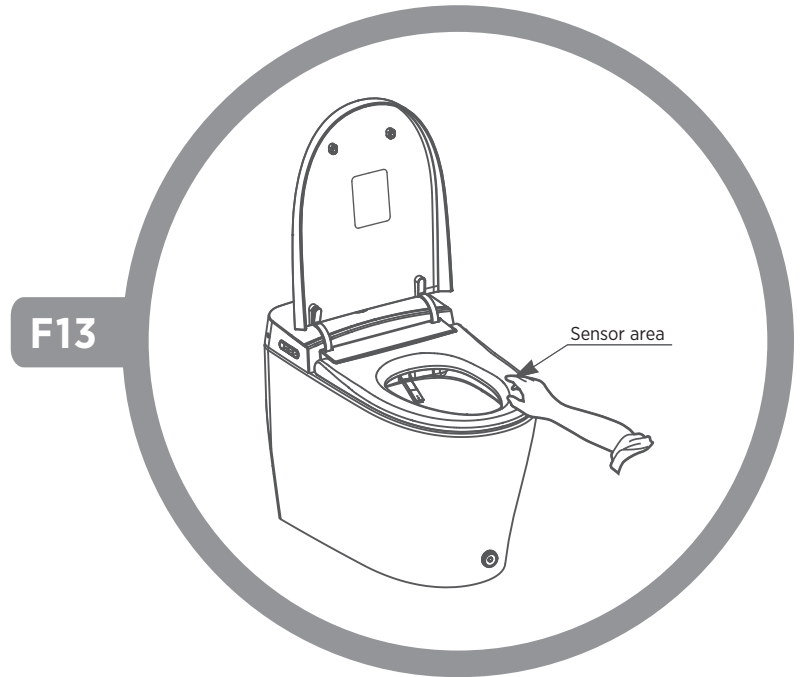
## TRIAL RUN

(TRY THE KEYS ON THE REMOTE CONTROL AND THE LATERAL BUTTONS ON THE TOILET TO SEE THAT IT IS WORKING NORMALLY.)

### Are functions of the product normal? (F13)

Are posterior wash and feminine wash (wash strength adjustment and nozzle position adjustment), adjustment of dryer temperature, water temperature, seat temperature, cleaning of nozzle and flush normal? The above actions should be checked.

Test of operations of posterior wash process: Put a hand on the sensing area, press the key for posterior wash on the remote control, cover the front end of the cleaner to block the cleaning water spray.



# CRAFT + MAIN™

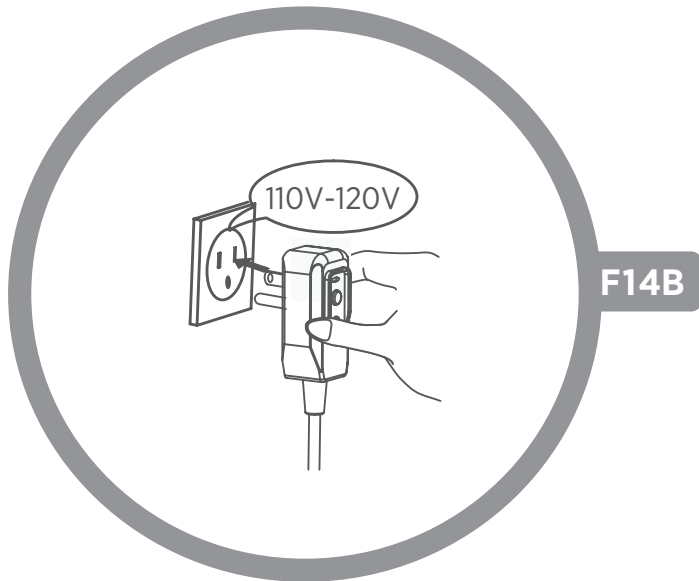
## INSTALLATION AND USER GUIDE

### JOVIAN™ Intelligent Toilet ITL-3014T-EW

## REMOTE CONTROL PAIRING

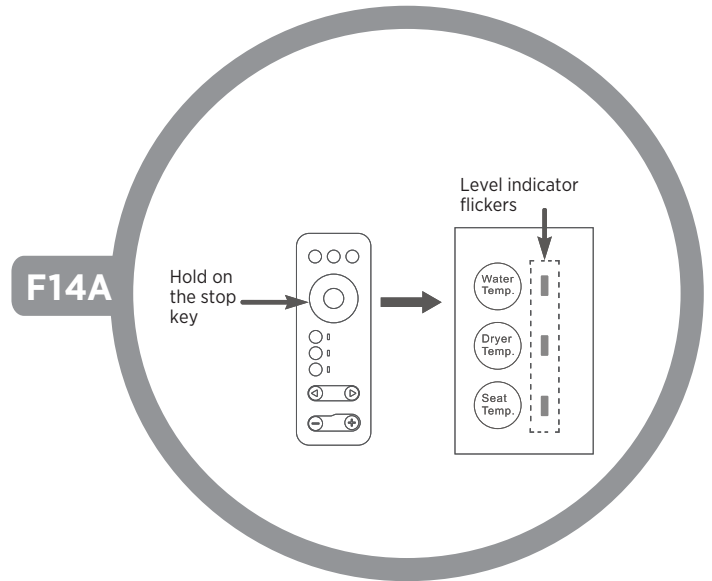
Pairing of the remote control has been completed during the production of the product. In case the remote is not working, pair as per below:

Unplug the power cord, hold on the stop key until the level indicator flickers and then let go of the stop key (F14A).

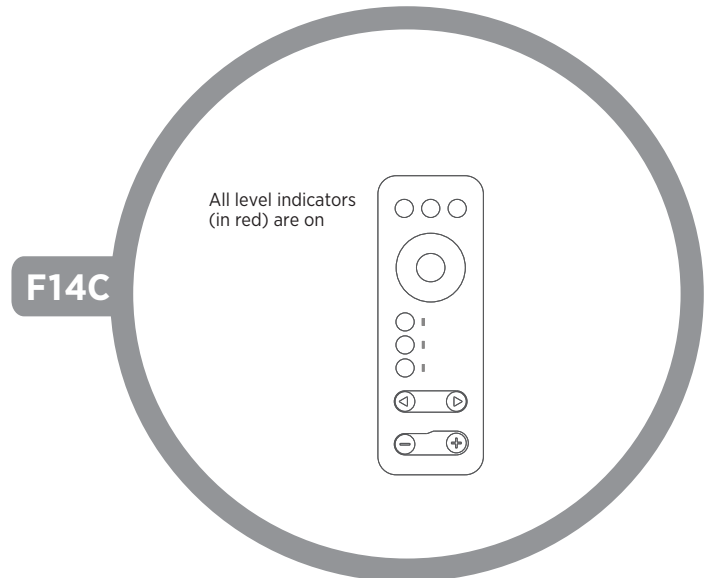


The level indicator stops flickering and is on (F14C).

Pairing is complete.



Put the remote control close to the product and insert the plug (F14B).





# CRAFT + MAIN™

## INSTALLATION AND USER GUIDE

### JOVIAN™ Intelligent Toilet ITL-3014T-EW

## REMOTE CONTROL FUNCTIONS

The Intelligent toilet automatically turns on when it senses body electrostatic induction being applied to the seat. The wash functions and dryer function will not work unless the body sensor on the seat detects body electrostatic induction (F15).

After seating, the toilet will flush a small amount to ensure the bowl is wet.

#### BIDET

Press "Bidet" key.

- Water flow for wash is jetted out of the three holes at the front end of the nozzle for feminine area washing.  
Press it again to turn off oscillating function.

#### POSTERIOR

Press "Posterior" key.

- Water flow for wash is jetted out of the single hole at the front end of the nozzle for posterior washing.  
Press it again to turn off oscillating function.

#### FLUSH

Press "Flush" key.

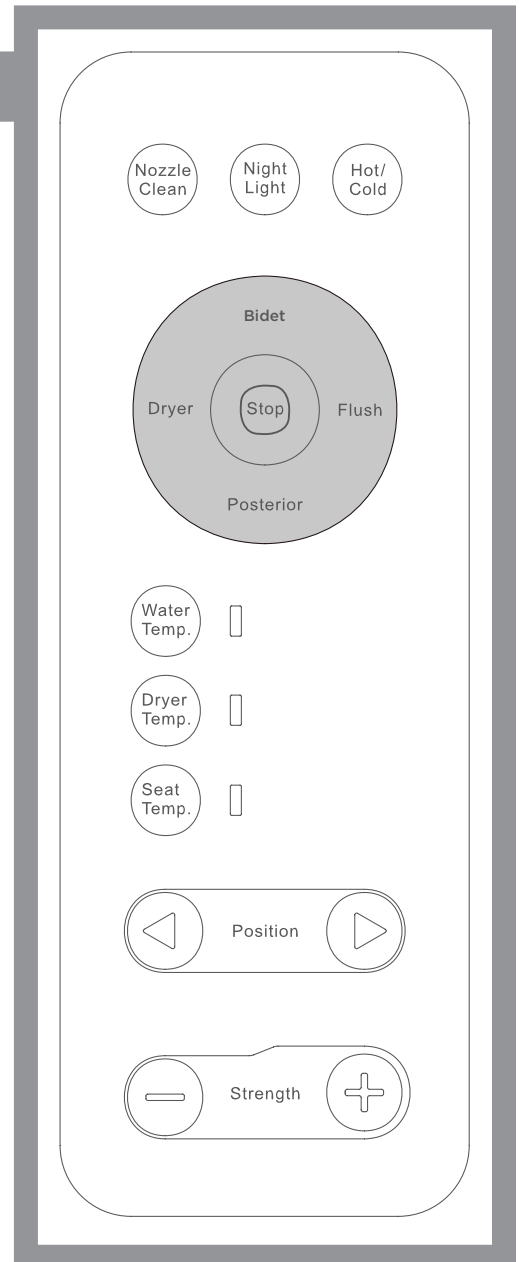
- Activate a flush function.

#### STOP

Press "Stop" key.

- Stops all washing and drying function currently running.
- "Posterior" and "Bidet" wash stops automatically after 4 minutes.

F15



# CRAFT + MAIN™

## INSTALLATION AND USER GUIDE

### JOVIAN™ Intelligent Toilet ITL-3014T-EW

## REMOTE CONTROL FUNCTIONS

### HOT/COLD

Press "Hot/Cold" key, and Hot/Cold function will be enabled or disabled.

- In wash mode, press Hot/Cold key to begin alternating 15 seconds hot/ 5 seconds cold.
- This function can only be used in washing mode.

### DRYER

Press "Dryer" for drying washed area.

- Press dryer for drying washed area. When it is switched to warm-air temperature, press "Dryer Temp." key, current temperature level will be displayed when the key is pressed for the first time. When it is pressed again, it will adjust temperature level, and proper temperature can be set.
- When the key is pressed, display indicator is switched among off (off), low (blue) medium (purple), and high (red).
- Warm air stops automatically after 4 minutes.

### Reference

After washing, press the Dryer key for faster drying.

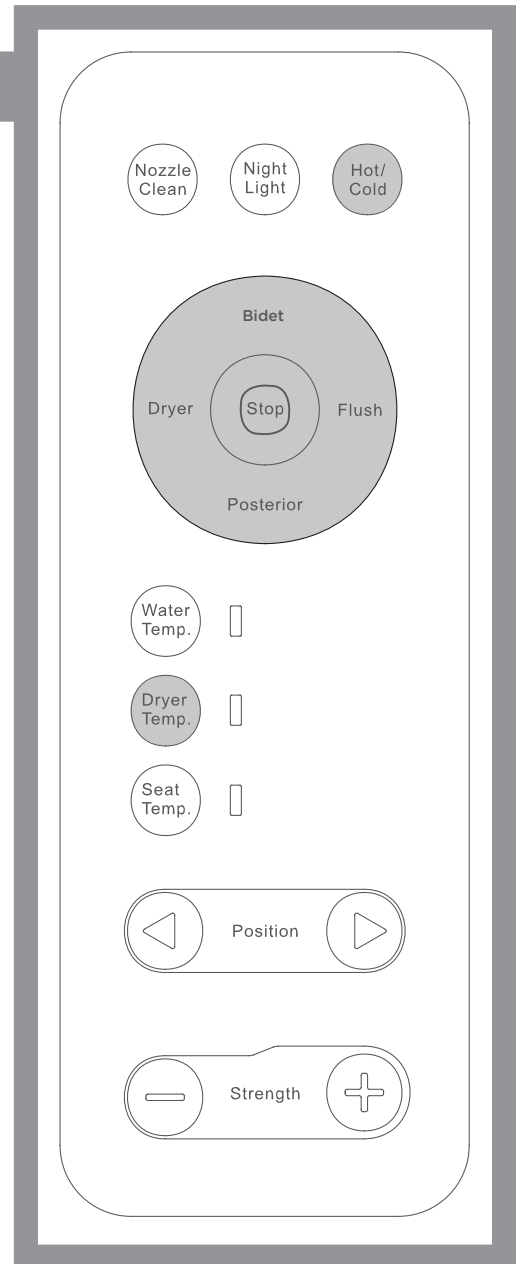
### Warning

- Use the "Low Level" temperature setting for children, elderly or people with sensitive skin.

Do not use the product for a long time, or low temperature burning may occur.

**Note** - Remote control has memory function. When settings are changed, they will be remembered for the next operation.

F16



# CRAFT + MAIN™

## INSTALLATION AND USER GUIDE

### JOVIAN™ Intelligent Toilet ITL-3014T-EW

## REMOTE CONTROL FUNCTIONS

### WATER TEMPERATURE

Press the "Water Temp" key to adjust water temperature.

- The current temperature level will be displayed when the key is pressed for the first time. Pressing a second time will adjust the water temperature. Continue pressing until the desired temperature is achieved.
- Temperature sequence is off (off), low (blue) medium (purple), and high (red).

### SEAT TEMPERATURE

Press "Seat Temp." key to adjust seat ring temperature.

- Current temperature level will be displayed when the key is pressed for the first time. Pressing a second time will adjust the seat temperature. Continue pressing until the desired temperature is achieved.
- Temperature sequence is off (off), low (blue) medium (purple), and high (red).

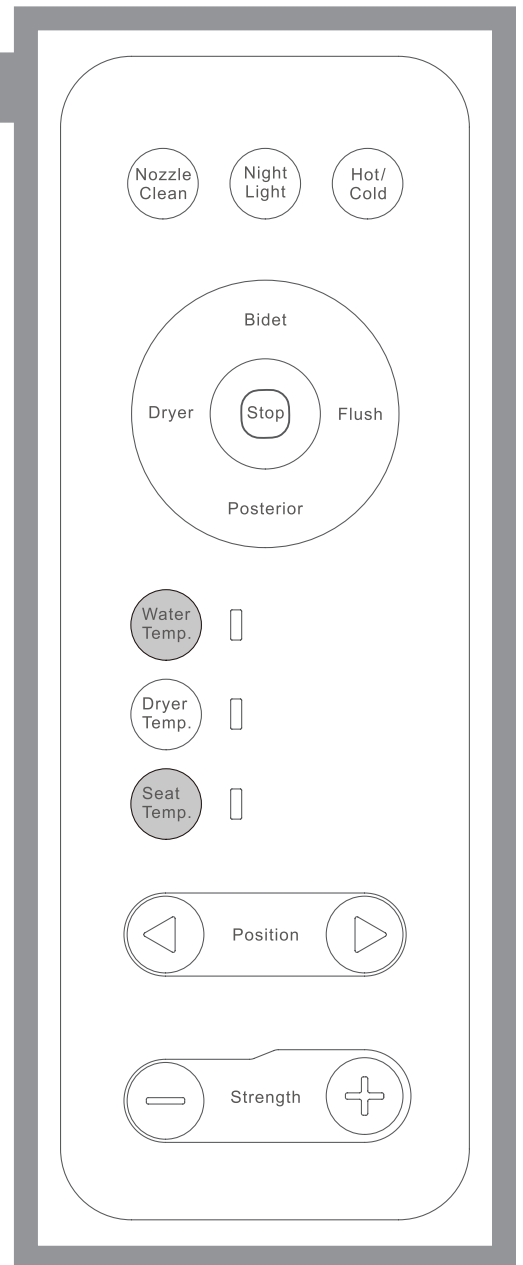
### Warning

- Use the "Low Level" temperature setting for children, elderly or people with sensitive skin.

Do not use the product for a long time, or low temperature burning may occur.

**Note** - Remote control has memory function. When settings are changed, they will be remembered for the next operation.

F17



# CRAFT + MAIN™

## INSTALLATION AND USER GUIDE

### JOVIAN™ Intelligent Toilet ITL-3014T-EW

## FUNCTIONS FOR USE

### NOZZLE CLEAN

Press "Nozzle Clean" key. (Dual functions)

- The nozzle is extended for removal and manual cleaning. This function can only be used when no body part or other objects are in contact with the seat sensor area.

### NIGHT LIGHT

Press "Night light" key.

- Night light will turn on or off.

### SPRAY POSITION

Press "Position" key.

- Nozzle can be adjusted back and forth to 5 different positions by pressing arrow keys.

### SPRAY STRENGTH

To change wash strength, press "+" or "-" key.

- Washing strength can be adjusted for 3 levels. Press key until water flow strength is found.



### Warning

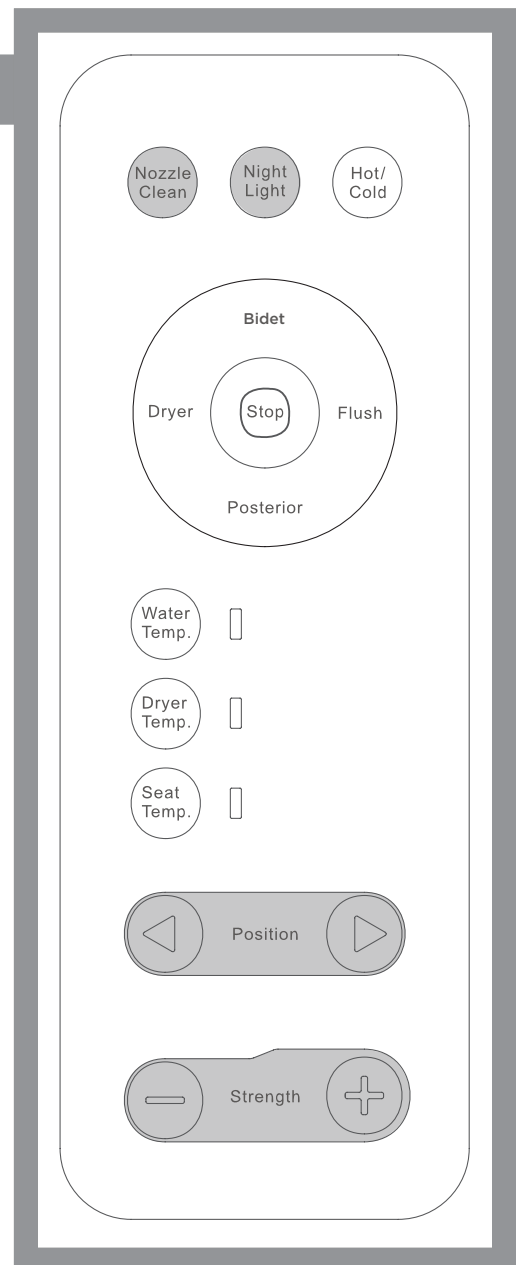
- Use the "Low Level" spray strength setting for children, elderly or people with sensitive skin.

**Note** - Remote control has memory function. When settings are changed, they will be remembered for the next operation.

### Note

- When water pressure is low, jet spray will be reduced resulting in a weak washing strength. Please increase spray strength (see above).
- To reduce water splash please sit as far back on the toilet seat as comfortably possible.

F18



# CRAFT + MAIN™

## INSTALLATION AND USER GUIDE

### JOVIAN™ Intelligent Toilet ITL-3014T-EW

## PUSH BUTTON FUNCTIONS

### POWER/STOP

Press "Power/Stop" key to turn on the device. Hold "Power/Stop" key for 3 seconds to turn off the device.

- Water spray wash and dryer can be turned off at any time by pressing Power/Stop button.

### POSTERIOR

Press "Posterior" key.

- When a person is seated and sensed, press "Posterior" key. The sequence begins with posterior wash (1.5 min), followed by dryer (4 min), and automatic flush. Press the key again during wash to skip to dryer mode sooner.

### FEMININE

Press "Feminine" key.

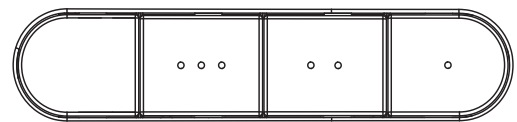
- When a person is seated and sensed, press "Feminine" key. The sequence begins with feminine area wash (1.5 min), followed by dryer (4 min), and automatic flush. Press the key again during wash to skip to dryer mode sooner.

### MANUAL FLUSH

Press "Flush" key.

- Toilet will flush.

F19



Power/Stop    Posterior    Feminine    Flush

# CRAFT + MAIN™

## INSTALLATION AND USER GUIDE

### JOVIAN™ Intelligent Toilet ITL-3014T-EW

## ADDITIONAL FUNCTIONS

### UV STERILIZATION

Sterilization will run automatically.

- When a person leaves the seat after being seated and using the spray wash function, the UV sterilization will automatically run for 3 minutes. During UV sterilization, the indicator light near the nozzle will be purple. If a person is sensed again during the process, the UV sterilization will stop, and the indicator will turn off.

### AUTOMATIC FLUSH

The human body leaves the seat sensor area.

- When a person leaves the seat after being seated, the device will flush automatically.

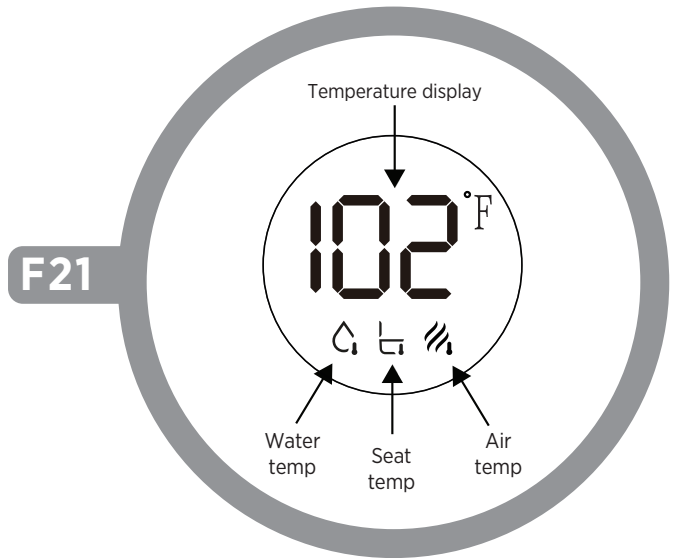
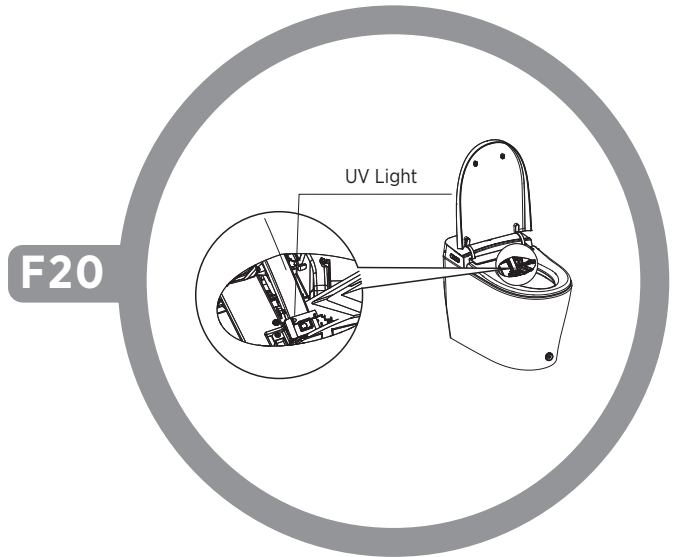
### FOOT FLUSH

Move closely to the toilet and lightly touch the button with your foot to flush the toilet.

- When seated on the toilet, the toilet will not flush.
- Do not touch the button multiple times or damage could occur.
- During the flush process, the Posterior and Bidet/Feminine area wash functions cannot be used.

### DIGITAL TEMPERATURE DISPLAY

The temperature display is set at Fahrenheit only. It displays water temperature, seat temperature, and dryer air temperature. The temperature is directly displayed in digital mode. When seated, it will display the Seat Temp. The Water Temp is shown when the water cleaning nozzle is activated. Finally, the Air Temp is displayed when the warm air drying mode is activated. This is an automatic feature.



# CRAFT + MAIN™

## INSTALLATION AND USER GUIDE

### JOVIAN™ Intelligent Toilet ITL-3014T-EW

## OPERATION OF THE MANUAL FLUSH SYSTEM

Should a power outage occur, the remote control will not operate the toilet.

Lift the seat cover so that the underside is facing you. You will locate the battery compartment as shown in figure F22.

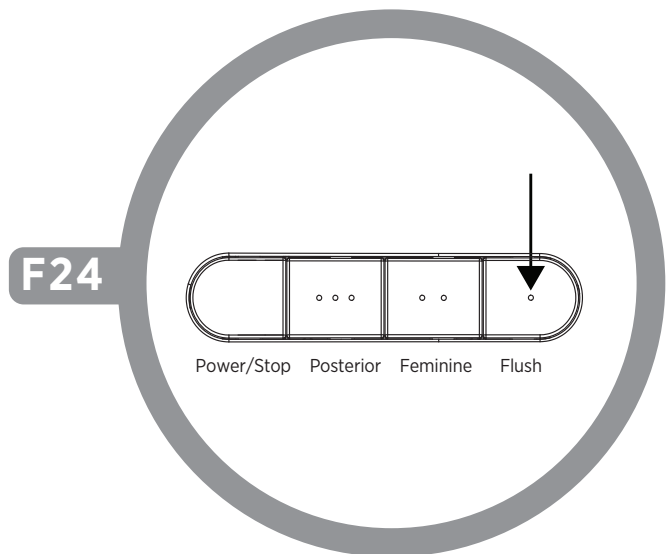
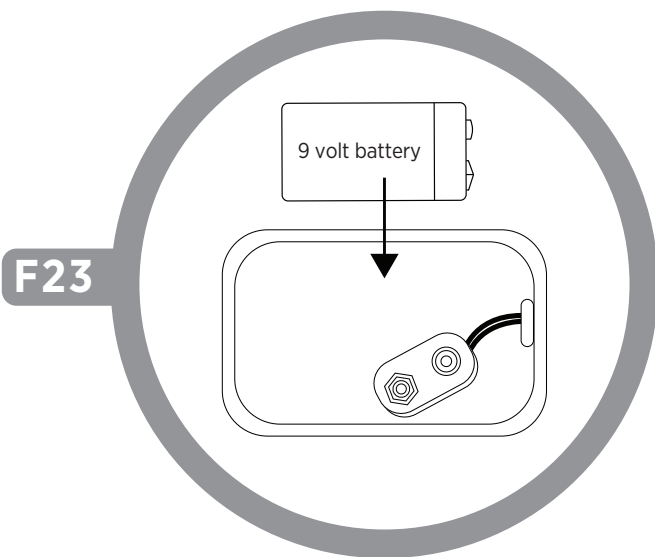
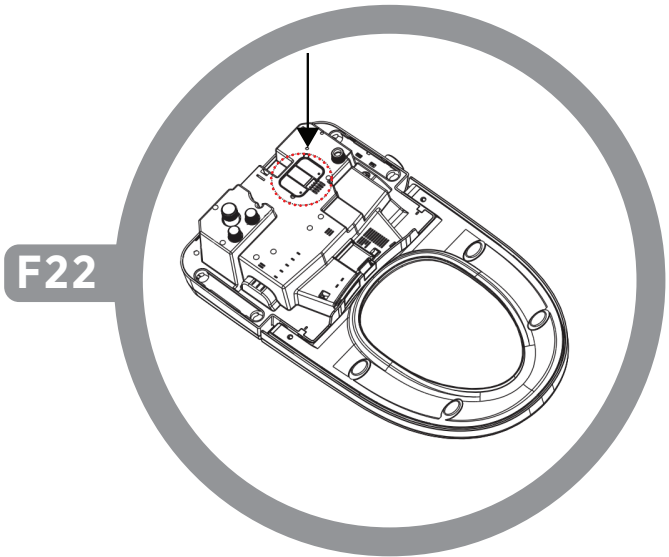
Remove the cover plate of the battery compartment with a Philips (Cross) screwdriver. The plate will come right off.

Attach a 9 volt battery to the connection that has been exposed. Insert the battery into the compartment and reattach the cover plate verifying that there is a good water tight seal with the gasket that is included. figure F23.

**Note** - Please make sure that you use only 9 volt certified batteries and that it is connected properly to the plug itself. Failure to do this will void the warranty. Batteries are not included.

**Note** - This 9 volt battery is a separate entity. It is recommended that you remove / replace should a power outage occur. Only use standard wall electricity on a regular basis.

Once the 9 volt battery is installed, activate the flushing function by pushing the flush button on the main panel once. This will have the unit realize that it is in power failure manual mode. Figure F24.



# CRAFT + MAIN™

## INSTALLATION AND USER GUIDE

### JOVIAN™ Intelligent Toilet ITL-3014T-EW

## CLEANING AND MAINTENANCE

To ensure normal use of the product, please clean and maintain the product regularly.

### Note

- Disconnect the power source prior to maintenance, close water supply angle valve and turn off water supply.
- Rinsing this product with water is prohibited in the course of maintenance.

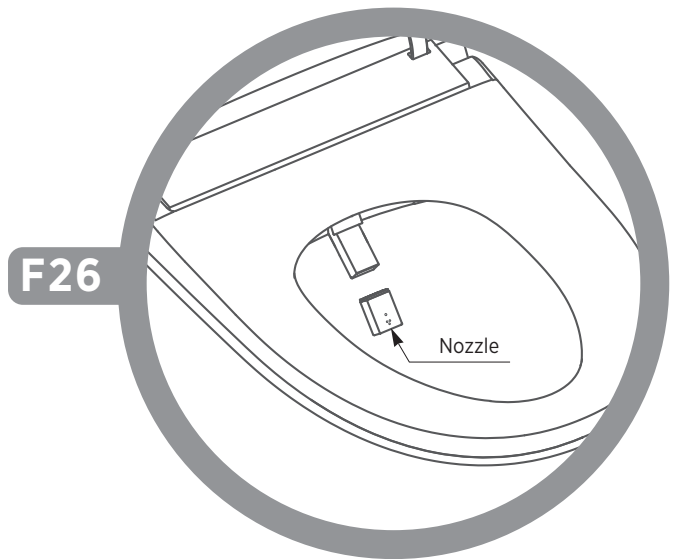
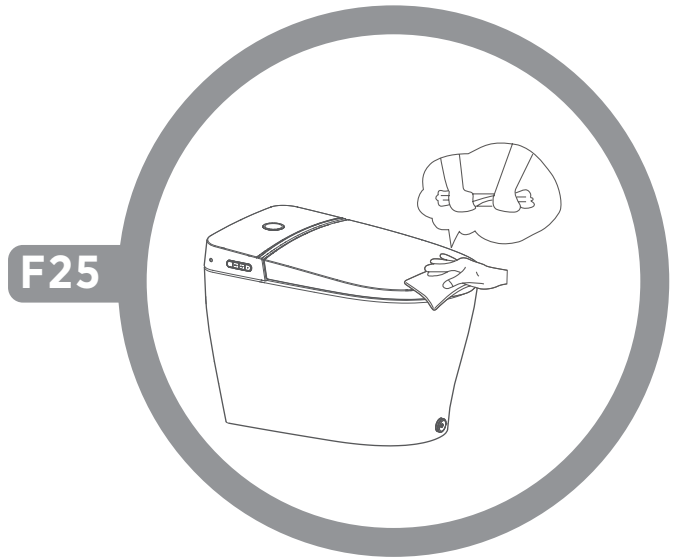
### Method of Cleaning and Maintenance of Plastic Products and Ceramic Body (figure F25)

- When any dust or dirt is attached to the product, wipe the product a soft wet cloth.
- The ceramic bowl can be cleaned with a soft brush, cloth or wet sponge with detergent.
- Do not use harsh chemicals or detergent on any part of the intelligent toilet.

### Cleaning and Maintenance of Nozzle (figure F26)

In the power-on and seat-leaving state, press the nozzle cleaning key on the remote controller, and the nozzle will stick out automatically. If there's any dirt on the nozzle hole, support the cleaner gently with one hand, and clean it with a clean unused toothbrush.

- Do not clean with excessive force, or the nozzle may be damaged.
- The nozzle can be removed to clean the internal scale and impurities. Do not pull too hard when removing. After cleaning, replace the nozzle and press the "Stop" key or "Nozzle Clean" key on the remote control to retract the cleaning wand.





# CRAFT + MAIN™

## INSTALLATION AND USER GUIDE

### JOVIAN™ Intelligent Toilet ITL-3014T-EW

## TROUBLE-SHOOTING

### When any issue is found

If issues arise, read the list below first for trouble-shooting tips. If the issues do not resolve, please contact our customer service team.

### Power Switch

Symptom	Analysis of Issue	Solution
The product does not work	Check if the power switch/ socket is loose.	Check the circuit is active.
	Check if power is leaked (indicator for power leakage protective plug is not on)	Pull out the power plug from the socket, and insert it again. Press the reset switch for the power leakage protective switch, if it does not work yet, remove and replace the power plug.

### Posterior and Feminine wash

Symptom	Analysis of Issue	Solution
No water comes out of the nozzle	Check if water supply is stopped	Wait for recovery of water supply
	Check if the angle valve is closed	Open the angle valve
	Check if the water intake hose is kinked	Remove the kink of the water intake hose
Wash strength is weak	Check if water wash pressure is set at the lowest level	Adjust water pressure as per the manual
Water leaks out of nozzle	Abnormal operation	Pull out the plug for one minute and then connect to power
	The electromagnetic solenoid valve does not work	Contact our Customer Service team for further help. Call 1-888-620-3667 (USA), 1-888-256-7551 (CANADA)
Water temperature is not sufficient	Check if water temperature is set at a low level	Adjust water temperature as per the manual
Wash function is not functioning	Check if there's a solid object supporting the seat under the seat	Remove the solid object
	Seat sensor does not work	Contact our Customer Service team for further help. Call 1-888-620-3667 (USA), 1-888-256-7551 (CANADA)

# CRAFT + MAIN™

## INSTALLATION AND USER GUIDE

### JOVIAN™ Intelligent Toilet ITL-3014T-EW

## TROUBLE-SHOOTING

### Dryer temperature

Symptom	Analysis of Issue	Solution
Air is cold for warm air setting	Check if dryer is set to “off”	Adjust dryer temperature as per the manual
	Check if heating element for warm air is damaged	Contact our Customer Service team for further help. Call 1-888-620-3667 (USA), 1-888-256-7551 (CANADA)

### Seat temperature

Symptom	Analysis of Issue	Solution
Seat temperature is too low/not heated	Check if seat temperature is set to “off”	Adjust seat temperature as per the manual

### Remote control

Symptom	Analysis of Issue	Solution
Blue indicator for water temperature flickers	Battery is too low	Replace with new battery
Remote control does not work	Check if positive and negative poles of the battery are connected reversely	Reinstall batteries matching negative and positive poles.
Manual Flush does not work	Check if battery is installed correctly or if the battery has enough power	Replace 9 volt battery (Not included)

### Toilet

Symptom	Analysis of Issue	Solution
Waste cannot be flushed thoroughly	Water pressure at home is too low	Check if the water volume is less than 0.8gal/3L per 10 seconds
	Water supply hose is kinked	Observe if the connecting pipe is kinked or not, replace hose and reconnect.
There's no siphon when water pressure is normal, and waste cannot be flushed thoroughly	The sewage pipe is blocked	Contact a qualified plumber to clear drain lines
Water pressure is normal, but flush does not work	The flush valve is at fault	Contact our Customer Service team for further help. Call 1-888-620-3667 (USA), 1-888-256-7551 (CANADA)

### Others

Symptom	Analysis of Issue	Solution
The seat cover/seat falls down too quickly	Function of soft close hinge does not work	Contact our Customer Service team for further help. Call 1-888-620-3667 (USA), 1-888-256-7551 (CANADA)
Various functions work in a sequence in a cycling way	Entered engineering mode by mistake	Turn the power off and wait for one minute before connecting it again.

# CRAFT + MAIN™

---

## WARRANTY REGISTRATION:

To receive warranty coverage for your purchase, you must complete the warranty registration form found on our website within 30 days of purchase, or provide valid proof of purchase detailing the date and location of your purchase.

**U.S. CUSTOMERS:** [www.craftandmain.com/warranty](http://www.craftandmain.com/warranty)

**CANADIAN CUSTOMERS:** [www.craftandmain.ca/179-2](http://www.craftandmain.ca/179-2)

## CUSTOMER SERVICE:

**U.S. CUSTOMERS:** 1-888-620-3667

Monday - Friday, 7:00 a.m. - 5:00 p.m., CT

[www.craftandmain.com](http://www.craftandmain.com) | [customerservice.us@fgi-industries.com](mailto:customerservice.us@fgi-industries.com)

**CANADIAN CUSTOMERS:** 1-888-256-7551

Monday - Friday, 8:00 a.m. - 5:00 p.m., ET

[www.craftandmain.ca](http://www.craftandmain.ca) | [customerservice.cdn@fgi-industries.com](mailto:customerservice.cdn@fgi-industries.com)

---

## LIMITED WARRANTY

CRAFT + MAIN™ plumbing products are covered by the FGI Industries, Ltd. **5 year** (Vitreous China) **and 1 year** (Parts and Fittings) Limited Warranty, which is as follows:

FGI Industries, Ltd. warrants its products to be free from defects in material or workmanship for **5 years** (Vitreous China) **and 1 year** (Parts and Fittings) from the date of purchase of the product by the original purchaser.

If inspection of this product, within **5 years** (Vitreous China) **and 1 year** (Parts and Fittings) after its initial purchase, confirms that it is defective in materials or workmanship, FGI Industries, Ltd. will repair or at its option, exchange the product for a similar model. FGI Industries, Ltd. provides no warranties or guarantees beyond those in this limited warranty.

This limited warranty applies only to the original purchaser and installation of these products. All de-installation and re-installation and transportation costs or charges incidental to warranty services are to be borne by the owner. In no event will FGI Industries, Ltd. be liable for the cost of repair or replacement of any installation materials, including but not limited to, tiles, marble etc. FGI Industries, Ltd. will not be responsible for and this warranty does not cover and specifically excludes any liability to the purchaser or any third party for consequential or incidental damages, all of which are hereby expressly disclaimed, or the extension beyond the duration of this warranty of any implied warranties, including those of merchantability or fitness for an intended purpose.

This warranty does not apply to local building code compliance. Since local building codes vary considerably, the purchaser of this product should check with a local building or plumbing contractor to ensure local code compliance before installation.

FGI shall not be responsible or liable for any failure or damage to its toilet tank trim, plumbing fittings, or china products caused by the use of either chloramines or high concentration of chlorine, lime/ iron sediments and/or other minerals not removed from public water during the treatment of public water supplies or caused by toilet tank type cleaners containing chlorine, calcium hypochlorite, and / or other chemicals.

This warranty is void if the product has been moved from its initial place of installation; if it has been subjected to faulty maintenance, abuse, misuse, accident, or other damages; if it was not installed in accordance with FGI Industries, Ltd. instructions; or if it has been modified in a manner inconsistent with the product as shipped by FGI Industries, Ltd.

### This Warranty excludes the following:

1. Replacement of discolored or damaged parts as a result of strong cleaning or disinfecting chemicals.
2. Damage to, or malfunction of the unit resulting from improper installation, negligence, misuse, abuse or tampering by an unauthorized repair personnel.
3. Under no circumstances will FGI Industries, Ltd. be held liable for any loss or damage directly, consequentially or incidentally arising out of the misuse of, or inability to use this product.
4. Damage or loss resulting from electrical surges, electrical outages, lightning strikes or other acts are not covered by this warranty.
5. The owner hereby releases FGI Industries, Ltd. from any and all claims for bodily and/or property damage resulting from misuse, improper installation, inadequate maintenance, or exposure to extreme temperatures, strong chemicals, or high water pressure.

**Note:** Some states or provinces do not allow the limitations on an implied warranty, and some states/provinces do not allow exclusions or limitations regarding incidental or consequential damages, so the above limitations may not apply to you. This warranty gives you specific legal rights, and you may have other rights, which vary from state to state or province to province. No person is authorized to change, add to, or create any warranty or obligation other than that set forth herein.

# CRAFT + MAIN™

## INSTALLATION AND USER GUIDE

### JOVIAN™ Intelligent Toilet ITL-3014T-EW

## SPECIFICATIONS

Rated Voltage		110V - 120V
Rated frequency		60Hz
Rated consumption power		Water intake temperature 59°F/15°C, power 1050W
Water intake temperature		39°F/4°C - 95°F/35°C
Range of water intake pressure for use	Min. necessary water pressure	25 psi, ensuring a flow of water at least 4.8gal/18L per minute
	Max. water pressure	80 psi (in resting state)
Toilet	Rough-in	12 in
Wash	Heating method	Transient heating
	Temperature of warm water	Off / about 93.2°F /34°C - 102.2°F /39°C (4 levels)
	Safety unit	Thermostat series, thermal fuse, flow detection
Dryer	Warm air temperature	Off / about 95°F /35°C - 131°F /53°C (4 levels) device
	Wind speed	Approximately 4 meters /13 feet per second +/- airflow
	Safety unit	Bimetal thermostat series, thermal fuse
Seat	Seat temperature	Off /about 93.2°F /34°C - 104°F /40°C (4 levels)
	Safety unit	Thermal fuse
Remote control	Dimension	7.5 in L x 2 in W x 0.87 in H
	Power supply	2 AAA batteries (not included)
Manual Flush Override	Power supply	one 9volt battery (Not included)
Water-proof grade		IPX4
Length of power cable		Approx. 47 in
Dimensions of the product		27 in L x 15.125 in W x 18.625 in H