

ITL-3014T-EW

1.28 GPF Intelligent Toilet

Includes: Remote Control, Floor Bolts, and Wax Ring

Specifications:

- White vitreous china
- Low profile tankless design
- 1.28Gpf / 4.8Lpf
- Elongated 15-3/4" height bowl
- Rimless design flush
- 12" rough-in
- Bidet with UV sterilization for spray nozzle
- Adjustable temperature slow-close seat
- Adjustable water & dryer temperatures
- Voltage: 110V - 120V
- Water pressure: 25-80psi
- Remote control (2 AAA batteries not included)
- Manual flush override (9volt battery not included)
- Additional foot flush control
- Illuminated night light
- 100% factory flush tested



Notes:

Important: Dimensions of fixtures are nominal and may vary within the range of tolerances established by ANSI standard A112.19.2. These measurements are subject to change or cancellation. No responsibility is assumed for use of superseded or voided pages.

Overall Dimensions:

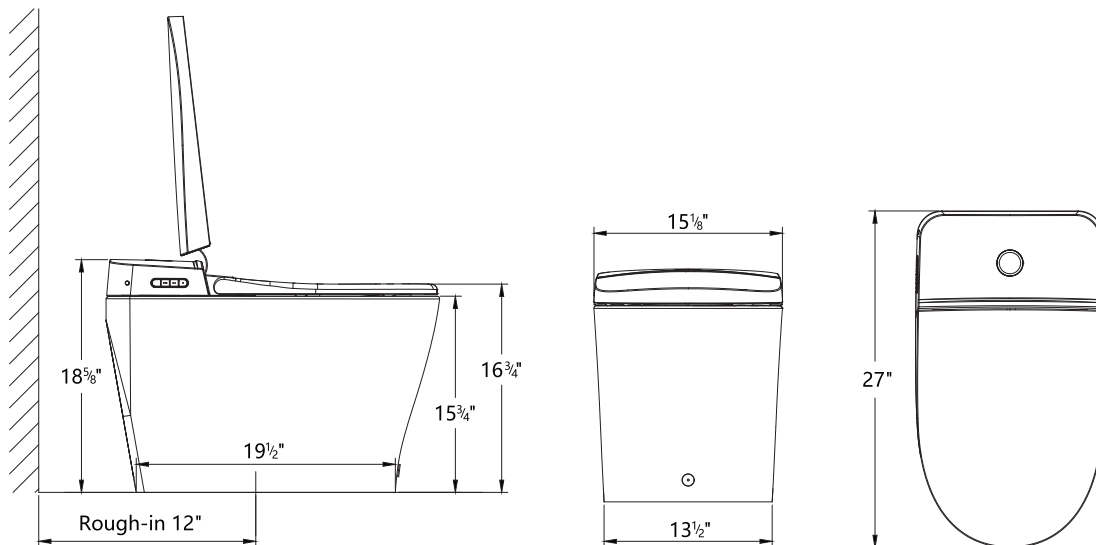
384mm (W) x 686mm (D) x 473mm (H)

15 1/8" (W) x 27" (D) x 18 5/8" (H)

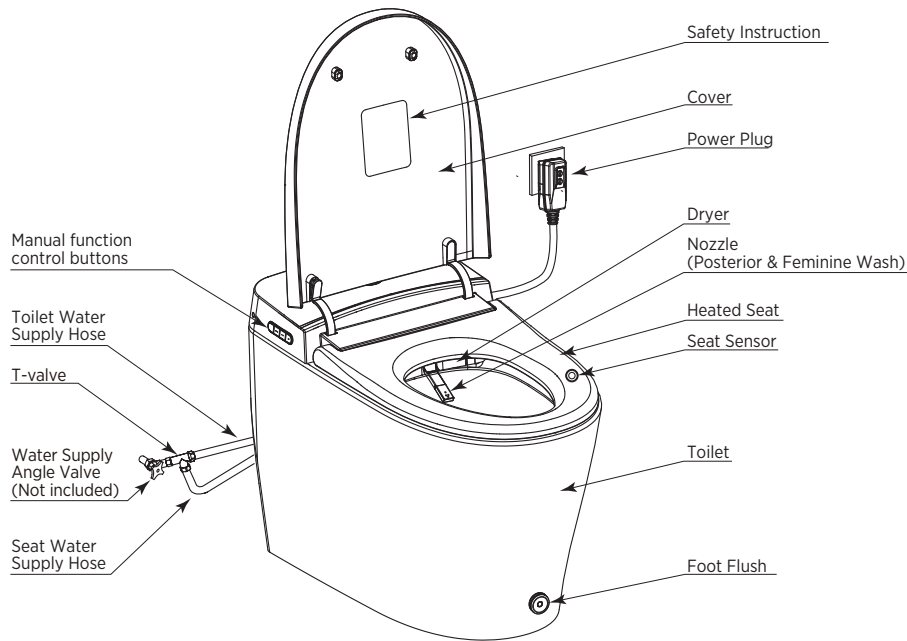
Compliance Certifications:

- ASME A112.19.2/CSA B45.1
- ASME A112.4.2/CSA B45.16
- WaterSense Specification
- UL 1951, CSA C22.2 No.64 and CSA C22.2 No.68
- MaP tested 800g
- Intertek ETL
- cUPC

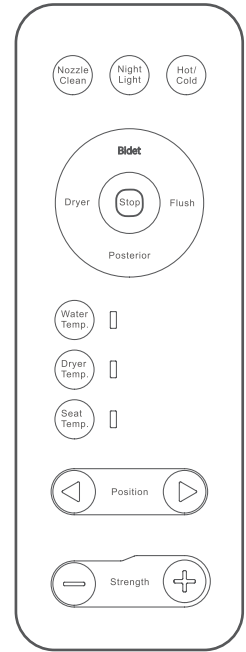
Additional details on reverse.



PARTS



REMOTE CONTROL



DETAILED SPECIFICATIONS

Rated Voltage	110V - 120V	
Rated frequency	60Hz	
Rated consumption power	Water intake temperature 59°F/15°C, power 1050W	
Water intake temperature	39°F/4°C - 95°F/35°C	
Range of water intake pressure for use	Min. necessary water pressure	25 psi, ensuring a flow of water at least 4.8gal/18L per minute
	Max. water pressure	80 psi (in resting state)
Toilet	Rough-in	12 in
Wash	Heating method	Transient heating
	Temperature of warm water	Off / about 93.2°F /34°C - 102.2°F /39°C (4 levels)
	Safety unit	Thermostat series, thermal fuse, flow detection
Dryer	Warm air temperature	Off / about 95°F /35°C - 131°F /53°C (4 levels) device
	Wind speed	Approximately 4 meters /13 feet per second +/- airflow
	Safety unit	Bimetal thermostat series, thermal fuse
Seat	Seat temperature	Off /about 93.2°F /34°C - 104°F /40°C (4 levels)
	Safety unit	Thermal fuse
Remote control	Dimension	7.5 in L × 2 in W × 0.87 in H
	Power supply	2 AAA batteries (not included)
Manual Flush Override	Power supply	one 9volt battery (Not included)
Water-proof grade	IPX4	
Length of power cable	Approx. 47 in	
Dimensions of the product	27 in L x 15.125 in W x 18.625 in H	