

CRAFT + MAIN™

INSTALLATION AND USER GUIDE

HUNTLEY Complete 2-Piece Toilet **TT-7250HC-W**

Read all instructions carefully before proceeding.



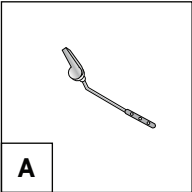
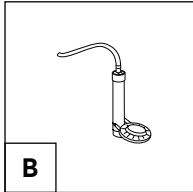
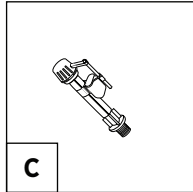
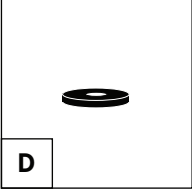
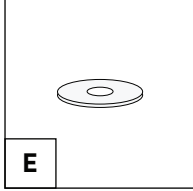
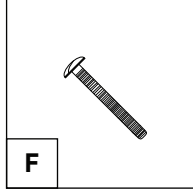
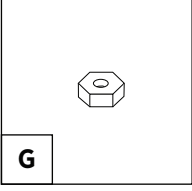
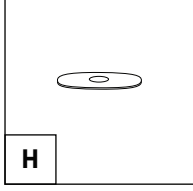
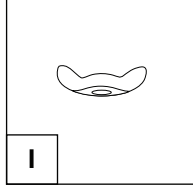
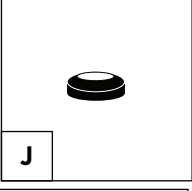
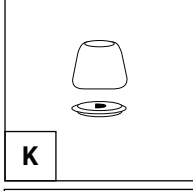
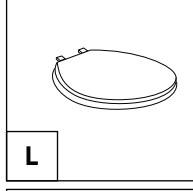
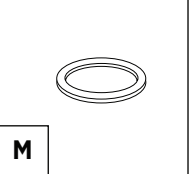
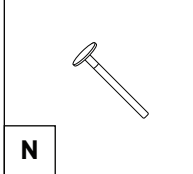
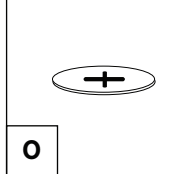
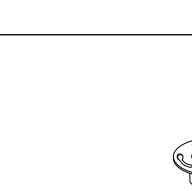
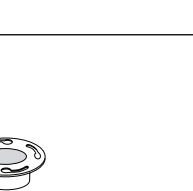


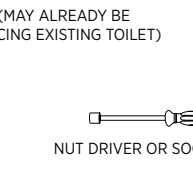
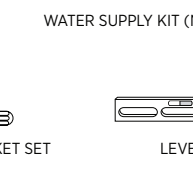



- To ensure that timely and effective service is available for you, please keep this manual for future reference.

CRAFT + MAIN™

INSTALLATION AND USER GUIDE

HUNTLEY Complete 2-Piece Toilet TT-7250HC-W

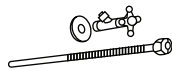
HARDWARE & PARTS LIST

			A Complete Lever	x1
			B Complete Flush Valve with Flapper (Installed)	x1
			C Complete Fill Valve with Float (Installed)	x1
			D Rubber Bolt Washers	x2
			E Metal Washers	x4
			F Metal Tank Bolts	x2
			G Metal Nuts	x2
			H Oval Washers	x2
			I Wing Nuts	x2
			J Large Rubber Sealing Gasket	x1
			K Plastic Bolt Caps & Washers	x2
			L Plastic toilet Seat	x1
			M Sealing Ring (11/16" Wax)	x1
			N Floor Bolts	x2
			O Plastic Retaining Washers	x2
			P Metal Washers	x2
			Q Tightening Nuts	x2

TOOLS & MATERIALS REQUIRED



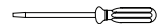
FLOOR FLANGE (MAY ALREADY BE INSTALLED IF REPLACING EXISTING TOILET)



WATER SUPPLY KIT (NOT NEEDED IF REPLACING TOILET)



ADJUSTABLE WRENCH



FLATHEAD SCREWDRIVER



NUT DRIVER OR SOCKET SET



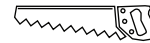
LEVEL



PUTTY KNIFE



TAPE MEASURE



HAND SAW

CRAFT + MAIN™

INSTALLATION AND USER GUIDE

HUNTLEY Complete 2-Piece Toilet TT-7250HC-W

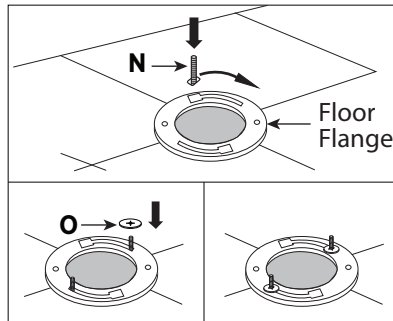
STEP 1 REMOVING OLD TOILET

Turn off the water supply. Flush the toilet to empty the tank. Remove any water left in the tank or bowl. Disconnect the supply line from the tank. Remove decorative caps. Unscrew nuts that attach the toilet to the floor. Remove toilet.

STEP 2 INSTALLATION PROCEDURE

Make sure the water supply valve is shut off before installation. Remove old floor bolts from floor flange. Clean any old wax, putty, etc. from base area.

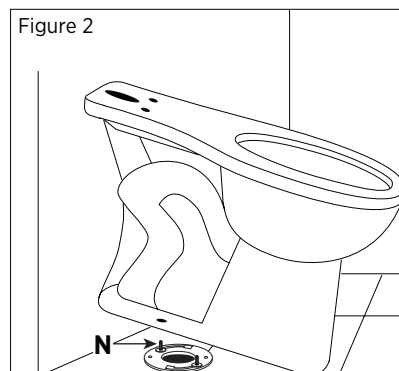
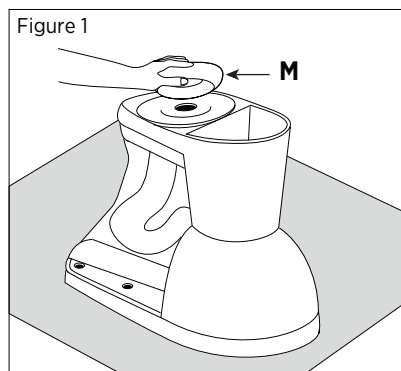
Install new floor bolts (**N**) into floor flange. Use plastic retaining washers (**O**) to hold bolts in full length, upright position. You can pre-cut the floor bolts to the desired length to put on the bolt cap by doing the following: Temporarily install floor bolts and set the toilet and place the washers and nuts onto the bolts. Then mark the length needed. Take toilet out of the place and remove the floor bolts. Cut the floor bolts to the desired length.



STEP 3 INSTALLATION PROCEDURE

Turn toilet bowl upside down onto a soft surface. Place a new wax ring (**M**) around the raised outlet ring of the bowl with the rounded (tapered) end of the ring facing the toilet, and press firmly enough so the wax ring adheres to the bowl. (Figure 1)

Lower the toilet onto the floor bolts (**N**), so the bolts protrude through mounting holes in base of toilet. (Figure 2) Using a rocking motion, press the bowl down to position the toilet onto the flange.



CRAFT + MAIN™

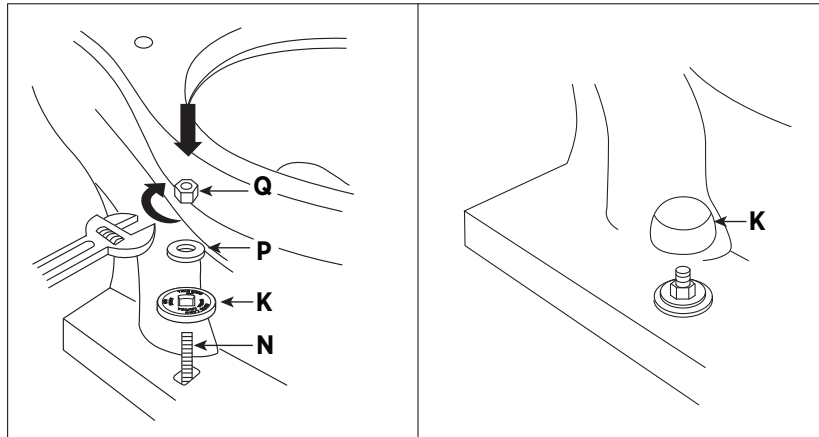
INSTALLATION AND USER GUIDE

HUNTLEY Complete 2-Piece Toilet TT-7250HC-W

STEP 4 INSTALLATION PROCEDURE

Install plastic cap washers (**K**), followed by metal washers (**P**) and nuts (**Q**) onto the floor-bolts (**N**). Tighten the bolts alternately until toilet is firmly seated on the floor. Install the plastic bolt caps (**K**).

CAUTION: DO NOT OVERTIGHTEN NUTS, SEVERE DAMAGE MAY OCCUR.



STEP 5 INSTALLING THE TANK

Place a metal washer (**E**) followed by a rubber washer (**D**) onto each bolt (**F**). Insert the bolts (**F**) with washers (**E & D**) through the holes inside the tank.

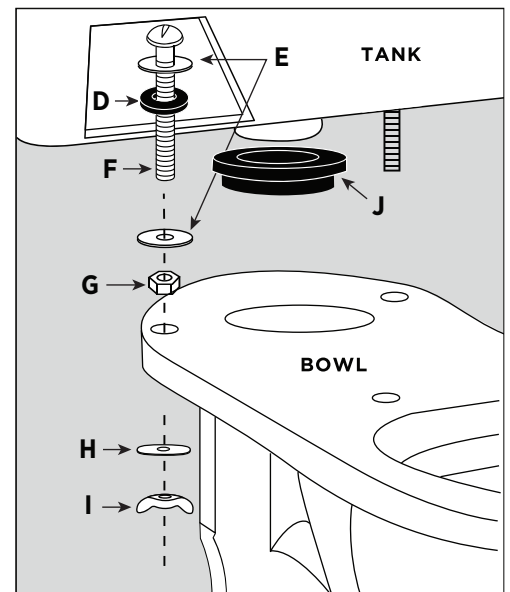
Place a metal washer (**E**) followed by a metal nut (**G**) onto each bolt (**F**) protruding from the bottom of the tank. Tighten the metal nuts (**G**) to create a proper and secure seal.

Attach the rubber sealing gasket (**J**) to the center drain hole under the tank. Gently place the tank on the toilet bowl with the bolts (**F**) protruding out through the holes in the bowl.

Place an oval metal washer (**H**) followed by a wing nut (**I**) onto each of the protruding bolts (**F**). Tighten the wing nuts (**I**) enough so that the tank sits flat on the toilet bowl.

Make sure the tank is parallel to the wall and straight on the toilet bowl.

CAUTION: DO NOT OVERTIGHTEN NUTS. SEVERE DAMAGE MAY OCCUR.



CRAFT + MAIN™

INSTALLATION AND USER GUIDE

HUNTLEY Complete 2-Piece Toilet TT-7250HC-W

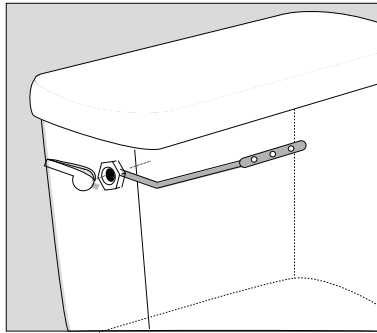
STEP 6 INSTALLING TANK LEVER

Turn clockwise to remove plastic nut from the lever arm.

Insert lever arm through the hole on the side of tank. The lever should be pointing to the back side of the toilet. Screw the plastic nut counter clockwise to tighten it.

Hook the chain onto the lever into the furthest hole from the lever. With the lever at rest, the chain should only be long enough for flapper to close.

NOTE: All CRAFT + MAIN toilets come preset and do not need to be adjusted.



STEP 7 INSTALLING TOILET SEAT

Place the seat on the toilet, aligning the holes of the seat with the holes in the back of the toilet bowl.

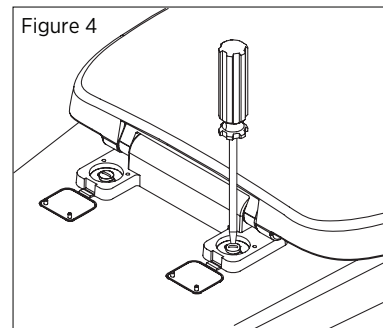
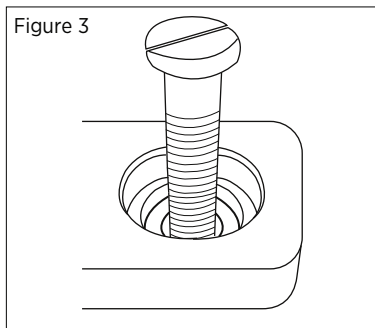
Insert the screw through the toilet seat holes on the bowl and secure it with the nuts/washers from the bottom of the toilet. (Figure 3)

Tighten up the nuts from the bottom of toilet, use a regular screwdriver to tighten to fit. (Figure 4)

CAUTION: DO NOT OVERTIGHTEN THE SCREW AS IT MAY CAUSE DAMAGE ON SEAT.

Push the decorative cap down.

Please note: Do not push down on the seat with force, doing so may damage the smooth close mechanism.



CRAFT + MAIN™

INSTALLATION AND USER GUIDE

HUNTLEY Complete 2-Piece Toilet TT-7250HC-W

STEP 8 CONNECTING WATER SUPPLY

Connect water supply line (new or existing) between shutoff valve and tank inlet water fitting. Tighten coupling nuts securely.

NOTE: DO NOT OVERTIGHTEN.

Turn on supply valve and allow tank to fill until float rises to shutoff position.

Check for leakage at fittings, tighten or correct as needed.

! TROUBLESHOOTING

Problem: Poor Flush, the water level is below water line mark.

Solution: Fine tune the fill valve adjustment rod to increase or decrease the water level in the tank.

Problem: Continuous water running.

Solution: It may occur if the flush seal is not completely closed. Verify if there is any obstruction with the flush seal and that the seal is in contact with the valve lip.

REPAIR PARTS:

Fill Valve w/Float
Flush Valve w/Flapper
Large Rubber Gasket
Tank Lever
Toilet Seat

Wipe the outside of the toilet gently with a damp cloth and blot dry with a soft towel. Make sure that the complete surface is cleaned and completely dry. NOTE: IMPROPER CARE MAY CAUSE THE WARRANTY TO BECOME INVALID.

CRAFT + MAIN™

WARRANTY REGISTRATION:

To receive warranty coverage for your purchase, you must complete the warranty registration form found on our website within 30 days of purchase, or provide valid proof of purchase detailing the date and location of your purchase.

U.S. CUSTOMERS: www.craftandmain.com/warranty

CANADIAN CUSTOMERS: www.craftandmain.ca/179-2

CUSTOMER SERVICE:

U.S. CUSTOMERS: 1-888-620-3667

Monday - Friday, 7:00 a.m. - 5:00 p.m., CT

www.craftandmain.com | customerservice.us@fgi-industries.com

CANADIAN CUSTOMERS: 1-888-256-7551

Monday - Friday, 8:00 a.m. - 5:00 p.m., ET

www.craftandmain.ca | customerservice.cdn@fgi-industries.com

LIMITED WARRANTY

CRAFT + MAIN™ plumbing products are covered by the FGI Industries, Ltd. **5 year** (Vitreous China) **and 1 year** (Parts and Fittings) Limited Warranty, which is as follows:

FGI Industries, Ltd. warrants its products to be free from defects in material or workmanship for **5 years** (Vitreous China) **and 1 year** (Parts and Fittings) from the date of purchase of the product by the original purchaser.

If inspection of this product, within **5 years** (Vitreous China) **and 1 year** (Parts and Fittings) after its initial purchase, confirms that it is defective in materials or workmanship, FGI Industries, Ltd. will repair or at its option, exchange the product for a similar model. FGI Industries, Ltd. provides no warranties or guarantees beyond those in this limited warranty.

This limited warranty applies only to the original purchaser and installation of these products. All de-installation and re-installation and transportation costs or charges incidental to warranty services are to be borne by the owner. In no event will FGI Industries, Ltd. be liable for the cost of repair or replacement of any installation materials, including but not limited to, tiles, marble etc. FGI Industries, Ltd. will not be responsible for and this warranty does not cover and specifically excludes any liability to the purchaser or any third party for consequential or incidental damages, all of which are hereby expressly disclaimed, or the extension beyond the duration of this warranty of any implied warranties, including those of merchantability or fitness for an intended purpose.

This warranty does not apply to local building code compliance. Since local building codes vary considerably, the purchaser of this product should check with a local building or plumbing contractor to ensure local code compliance before installation.

FGI shall not be responsible or liable for any failure or damage to its toilet tank trim, plumbing fittings, or china products caused by the use of either chloramines or high concentration of chlorine, lime/ iron sediments and/or other minerals not removed from public water during the treatment of public water supplies or caused by toilet tank type cleaners containing chlorine, calcium hypochlorite, and / or other chemicals.

This warranty is void if the product has been moved from its initial place of installation; if it has been subjected to faulty maintenance, abuse, misuse, accident, or other damages; if it was not installed in accordance with FGI Industries, Ltd. instructions; or if it has been modified in a manner inconsistent with the product as shipped by FGI Industries, Ltd.

This Warranty excludes the following:

1. Replacement of discolored or damaged parts as a result of strong cleaning or disinfecting chemicals.
2. Damage to, or malfunction of the unit resulting from improper installation, negligence, misuse, abuse or tampering by an unauthorized repair personnel.
3. Under no circumstances will FGI Industries, Ltd. be held liable for any loss or damage directly, consequentially or incidentally arising out of the misuse of, or inability to use this product.
4. Damage or loss resulting from electrical surges, electrical outages, lightning strikes or other acts are not covered by this warranty.
5. The owner hereby releases FGI Industries, Ltd. from any and all claims for bodily and/or property damage resulting from misuse, improper installation, inadequate maintenance, or exposure to extreme temperatures, strong chemicals, or high water pressure.

Note: Some states or provinces do not allow the limitations on an implied warranty, and some states/provinces do not allow exclusions or limitations regarding incidental or consequential damages, so the above limitations may not apply to you. This warranty gives you specific legal rights, and you may have other rights, which vary from state to state or province to province. No person is authorized to change, add to, or create any warranty or obligation other than that set forth herein.