

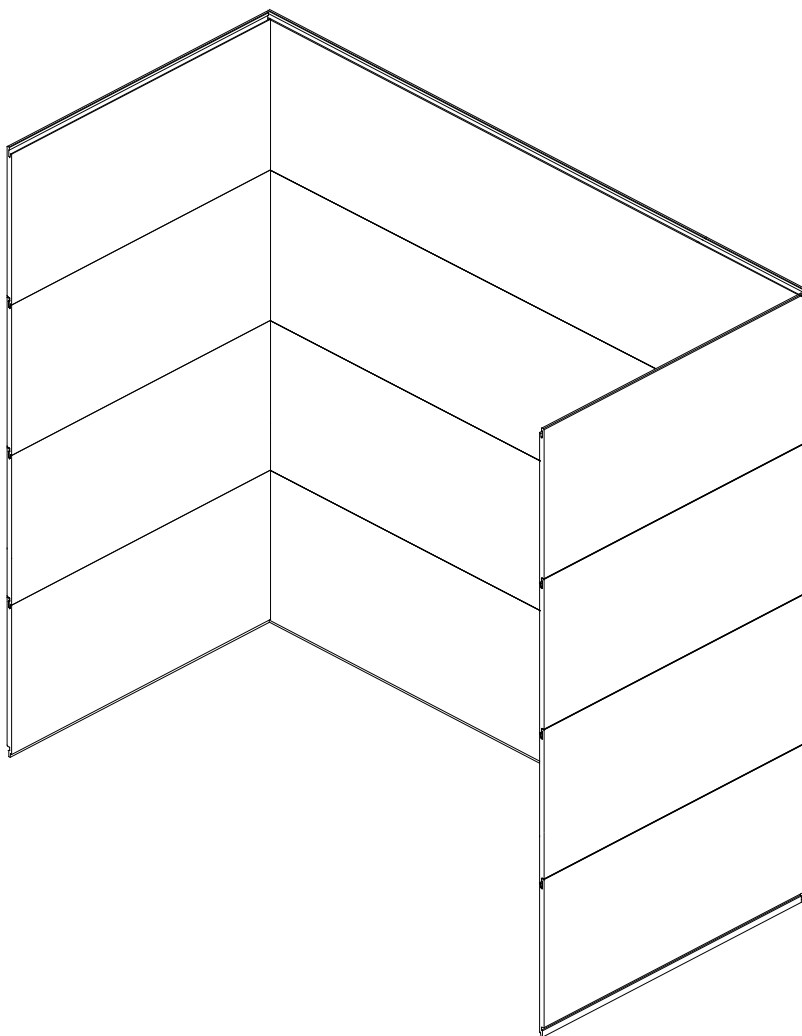
CRAFT + MAIN®
JETCOAT®
SHOWER WALL SYSTEM

FLEX™
MODEL#:
FLX603280

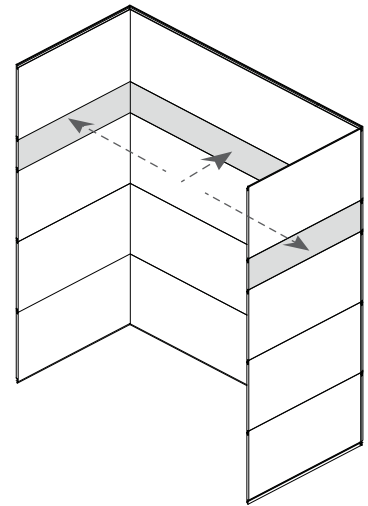
READ THE INSTRUCTIONS CAREFULLY

Familiarize yourself with all the parts as shown in the exploded view. The exploded view will also provide a helpful reference when relating to the location of the various parts and how they are mounted.

COPY THE MODEL NUMBER FOR YOUR RECORDS HERE #



Optional Accent Panel
(Sold Separately)



Toll Free Customer Assistance 1-888-620-3667 US Customers

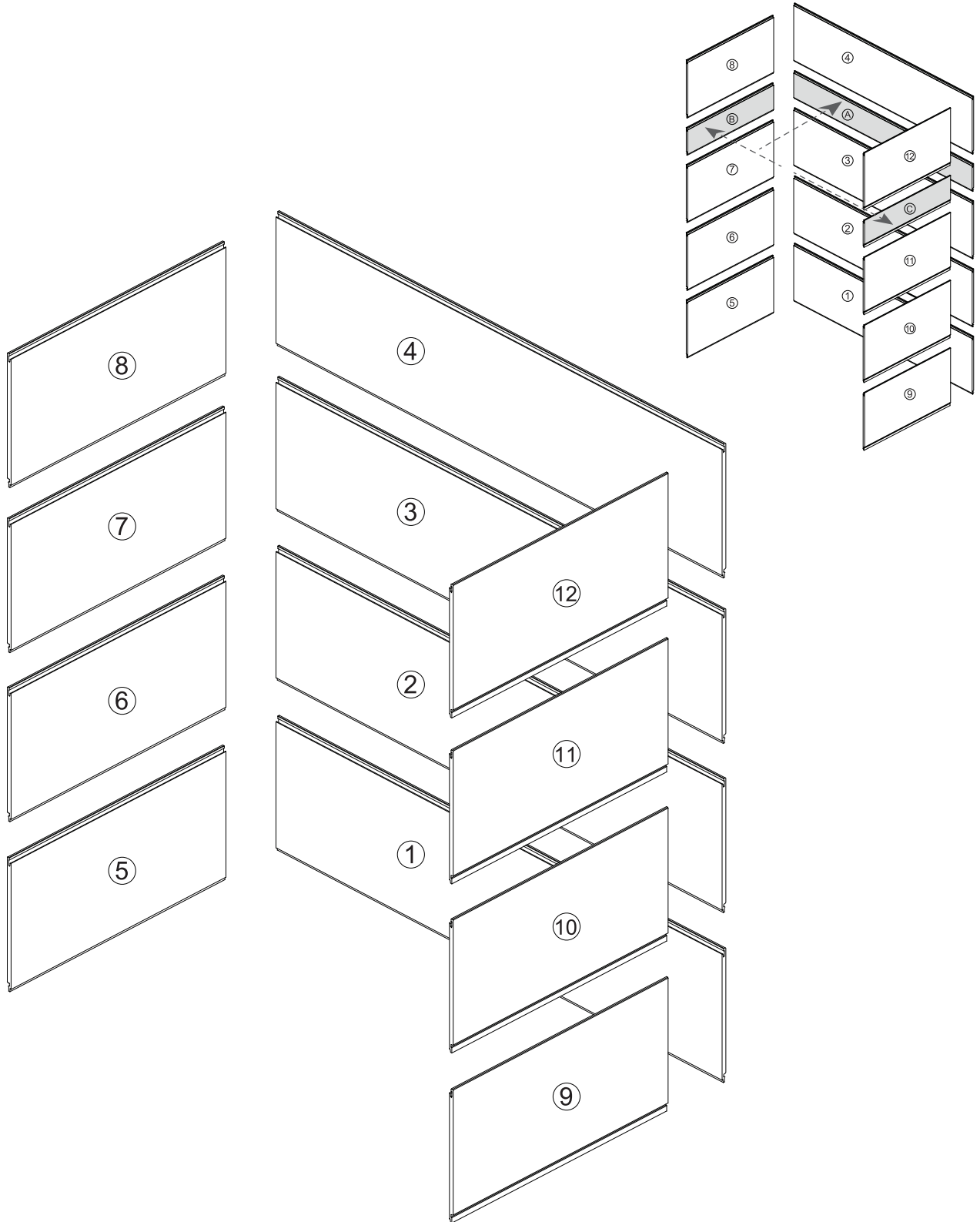
Monday-Friday, 7:30 a.m. To 5:00 p.m. CST

1-888-256-7551 Canada Customers

906 Murray Rd., East Hanover, NJ 07936
USA: www.craftandmain.com

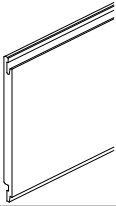
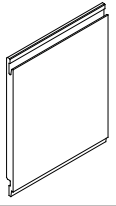
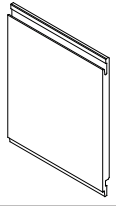
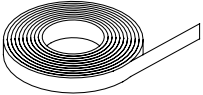
5970 Chedworth Way, Unit B, Mississauga, Ontario, Canada L5R 4G5
CANADA: www.craftandmain.ca

Optional Accent Panel
(Sold Separately)

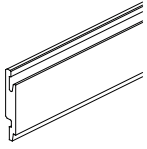
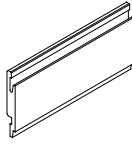
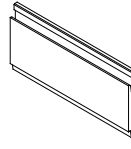


CAUTION: Do not set on corners when handling wall pieces.

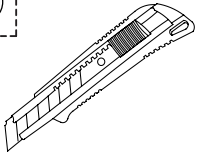
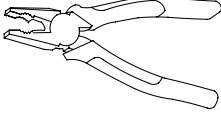
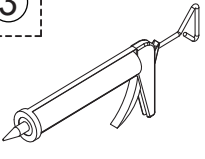
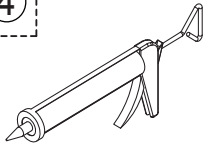
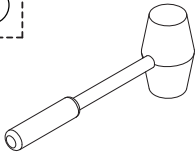
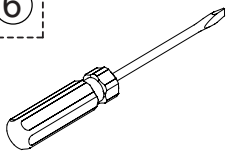
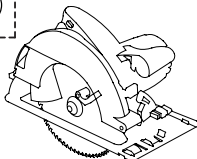
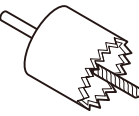
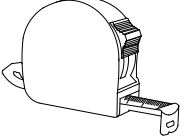
PARTS LIST

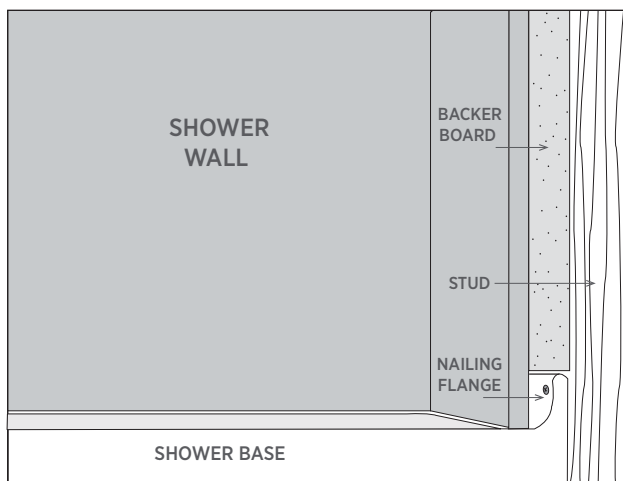
			
<p>① ② ③ ④</p> <p>Back Panel with Tongue & Groove</p>	<p>⑤ ⑥ ⑦ ⑧</p> <p>Side Panel with Tongue & Groove</p>	<p>⑨ ⑩ ⑪ ⑫</p> <p>Side Panel with Tongue & Groove</p>	<p>⑬</p> <p>Double-Sided Construction Tape</p>

ACCENT PANEL PARTS LIST - SOLD SEPARATELY

		
<p>Optional Back Accent Panel with Tongue & Groove</p>	<p>Optional Side Accent Panel with Tongue & Groove</p>	<p>Optional Side Accent Panel with Tongue & Groove</p>

RECOMMENDED TOOLS

				
<p>①</p> <p>Utility Knife</p>	<p>②</p> <p>Locking Pliers</p>	<p>③</p> <p>Construction Grade Adhesive</p>	<p>④</p> <p>Silicone</p>	
				
<p>⑤</p> <p>Rubber Mallet</p>	<p>⑥</p> <p>Flathead Screwdriver</p>	<p>⑦</p> <p>Circular Saw</p>	<p>⑧</p> <p>Hole Saw</p>	<p>⑨</p> <p>Measuring Tape</p>



NOTE: SHOWER BASE INSTALLATION

When used in conjunction with a shower base that has a nailing flange, the JETCOAT® Shower Wall System is designed to be installed as shown in the drawing. The nailing flange of the base should be attached directly to the bare studs with backer board attached to the studs above the nailing flange. The JETCOAT® walls are installed on the backer board extending down in front of the nailing flange and resting on the base. Failure to install your base in this configuration may cause problems installing the JETCOAT® walls.

PREPARATION TIPS

Before beginning installation of product, make sure all parts are present. Compare parts with package contents list. If any part is missing or damaged, do not attempt to assemble or install the product.

- Begin by measuring the overall width of the back wall after it has been cleaned and prepared for installation.
- If the overall height of the back and/or side walls above the bathtub or shower base is less than the height of the panels, they can be easily cut to fit.
- Turn off the water supply.
- Remove all shower hardware and decorations, including but not limited to: Faucet handles, escutcheons, filler spouts, towel bars, and soap dishes.
- All plumbing and electrical work inside the walls must be finished prior to installing the wall panels.
- Walls should be solid, plumb, and square within 1/8 inch of true. The Shower Wall System has been designed to allow for trimming, to accommodate minor alignment problems.
- The mounting surface should be cleaned and prepared, according to the Installation Procedure.
- If you plan to install a recessed accessory, cut the panel accordingly after it has been fully installed, and had the proper time to adhere to the wall. Remember to be considerate of wall studs when positioning the accessory.

CAULKING TIPS:

- Follow the instructions on the tube of your chosen caulk.
- Once you have completed the project, inspect all areas that have been caulked, filling in any gaps as needed.
- Remove any excess caulk using denatured alcohol and a clean cloth. Use caution, and do not to disturb any of the caulk joints.

INSTALLATION PROCEDURE:

The Shower Wall System can be installed over a variety of products. Consult with a professional contractor if you intend to apply the panels to any surface other than those described here.

CEMENT/CONCRETE:

- Depending on the condition (flatness) of the existing wall, additional silicone may be required to properly secure the wall panels to the substrate.
- Surface must be completely clean. This includes but not limited to: Soap scum, dust and any other contaminants that may affect adhesion. Ceramic tiles do not need to be removed, if solidly adhered.
- Recommended: The complete area sealed with two coats of water or oil-based sealer, to ensure proper adhesion of the Shower Wall System.
- Complete the installation of the wall panels following the instruction manual, after the sealer has completely dried.

MASONITE:

- Surface must be completely clean. This includes but not limited to: Soap scum, dust and any other contaminants that may affect adhesion.
- Optional: The complete area sealed with two coats of water or oil-based sealer, to ensure proper adhesion of the Shower Wall System.
- Complete the installation of the wall panels following the instruction manual, after the sealer has completely dried.

OLD TILE:

IMPORTANT: All plastic tiles must be removed. Old ceramic tiles do not need to be removed, if solidly adhered.

- Depending on the condition (flatness) of the existing wall, additional silicone may be required to properly secure the wall panels to the substrate.
- Properly remove and or reattach any loose ceramic tiles.
- Remove all tile accessories attached to the wall. Surface must be completely clean. This includes but not limited to soap scum, dust and any other contaminants that may affect adhesion.
- Complete the shower wall installation by following the instruction manual.

PLASTER:

- Additional silicone may be required to properly secure the substrate and the wall panel, depending on the condition of the existing wall.
- Smooth all textured and/or swirled finishes by sanding.
- Surface must be completely clean. This includes but not limited to soap scum, dust and any other contaminants that may affect adhesion.
- Recommended: The complete area sealed with two coats of water or oil-based sealer, to ensure proper adhesion of the Shower Wall System.
- Complete the installation of the wall panels following the instruction manual, after the sealer has completely dried.

SHEETROCK/GREENBOARD/CEMENT BOARD/ WOOD:

- Surface must be completely clean and free of soap scum, dust, and any other contaminants that may affect adhesion.
- Optional: The complete area sealed with two coats of water or oil-based sealer, to ensure proper adhesion of the Shower Wall System.
- Complete the installation of the wall panels following the instruction manual, after the sealer has completely dried.

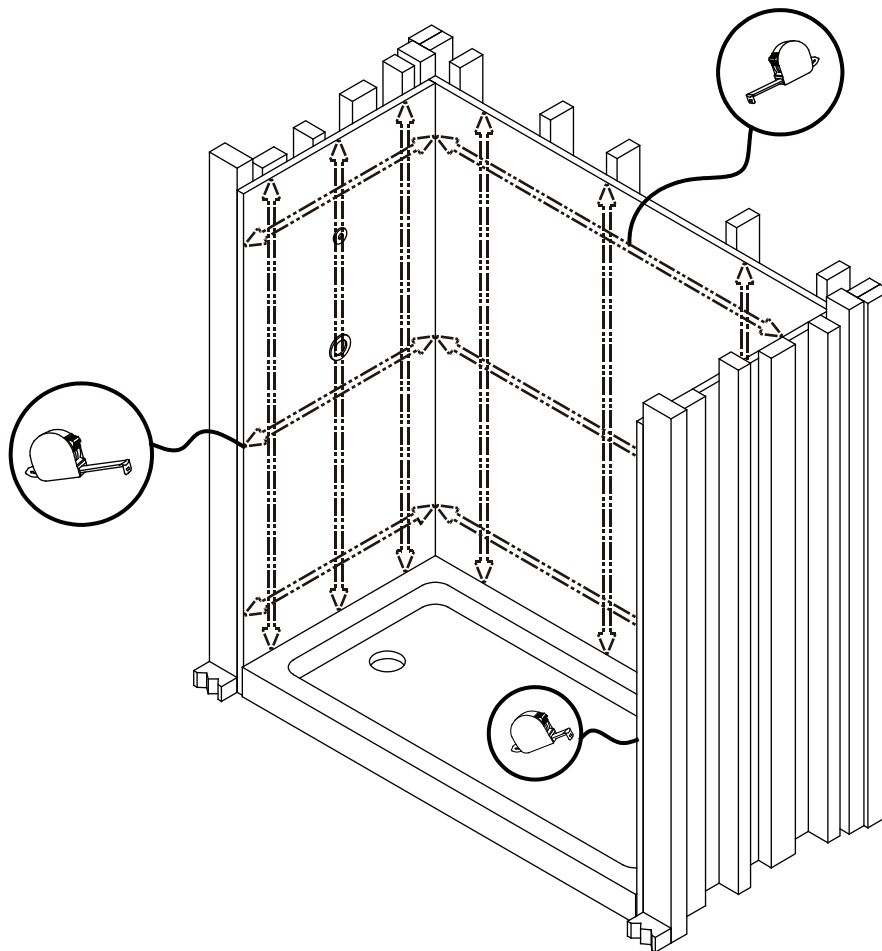
INSTALLATION PROCEDURE / STEP 1

1 MEASURING

1. Measure the height of installation area at both ends of each wall. From top of tub or shower pan to the ceiling. If the ceiling height is less than the height of the panels included in your kit, the panels can be cut down using the same cutting procedure outlined in Step 2.
2. Measure width of each wall at top and bottom of installation area.

Important Note:

- There are a total of 12 wall panels in a standard product.
- Adding optional accent panels increases the total number of wall panels to 15, resulting in an overall height increase of 8 inches. Exercise caution during the measuring and cutting process.
- **Steps 2 & 3 will be repeated when installing Standard 12-Panel kit / Optional Accent 15-Panel kit.**



2 CUTTING

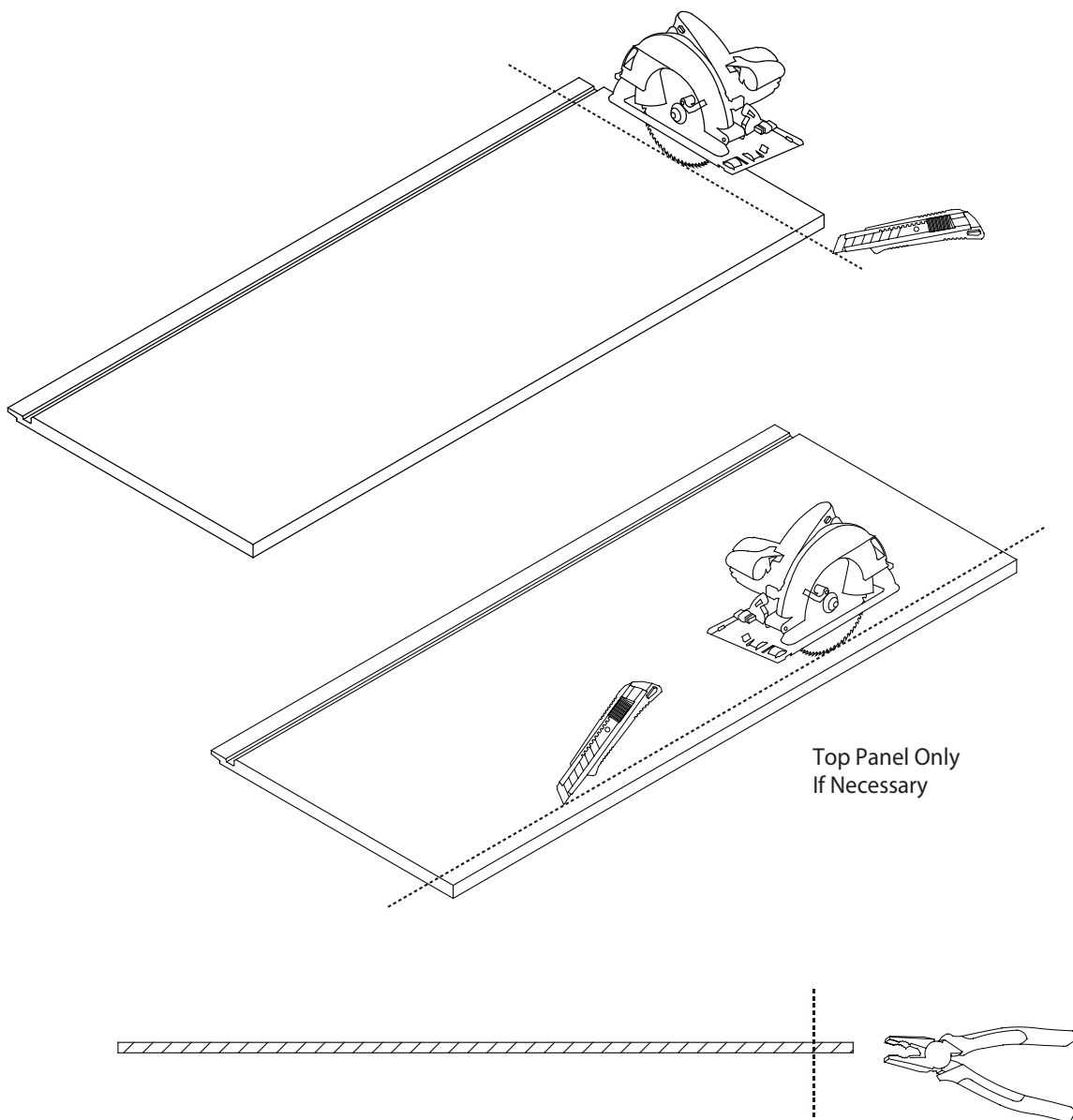
Important Note: The arrows on the label on the back of each panel indicate the TOP of the Panel. The following cutting instructions should be used when making all cuts.

Cutting Panels to Size:

1. Carefully draw a line on the back of each panel where the cut is to be made. Any adjustments for out of square or out of plumb should be considered when drawing this line.

Note: Using a straight edge when possible is highly recommended

2. Circular saw is recommended for making required cuts. If using utility knife, score the line several times and then use locking pliers to snap off the excess piece as shown.



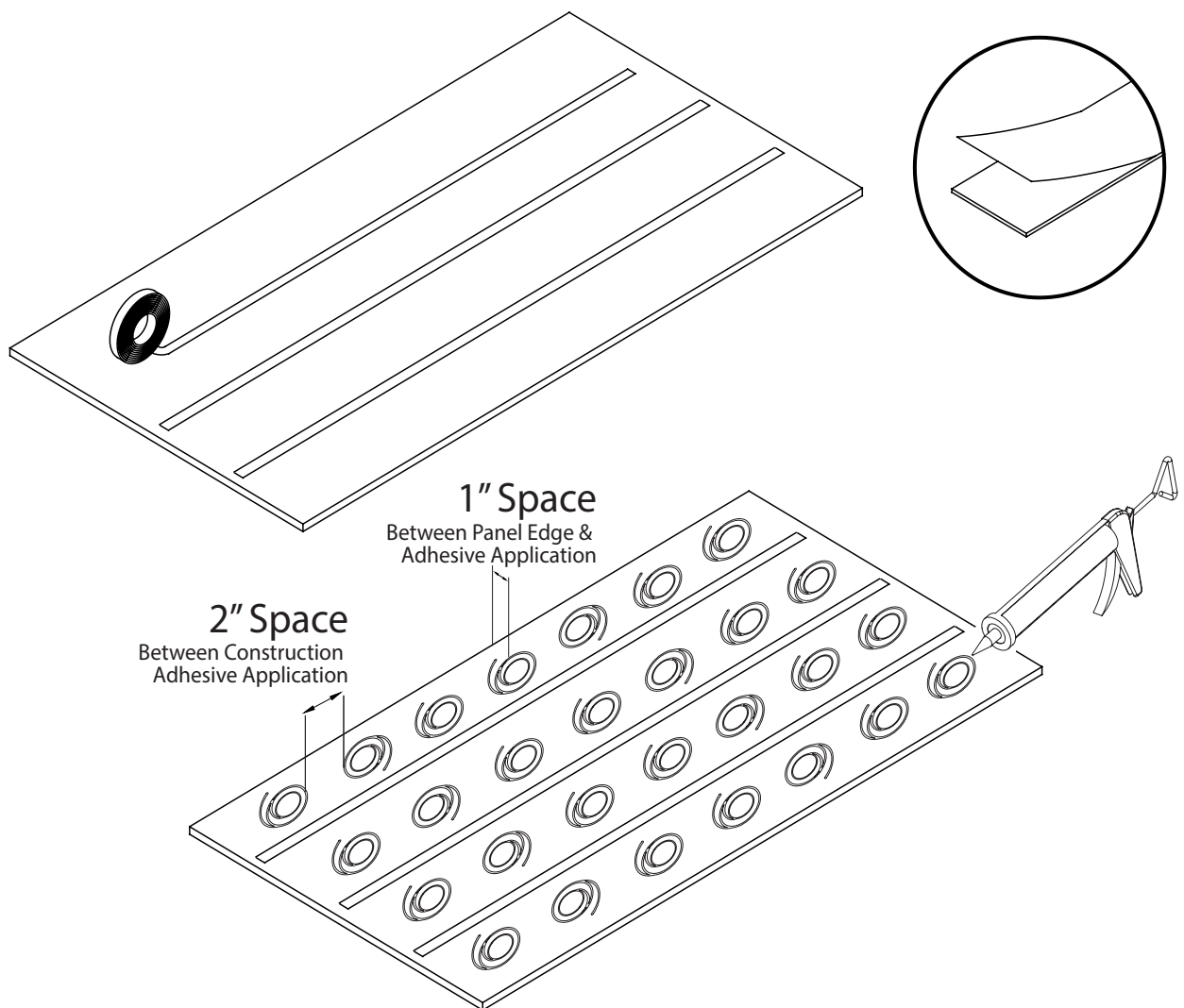
INSTALLATION PROCEDURE / STEP 3

3 APPLYING ADHESIVE AND TAPE TO BACK SIDE OF WALL PANELS

The following instructions should be used when applying tape and adhesive to each wall panel.

1. Apply double-sided construction tape to the back of the wall panel as shown.
2. Apply construction grade adhesive to the spaces between the tape as shown in a circular pattern. The beads of adhesive should be 2" apart and up to, but no closer than 1" from the panel edge.

Important: The circular pattern is critical for proper adhesion.



4

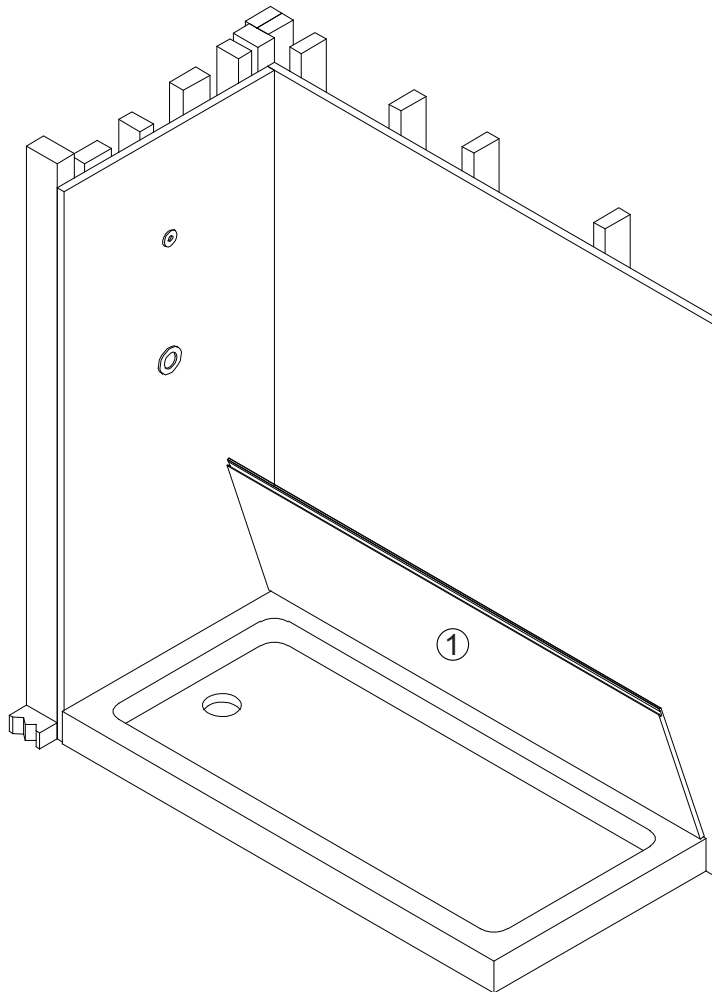
INSTALL BACK WALL PANEL

Important Note: Failure to install the back wall panels in the correct order may cause the pattern across the back wall not to appear continuous.

Important Note: The arrows on the label on the back of each panel indicate the TOP of the Panel.

Note: Your kit contains 4 back wall panels (labeled on the back as **(1) First Back Panel, (2) Second Back Panel, (3) Third Back Panel, (4) Fourth Back Panel** and 8 end wall panels (labeled on the back as **(5) (6) (7) (8) (9) (10) (11) (12) Side Panel**). **Optional Accent Panel** (labeled on the back as **(A) (B) (C) Accent Panel**).

1. Locate the panel labeled **(1) First Back Panel** and lay it down on a flat surface.
2. Based on your measurements from Step 1 (Measuring) cut the panel to the appropriate size and make any required plumbing cut-outs according to the instructions in Step 2 (Cutting)
3. Apply the double-sided tape and construction adhesive as explained in Step 3.
4. Peel off back of double-sided tape from the back of the panel. Position the panel at approximately 30 degrees, push the cut edge into the corner and then carefully push the panel toward the back wall. Shim if necessary.
5. Push panel firmly against the wall smoothing out any air bubbles along the entire area and then lightly tap on wall panel with a rubber mallet from top to bottom to ensure it is tightly connected to the wall.



INSTALLATION PROCEDURE / STEP 5

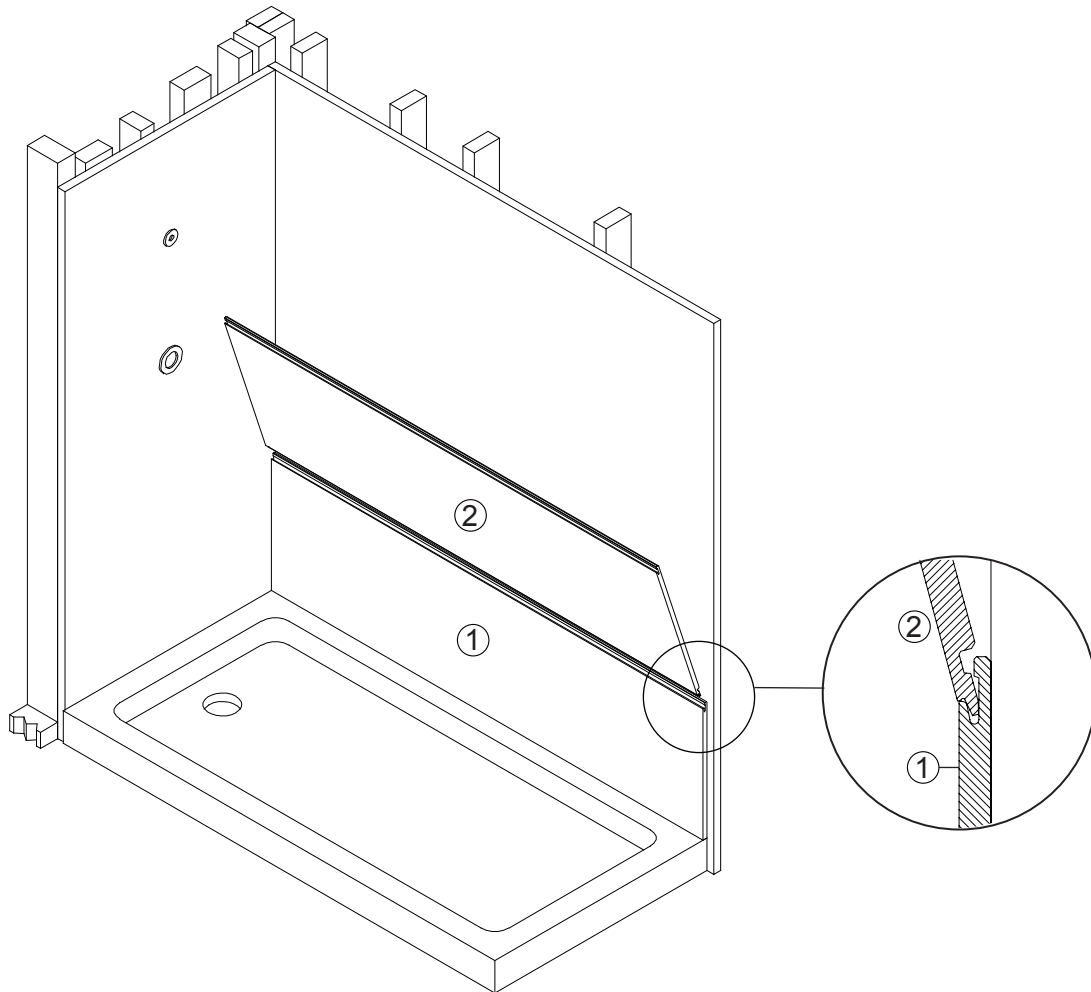
5 INSTALL BACK WALL PANEL

Important Note: The arrows on the label on the back of each panel indicate the TOP of the Panel.

1. Locate the panel labeled **(2) Second Back Panel** and lay it down on a flat surface.
2. Based on your measurements from Step 1 (Measuring) trim the width (Do not cut off the interlocking feature, adjust width only), if necessary, and make any required plumbing cut-outs according to the instructions in Step 2 (Cutting).
3. Apply the double-sided tape and construction adhesive as explained in Step 3.
4. Peel off back of double-sided tape from the back of the panel. Position the panel at an angle of approximately 45 degrees, and carefully push the tongue edge into the groove in the trailing edge of the **(1) First Back Panel**. Move the panel gently while exerting forward pressure and carefully push it toward the back wall.

Important Note: Great care must be taken when installing this panel. The watertight seal depends on the tongue being firmly inserted into the groove before the panel is pushed back into position and height alignment cannot be adjusted once the panel clicks into place.

5. Press against the wall smoothing out any air bubbles along the entire area and then lightly tap on wall panel with a rubber mallet from top to bottom to ensure it is tightly connected to the wall.



INSTALLATION PROCEDURE / STEP 6

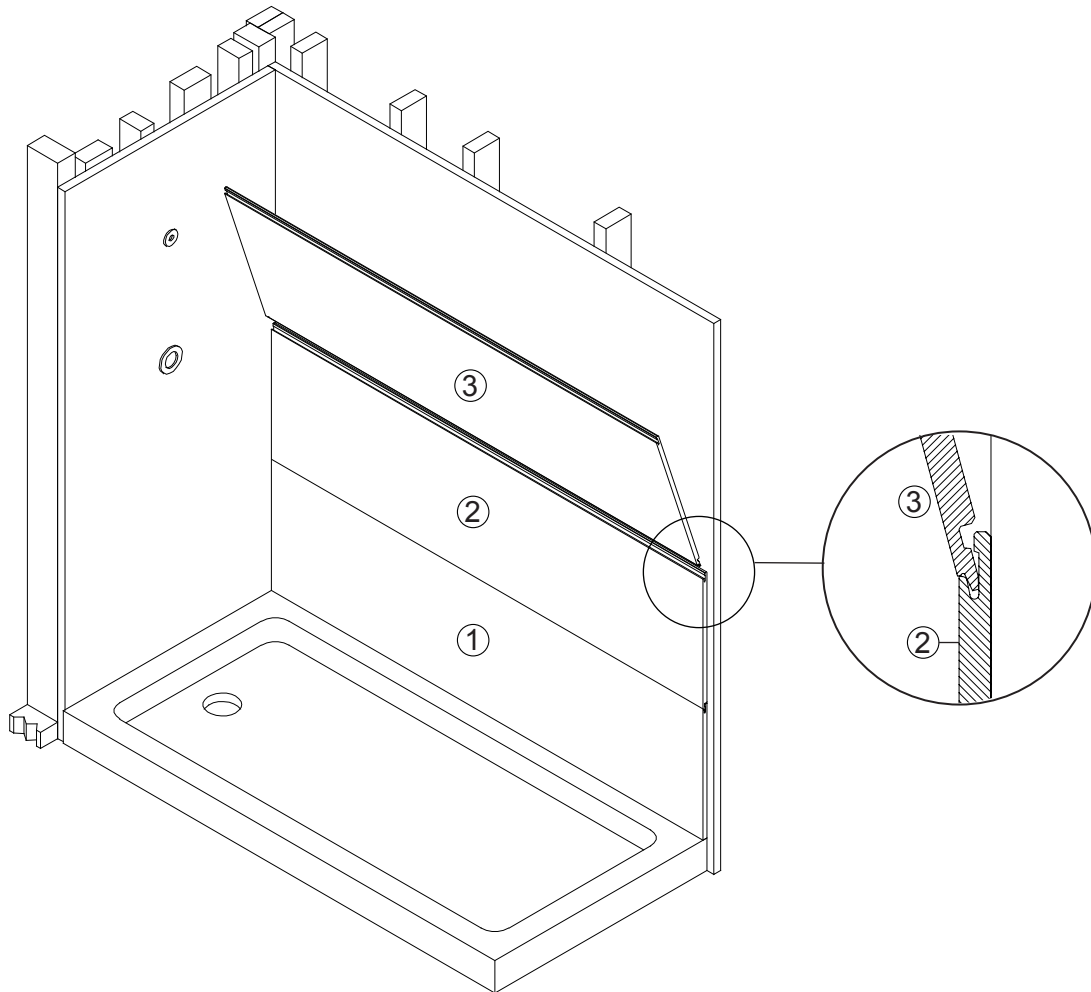
6 INSTALL BACK WALL PANEL

Important Note: The arrows on the label on the back of each panel indicate the TOP of the Panel.

1. Locate the panel labeled **(3) ThirdBack Panel** and lay it down on a flat surface.
2. Based on your measurements from Step 1 (Measuring) trim the width (Do not cut off the interlocking feature, adjust width only), if necessary, and make any required plumbing cut-outs according to the instructions in Step 2 (Cutting).
3. Apply the double-sided tape and construction adhesive as explained in Step 3.
4. Peel off back of double-sided tape from the back of the panel. Position the panel at an angle of approximately 45 degrees, and carefully push the tongue edge into the groove in the trailing edge of the **(2) Second Back Panel**. Move the panel gently while exerting forward pressure and carefully push it toward the back wall.

Important Note: Great care must be taken when installing this panel. The watertight seal depends on the tongue being firmly inserted into the groove before the panel is pushed back into position and height alignment cannot be adjusted once the panel clicks into place.

5. Press against the wall smoothing out any air bubbles along the entire area and then lightly tap on wall panel with a rubber mallet from top to bottom to ensure it is tightly connected to the wall.



INSTALLATION PROCEDURE / STEP 7

7 INSTALL BACK WALL PANEL

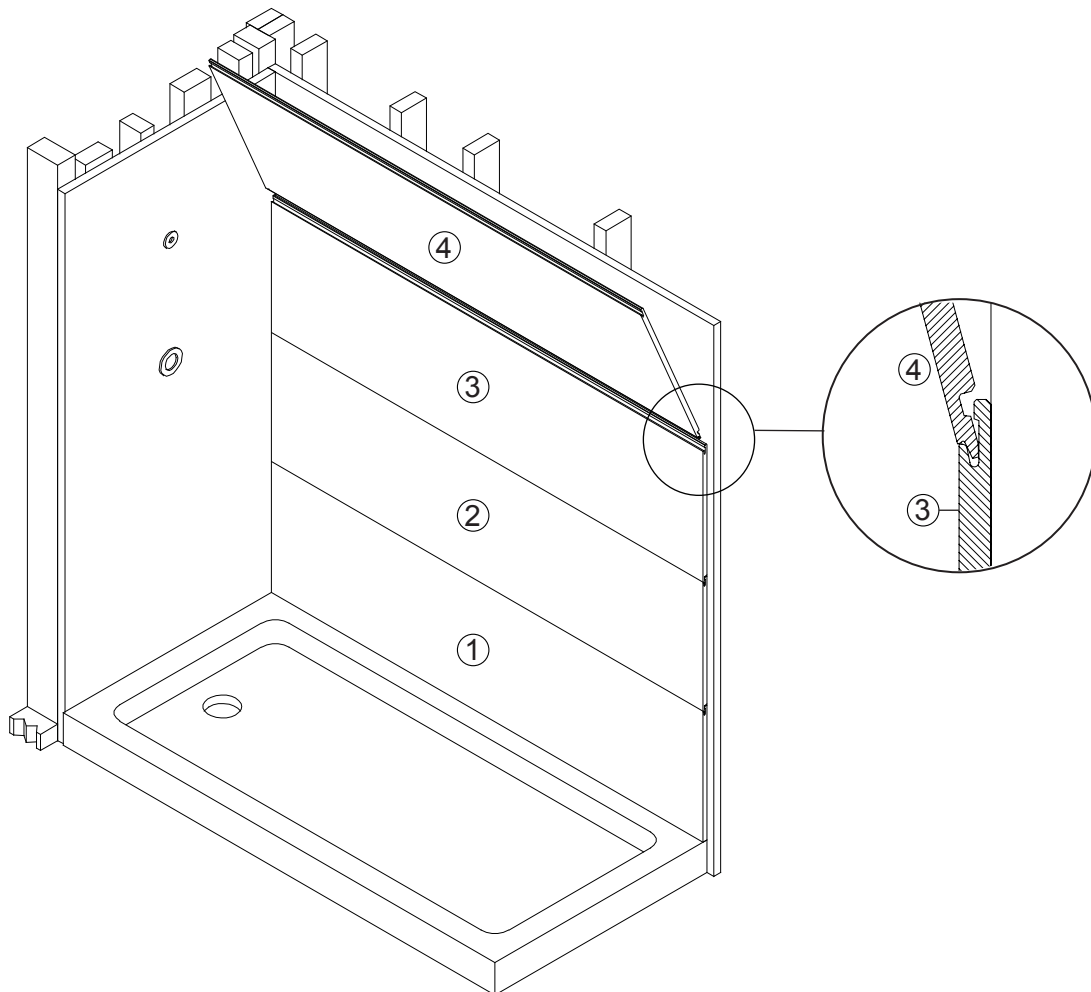
Important Note: The arrows on the label on the back of each panel indicate the TOP of the Panel.

1. Locate the panel labeled **(4) Fourth Back Panel** and lay it down on a flat surface.
2. Based on your measurements from Step 1 (Measuring) trim the width if necessary, and make any required plumbing cut-outs according to the instructions in Step 2 (Cutting).
3. Apply the double-sided tape and construction adhesive as explained in Step 3.
4. Peel off back of double-sided tape from the back of the panel. Position the panel at an angle of approximately 45 degrees, and carefully push the tongue edge into the groove in the trailing edge of the **(3) Third Back Panel**. Move the panel gently while exerting forward pressure and carefully push it toward the back wall.

Important Note: Great care must be taken when installing this panel. The watertight seal depends on the tongue being firmly inserted into the groove before the panel is pushed back into position and height alignment cannot be adjusted once the panel clicks into place.

5. Press against the wall smoothing out any air bubbles along the entire area and then lightly tap on wall panel with a rubber mallet from top to bottom to ensure it is tightly connected to the wall.

Note: If not installing with Accent Panel, go to Step 8.



ACCENT PANEL INSTALLATION PROCEDURE / STEP 7a

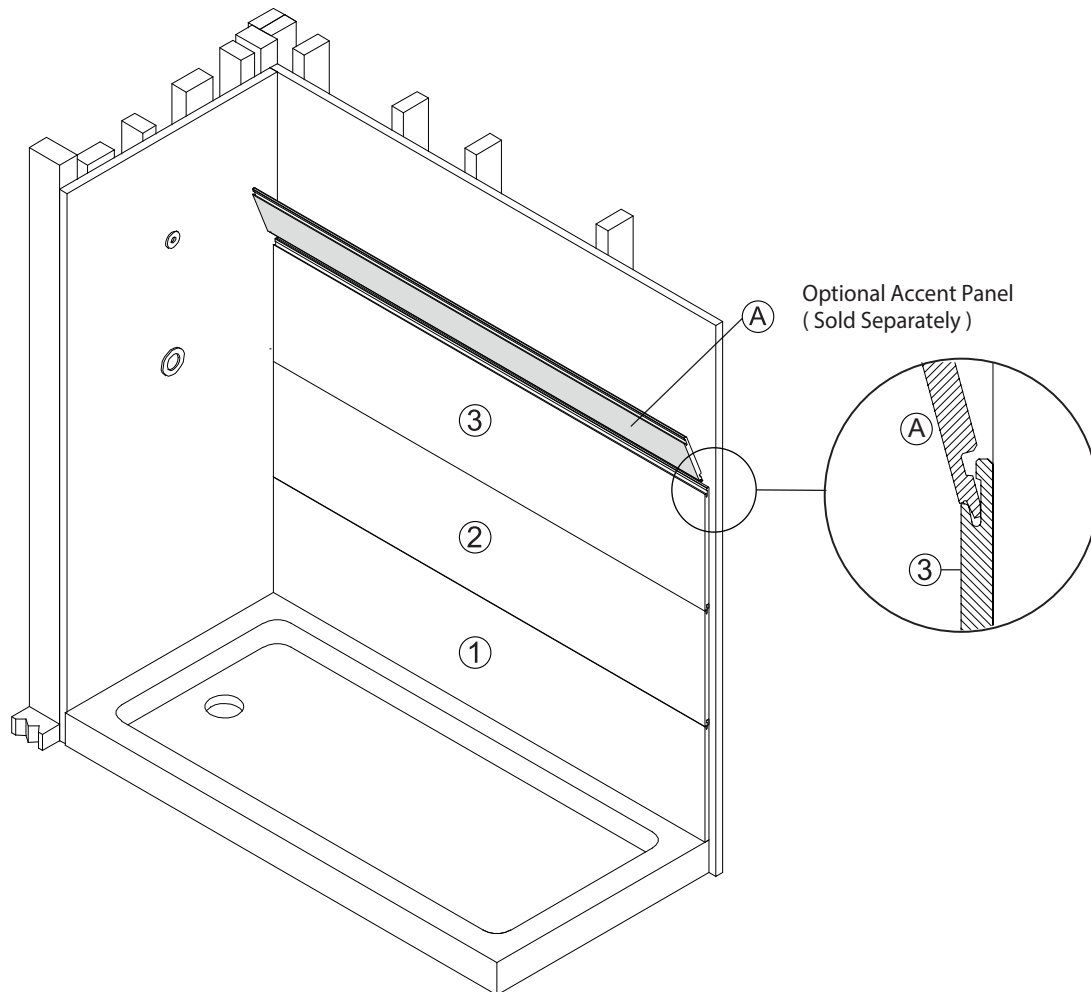
7a INSTALL BACK ACCENT PANEL

Important Note: The arrows on the label on the back of each panel indicate the TOP of the Panel.

1. Locate the panel labeled **(A) Back Accent Panel** and lay it down on a flat surface.
2. Based on your measurements from Step 1 (Measuring) trim the width (Do not cut off the interlocking feature, adjust width only), if necessary, and make any required plumbing cut-outs according to the instructions in Step 2 (Cutting).
3. Apply the double-sided tape and construction adhesive as explained in Step 3.
4. Peel off back of double-sided tape from the back of the accent panel. Position the panel at an angle of approximately 45 degrees, and carefully push the tongue edge into the groove in the trailing edge of the **(3) Third Back Panel**. Move the panel gently while exerting forward pressure and carefully push it toward the back wall.

Important Note: Great care must be taken when installing this panel. The watertight seal depends on the tongue being firmly inserted into the groove before the panel is pushed back into position and height alignment cannot be adjusted once the panel clicks into place.

5. Press against the wall smoothing out any air bubbles along the entire area and then lightly tap on wall panel with a rubber mallet from top to bottom to ensure it is tightly connected to the wall.



ACCENT PANEL INSTALLATION PROCEDURE / STEP 7b

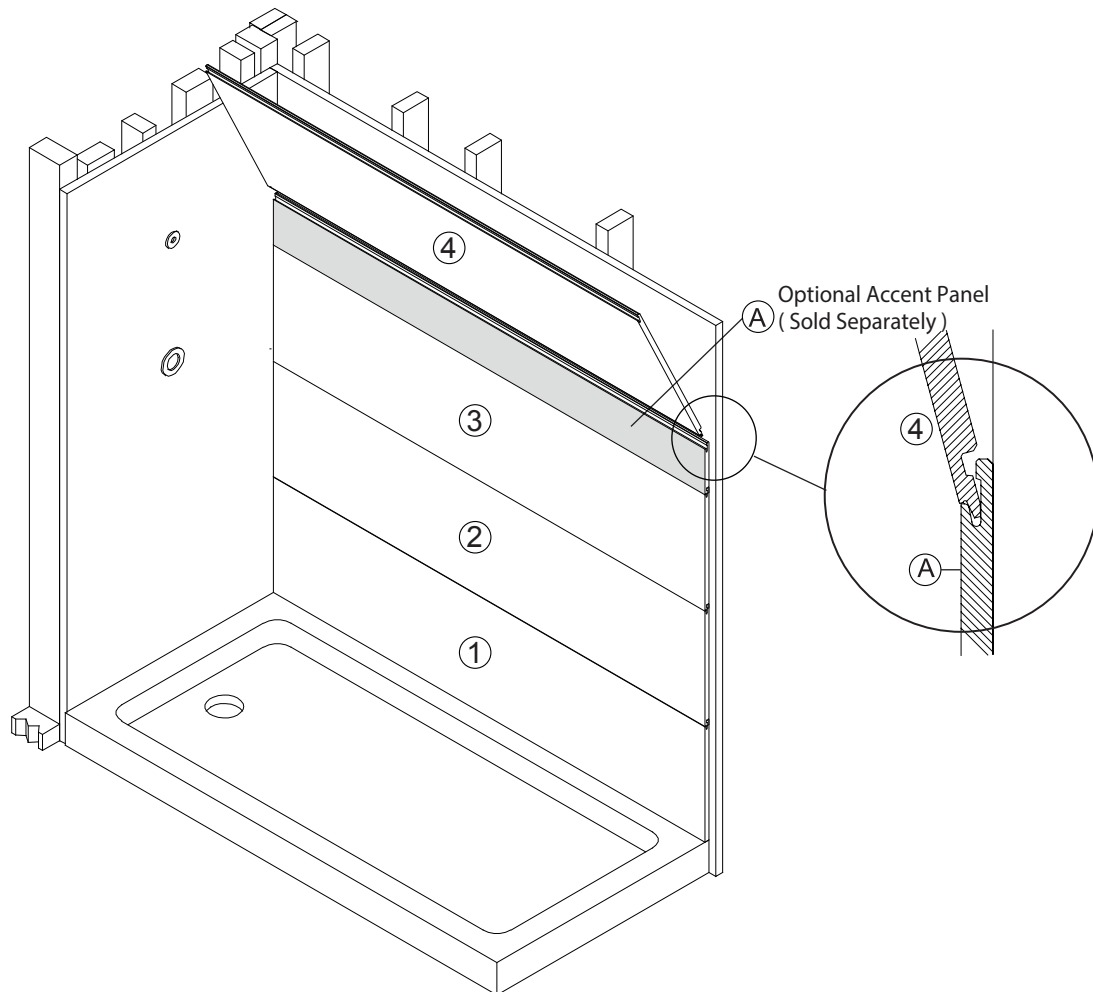
7b INSTALL BACK WALL PANEL

Important Note: The arrows on the label on the back of each panel indicate the TOP of the Panel.

1. Locate the panel labeled **(4) Fourth Back Panel** and lay it down on a flat surface.
2. Based on your measurements from Step 1 (Measuring) trim the width if necessary, and make any required plumbing cut-outs according to the instructions in Step 2 (Cutting).
3. Apply the double-sided tape and construction adhesive as explained in Step 3.
4. Peel off back of double-sided tape from the back of the panel. Position the panel at an angle of approximately 45 degrees, and carefully push the tongue edge into the groove in the trailing edge of the **(A) Back Accent Panel**. Move the panel gently while exerting forward pressure and carefully push it toward the back wall.

Important Note: Great care must be taken when installing this panel. The watertight seal depends on the tongue being firmly inserted into the groove before the panel is pushed back into position and height alignment cannot be adjusted once the panel clicks into place.

5. Press against the wall smoothing out any air bubbles along the entire area and then lightly tap on wall panel with a rubber mallet from top to bottom to ensure it is tightly connected to the wall.

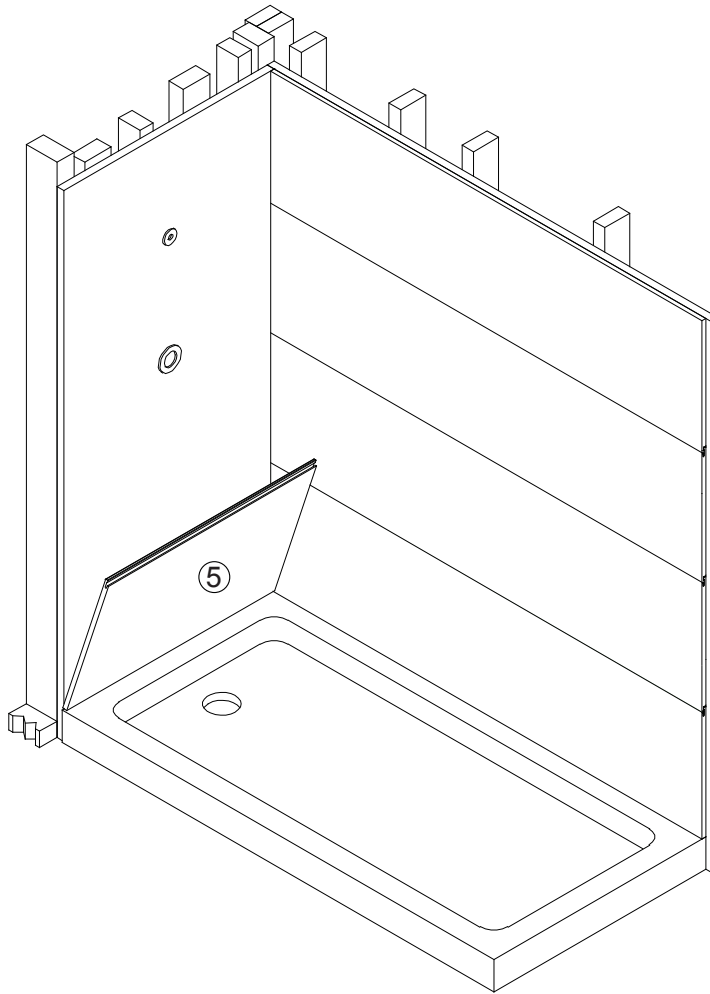


8

INSTALL LEFT SIDE WALL PANEL

Important Note: The arrows on the label on the back of each panel indicate the TOP of the Panel.

1. Locate the panel labeled **(5) Side Panel** and lay it down on a flat surface.
2. Based on your measurements from Step 1 (Measuring) cut the panel to the appropriate size and make any required plumbing cut-outs according to the instructions in Step 2 (Cutting).
3. Apply the double-sided tape and construction adhesive as explained in Step 3.
4. Peel off back of double-sided tape from the back of the beveled edge wall panel.
5. Position the panel at approximately 30 degrees, push the panel edge into the corner and then carefully push the panel back towards the wall. Shim if necessary.

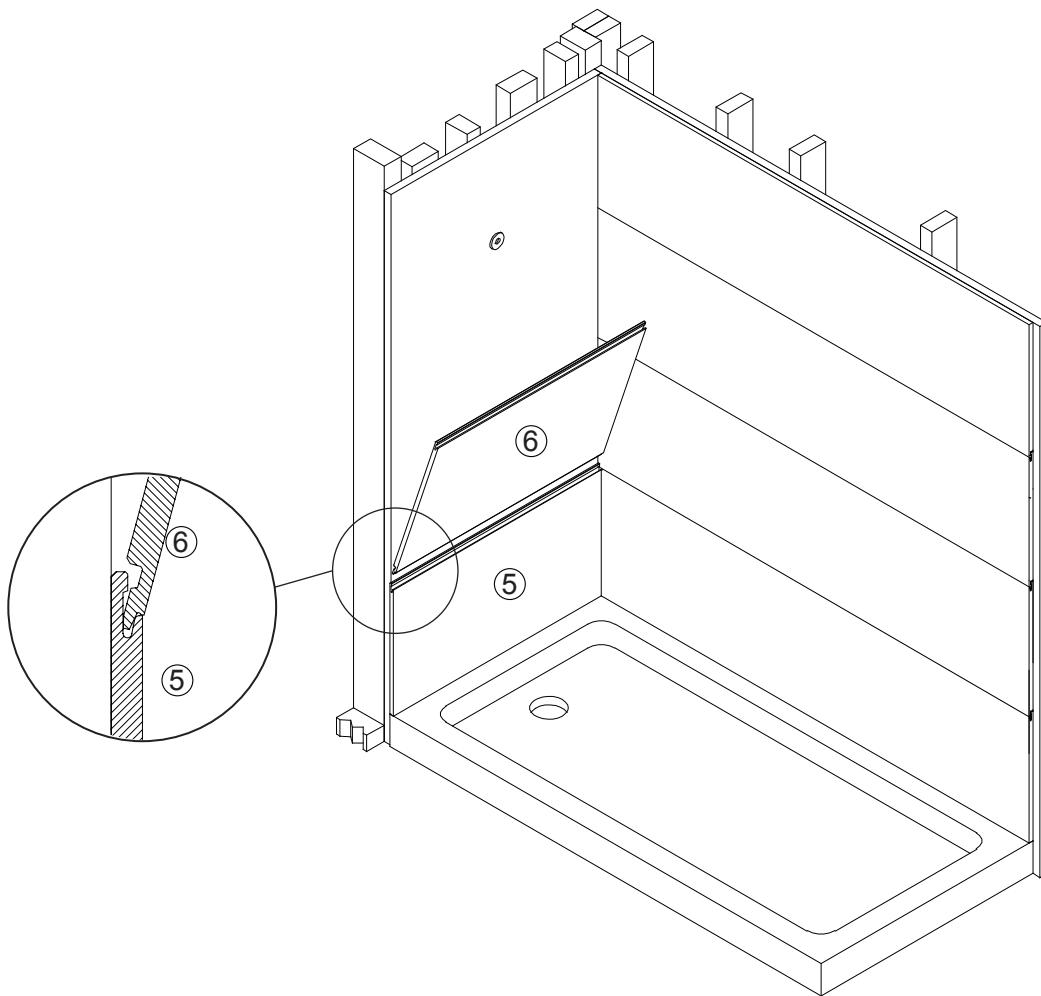


6. Press against the wall smoothing out any air bubbles along the entire area and then lightly tap on wall panel with a rubber mallet from top to bottom to ensure it is tightly connected to the wall.

9 INSTALL LEFT SIDE WALL PANEL

Important Note: The arrows on the label on the back of each panel indicate the TOP of the Panel.

1. Lay **(6) Side Panel** down on a flat surface.
2. Based on your measurements from Step 1 (Measuring) cut the panel to the appropriate size and make any required plumbing cut-outs according to the instructions in Step 2 (Cutting).
3. Apply the double-sided tape and construction adhesive as explained in Step 3.
4. Peel off back of double-sided tape from the back of the beveled edge wall panel.
5. Position the panel at approximately 30 degrees, push the panel edge into the corner and then carefully push the panel back towards the wall.

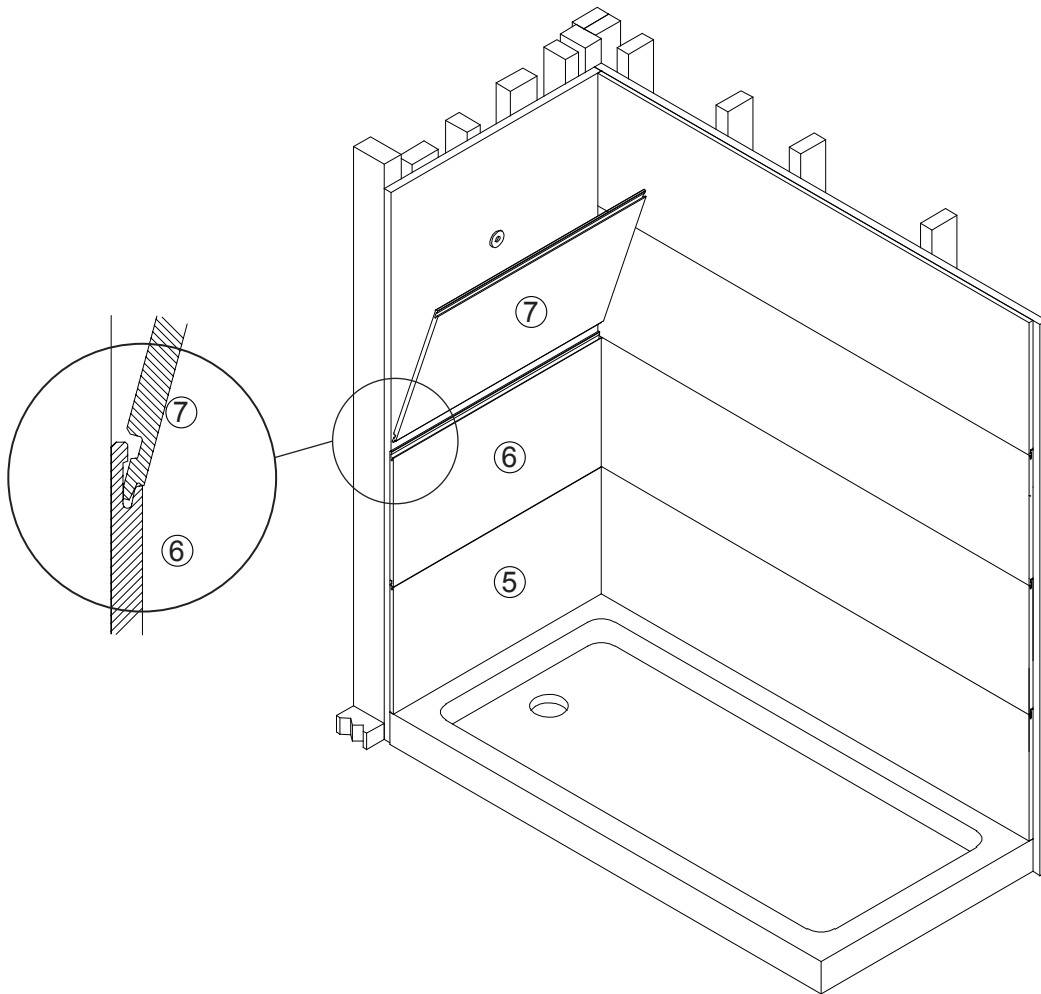


6. Press against the wall smoothing out any air bubbles along the entire area and then lightly tap on wall panel with a rubber mallet from top to bottom to ensure it is tightly connected to the wall.

10 INSTALL LEFT SIDE WALL PANEL

Important Note: The arrows on the label on the back of each panel indicate the TOP of the Panel.

1. Lay **(7) Side Panel** down on a flat surface.
2. Based on your measurements from Step 1 (Measuring) cut the panel to the appropriate size and make any required plumbing cut-outs according to the instructions in Step 2 (Cutting).
3. Apply the double-sided tape and construction adhesive as explained in Step 3.
4. Peel off back of double-sided tape from the back of the beveled edge wall panel.
5. Position the panel at approximately 30 degrees, push the panel edge into the corner and then carefully push the panel back towards the wall.



6. Press against the wall smoothing out any air bubbles along the entire area and then lightly tap on wall panel with a rubber mallet from top to bottom to ensure it is tightly connected to the wall.

11 CUTTING

Important Note: The arrows on the label on the back of each panel indicate the TOP of the Panel. The following cutting instructions should be used when making all cuts.

Plumbing Cut-Outs:

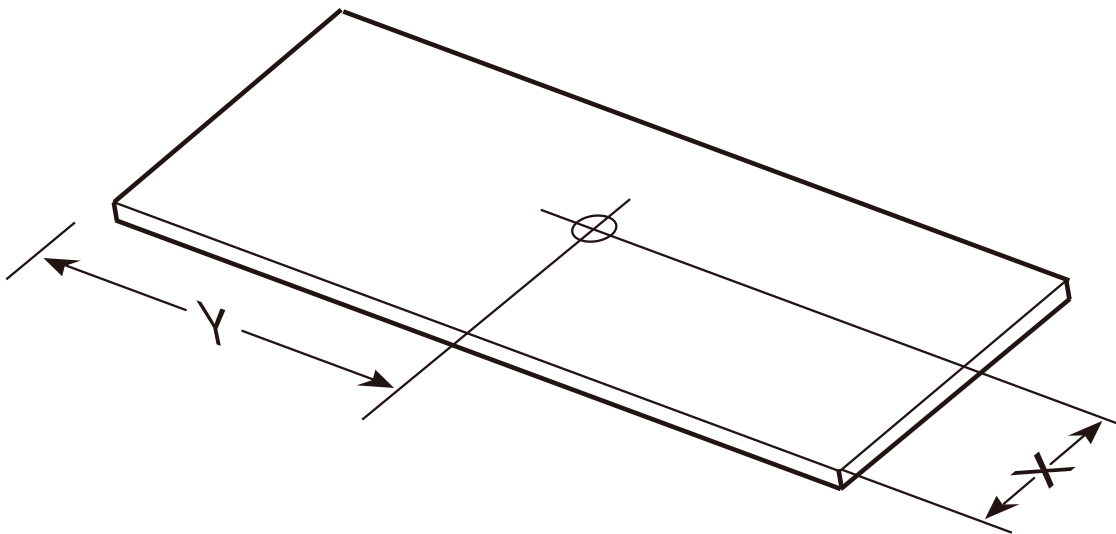
Use a drill and the appropriate size hole saw to create cut-outs for the shower head, filler spout, faucet handles and/or any other cutouts necessary for plumbing that is already in the walls.

Note: To be sure your measurements are correct, make a cardboard template to test the plumbing cutouts prior to cutting the JETCOAT® panels.

Important: Drill chuck can damage the JETCOAT® wall panel surface. Drill holes from back side of panel.

Recessed Accessories:

If you plan to install a recessed accessory, cut the panel accordingly after it has been fully installed, and had the proper time to adhere to the wall. Remember to be considerate of wall studs when positioning the accessory.



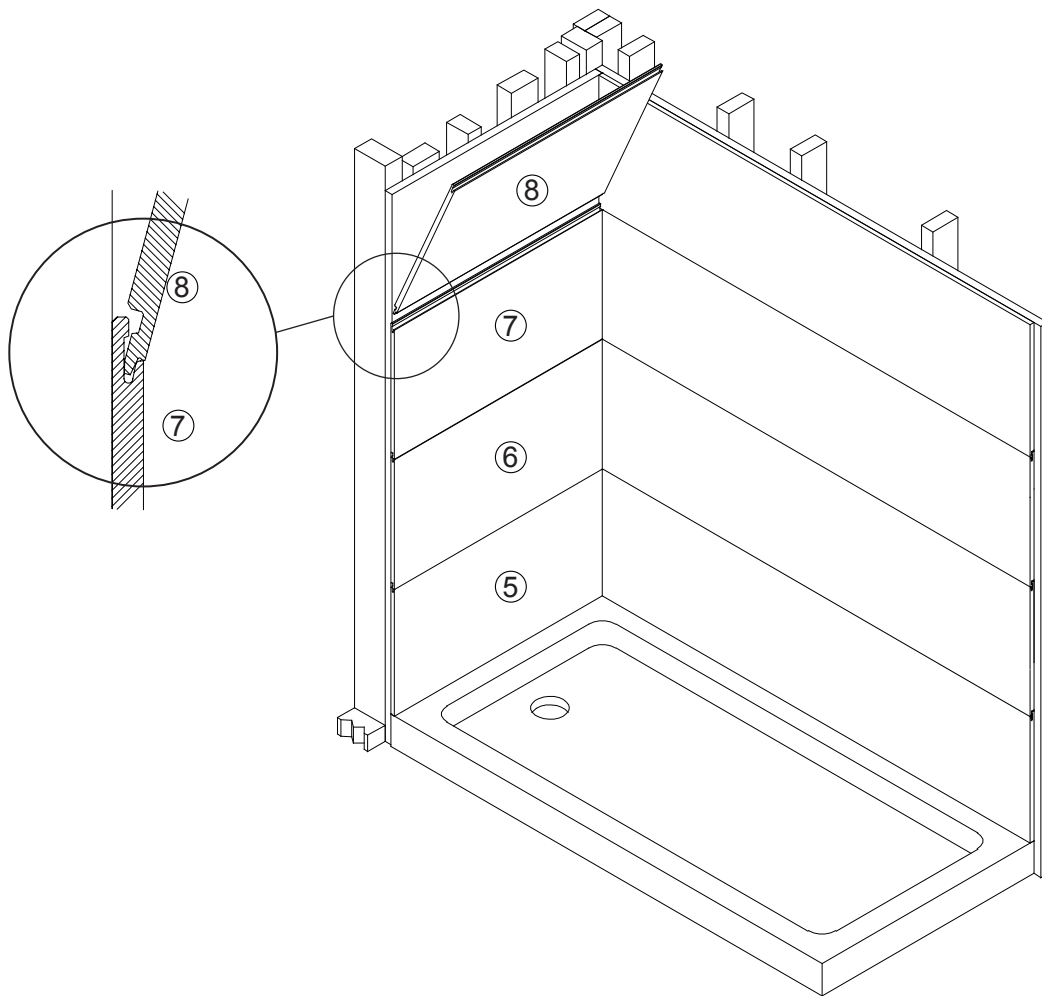
Measure cut-out locations for plumbing fixtures and mark them on the back of the appropriate panel(s).

12**INSTALL LEFT SIDE WALL PANEL**

Important Note: The arrows on the label on the back of each panel indicate the TOP of the Panel.

1. Lay **(8)** *Side Panel* down on a flat surface.
2. Based on your measurements from Step 1 (Measuring) cut the panel to the appropriate size and make any required plumbing cut-outs according to the instructions in Step 2 (Cutting).
3. Apply the double-sided tape and construction adhesive as explained in Step 3.
4. Peel off back of double-sided tape from the back of the beveled edge wall panel.
5. Position the panel at approximately 30 degrees, push the panel edge into the corner and then carefully push the panel back towards the wall.

Note: If not installing with Accent Panel, go to Step 13.



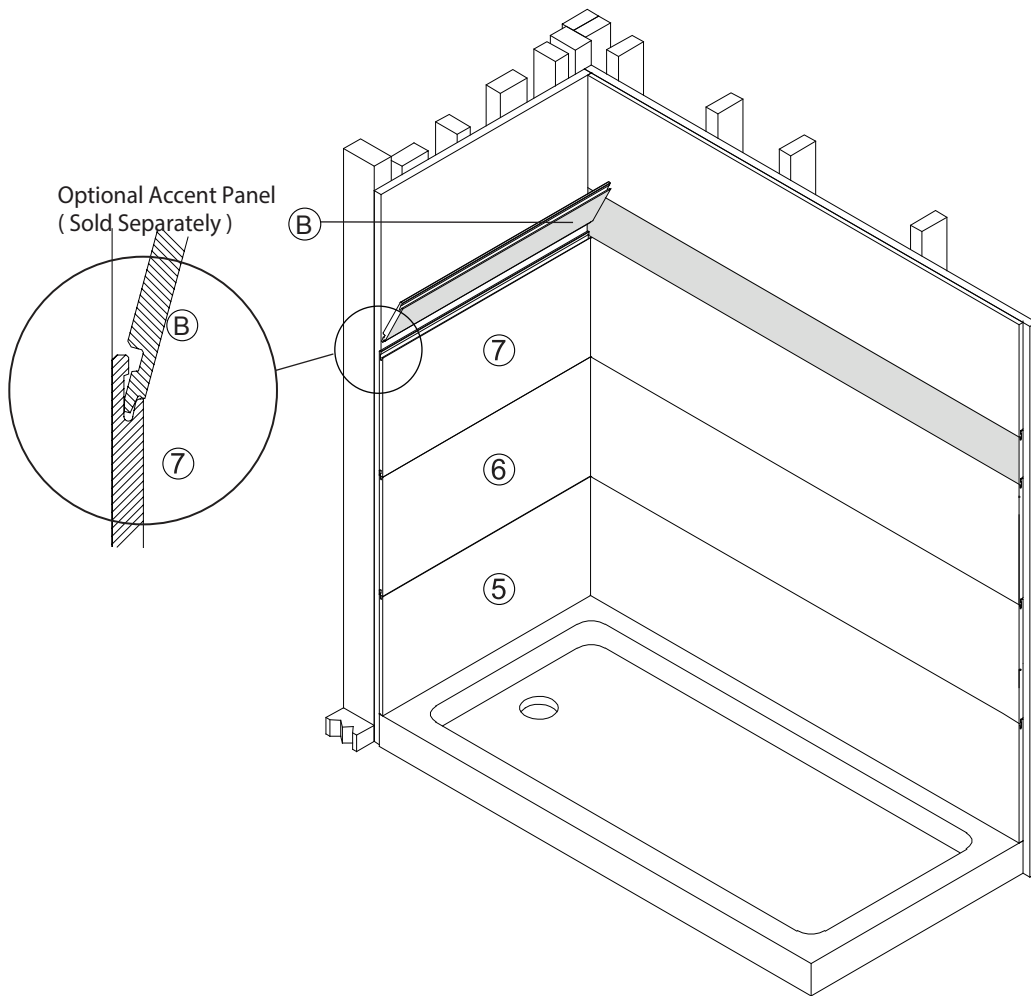
6. Press against the wall smoothing out any air bubbles along the entire area and then lightly tap on wall panel with a rubber mallet from top to bottom to ensure it is tightly connected to the wall.

12a

INSTALL LEFT SIDE ACCENT PANEL

Important Note: The arrows on the label on the back of each panel indicate the TOP of the Panel.

1. Lay **(B) Side Accent Panel** down on a flat surface.
2. Based on your measurements from Step 1 (Measuring) cut the panel to the appropriate size and make any required plumbing cut-outs according to the instructions in Step 2 (Cutting).
3. Apply the double-sided tape and construction adhesive as explained in Step 3.
4. Peel off back of double-sided tape from the back of the side accent panel.
5. Position the panel at approximately 30 degrees, push the panel edge into the corner and then carefully push the panel back towards the wall.

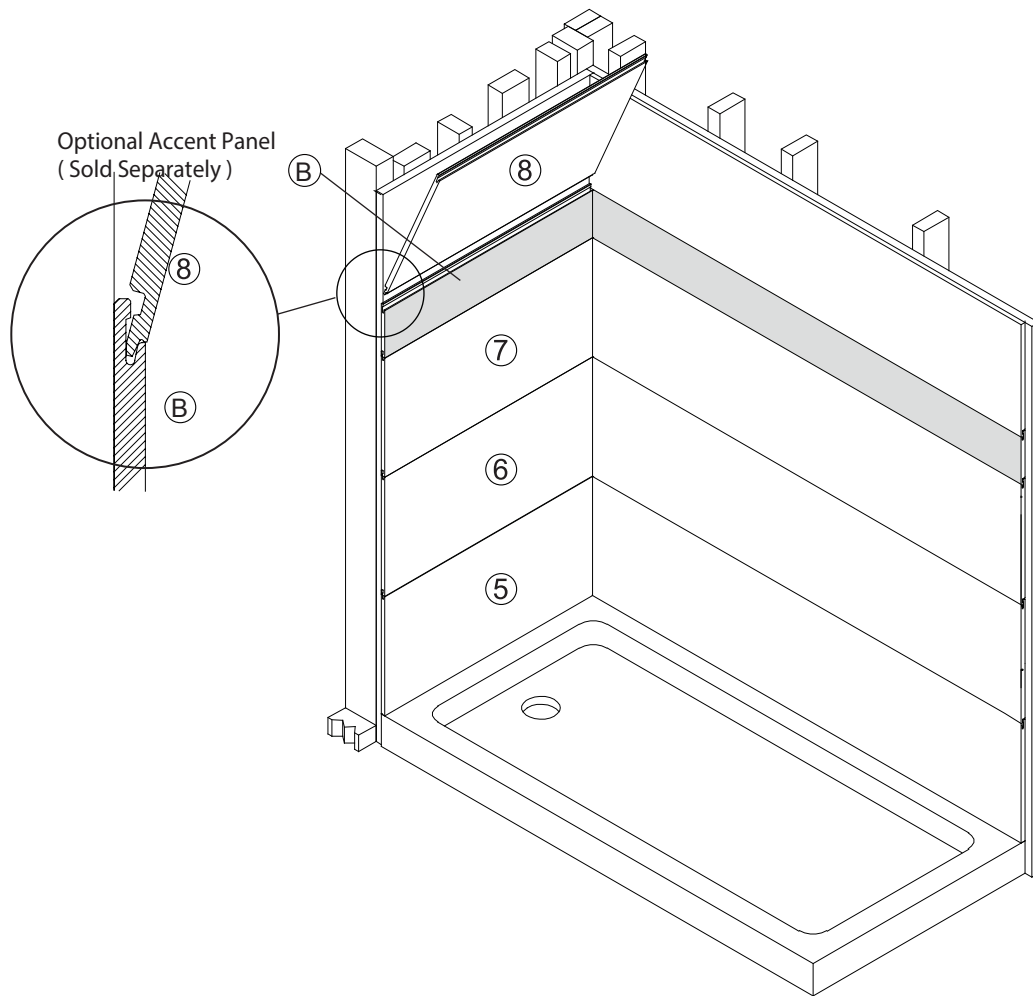


6. Press against the wall smoothing out any air bubbles along the entire area and then lightly tap on wall panel with a rubber mallet from top to bottom to ensure it is tightly connected to the wall.

12b**INSTALL LEFT SIDE WALL PANEL**

Important Note: The arrows on the label on the back of each panel indicate the TOP of the Panel.

1. Lay **(8) Side Panel** down on a flat surface.
2. Based on your measurements from Step 1 (Measuring) cut the panel to the appropriate size and make any required plumbing cut-outs according to the instructions in Step 2 (Cutting).
3. Apply the double-sided tape and construction adhesive as explained in Step 3.
4. Peel off back of double-sided tape from the back of the beveled edge wall panel.
5. Position the panel at approximately 30 degrees, push the panel edge into the corner and then carefully push the panel back towards the wall.

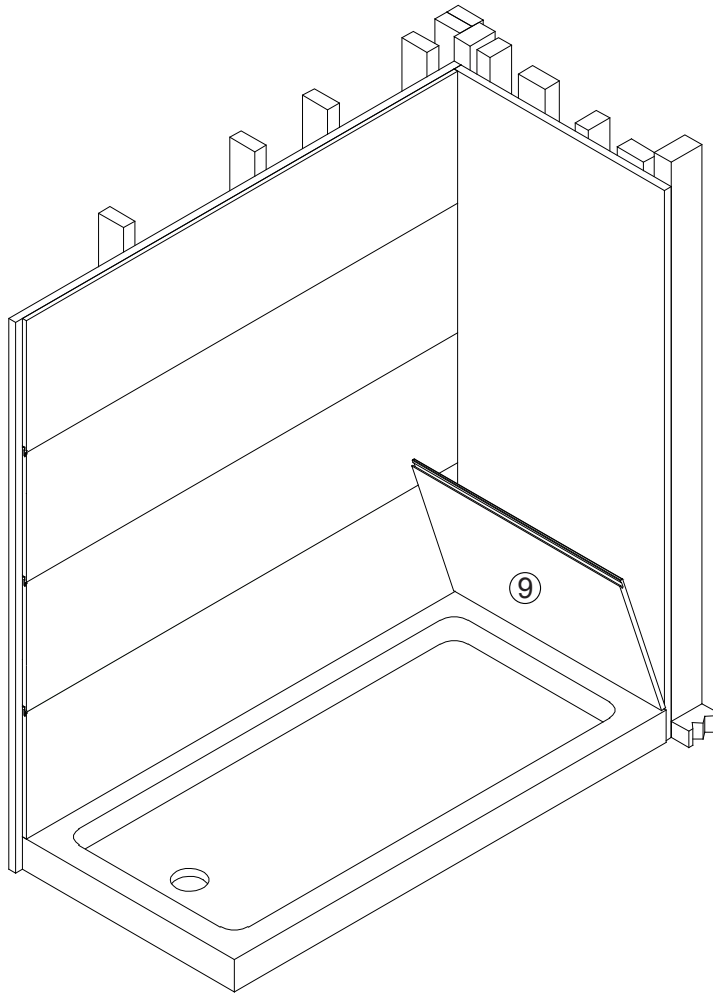


6. Press against the wall smoothing out any air bubbles along the entire area and then lightly tap on wall panel with a rubber mallet from top to bottom to ensure it is tightly connected to the wall.

13 INSTALL RIGHT SIDE WALL PANEL

Important Note: The arrows on the label on the back of each panel indicate the TOP of the Panel.

1. Locate the panel labeled **(9) Side Panel** and lay it down on a flat surface.
2. Based on your measurements from Step 1 (Measuring) cut the panel to the appropriate size and make any required plumbing cut-outs according to the instructions in Step 2 (Cutting).
3. Apply the double-sided tape and construction adhesive as explained in Step 3.
4. Peel off back of double-sided tape from the back of the beveled edge wall panel.
5. Position the panel at approximately 30 degrees, push the panel edge into the corner and then carefully push the panel back towards the wall. Shim if necessary.

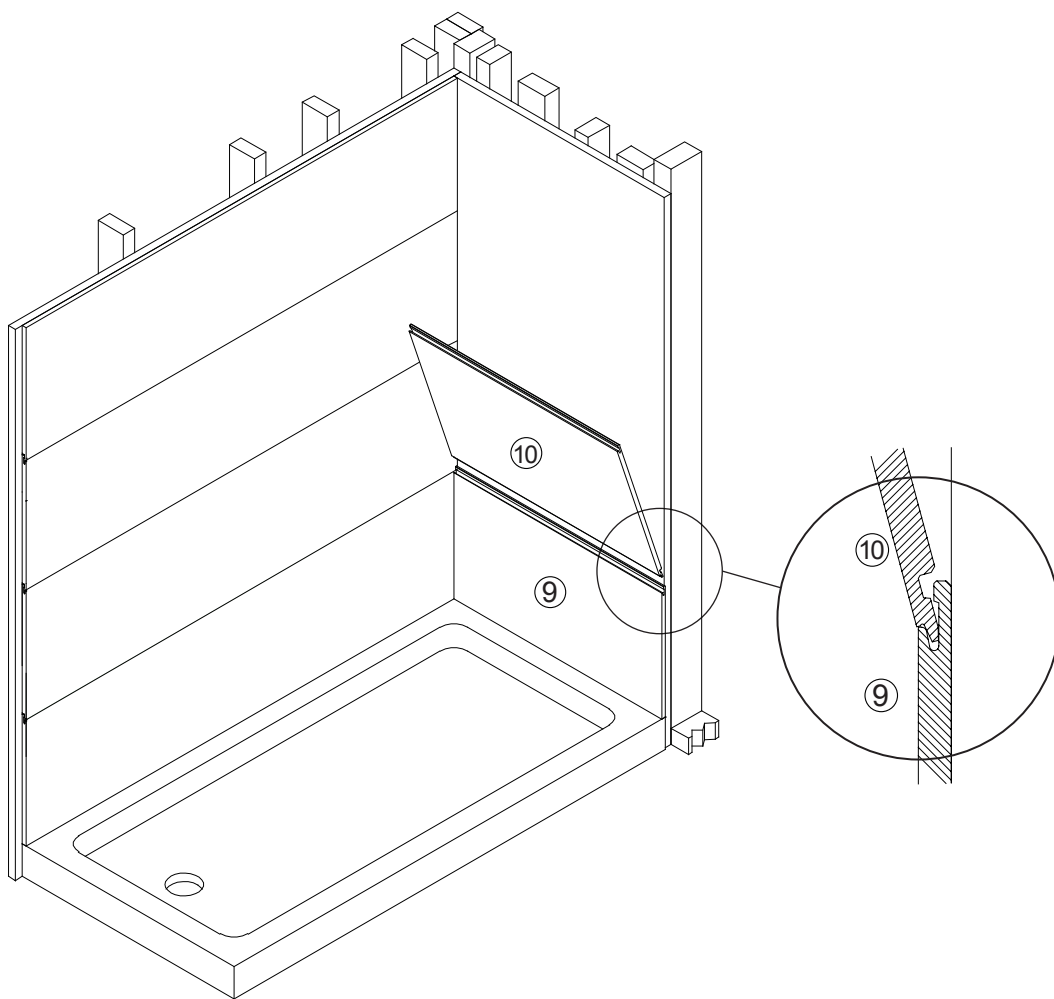


6. Press against the wall smoothing out any air bubbles along the entire area and then lightly tap on wall panel with a rubber mallet from top to bottom to ensure it is tightly connected to the wall.

14**INSTALL RIGHT SIDE WALL PANEL**

Important Note: The arrows on the label on the back of each panel indicate the TOP of the Panel.

1. Lay **(10) Side Panel** down on a flat surface.
2. Based on your measurements from Step 1 (Measuring) cut the panel to the appropriate size and make any required plumbing cut-outs according to the instructions in Step 2 (Cutting).
3. Apply the double-sided tape and construction adhesive as explained in Step 3.
4. Peel off back of double-sided tape from the back of the beveled edge wall panel.
5. Position the panel at approximately 30 degrees, push the panel edge into the corner and then carefully push the panel back towards the wall.

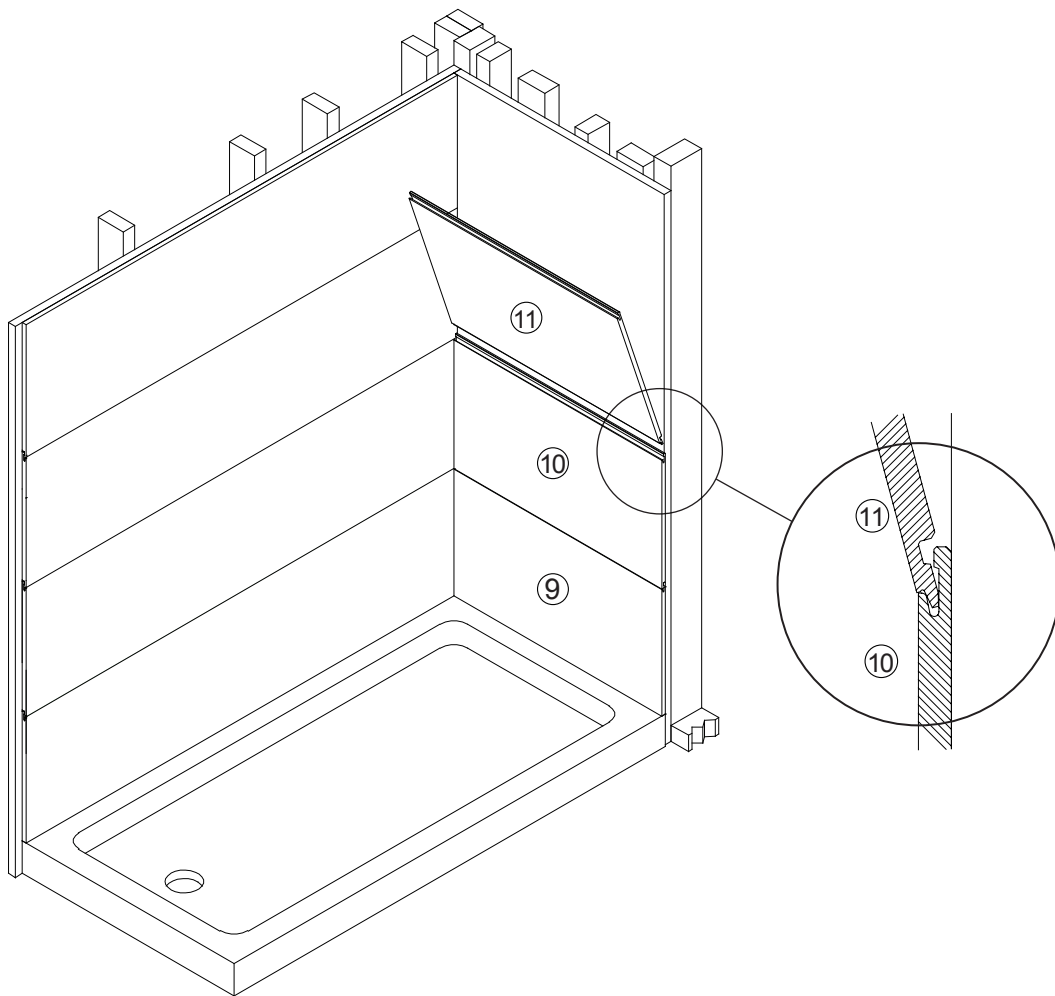


6. Press against the wall smoothing out any air bubbles along the entire area and then lightly tap on wall panel with a rubber mallet from top to bottom to ensure it is tightly connected to the wall.

15 **INSTALL RIGHT SIDE WALL PANEL**

Important Note: The arrows on the label on the back of each panel indicate the TOP of the Panel.

1. Lay **(11)** *Side Panel* down on a flat surface.
2. Based on your measurements from Step 1 (Measuring) cut the panel to the appropriate size and make any required plumbing cut-outs according to the instructions in Step 2 (Cutting).
3. Apply the double-sided tape and construction adhesive as explained in Step 3.
4. Peel off back of double-sided tape from the back of the beveled edge wall panel.
5. Position the panel at approximately 30 degrees, push the panel edge into the corner and then carefully push the panel back towards the wall.



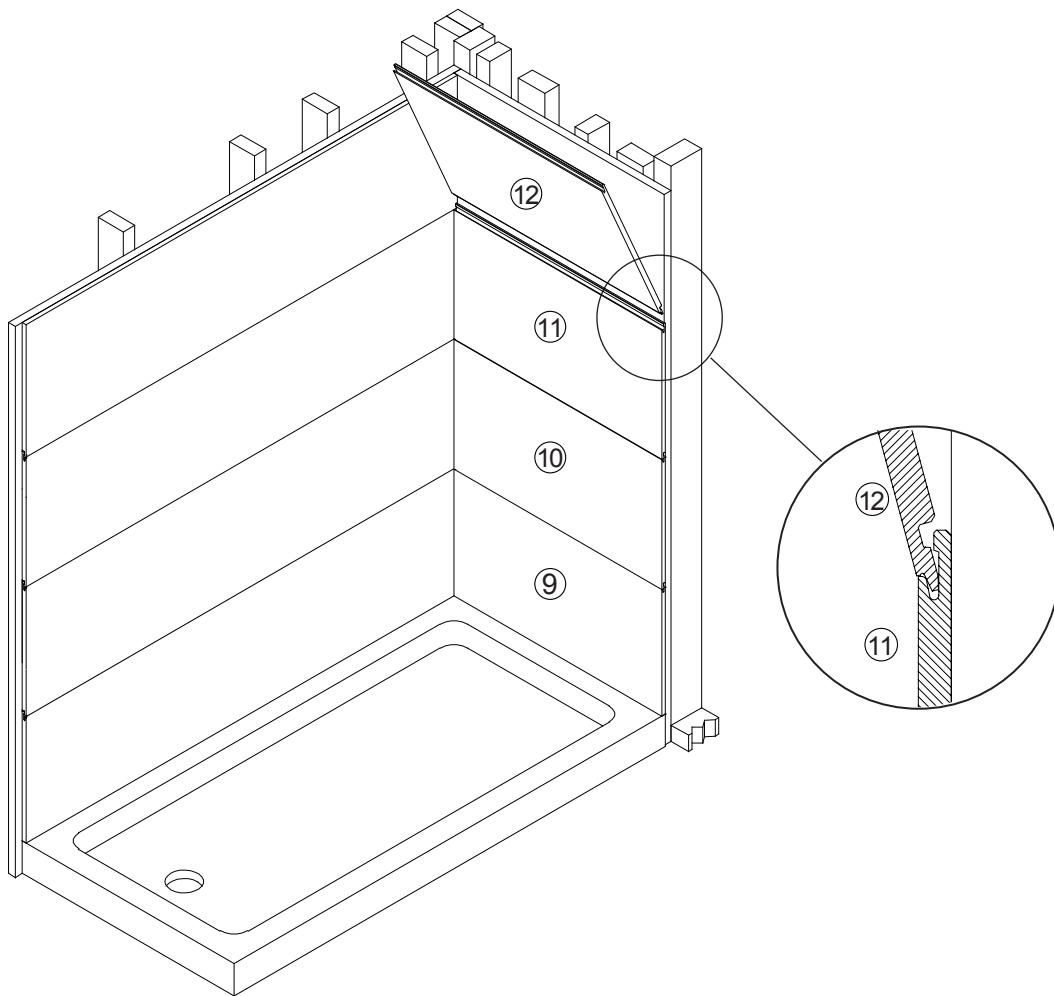
6. Press against the wall smoothing out any air bubbles along the entire area and then lightly tap on wall panel with a rubber mallet from top to bottom to ensure it is tightly connected to the wall.

16**INSTALL RIGHT SIDE WALL PANEL**

Important Note: The arrows on the label on the back of each panel indicate the TOP of the Panel.

1. Lay **(12) Side Panel** down on a flat surface.
2. Based on your measurements from Step 1 (Measuring) cut the panel to the appropriate size and make any required plumbing cut-outs according to the instructions in Step 2 (Cutting).
3. Apply the double-sided tape and construction adhesive as explained in Step 3.
4. Peel off back of double-sided tape from the back of the beveled edge wall panel.
5. Position the panel at approximately 30 degrees, push the panel edge into the corner and then carefully push the panel back towards the wall.

Note: If not installing with Accent Panel, go to Step 17.



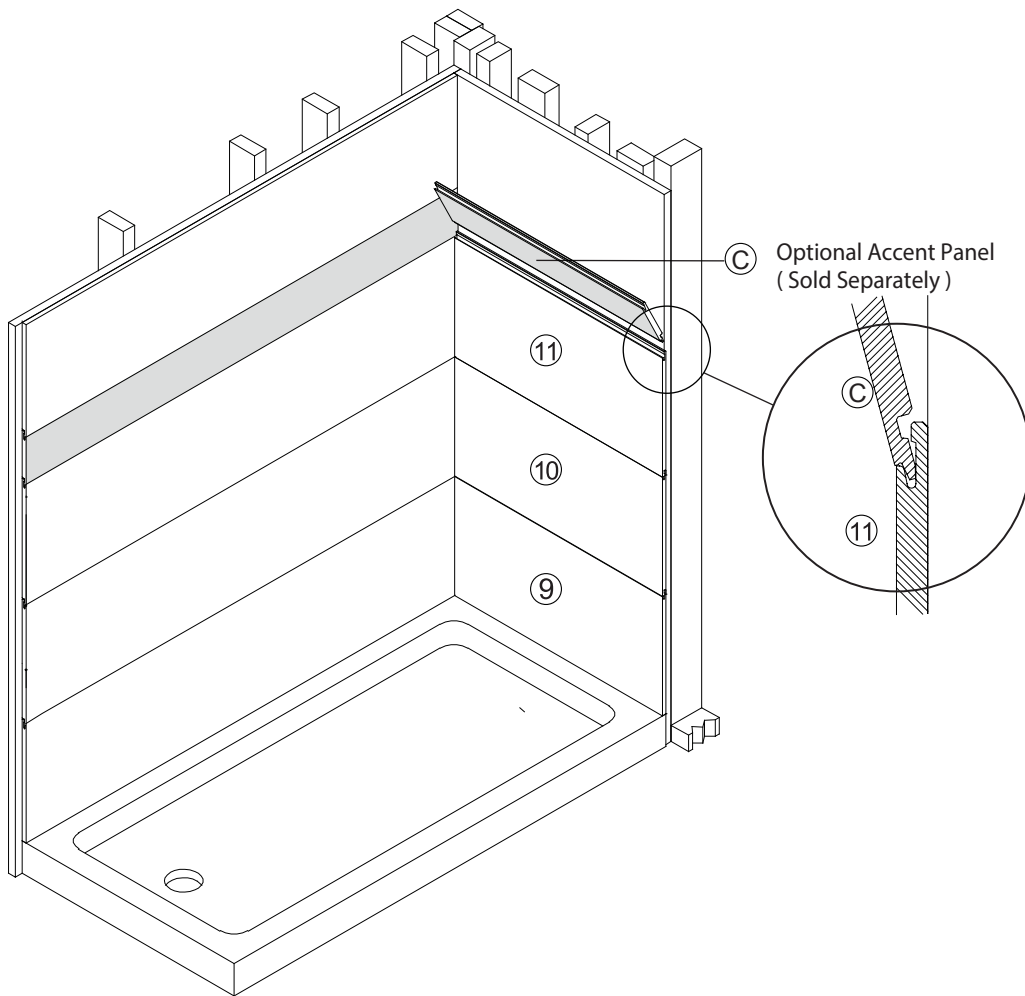
6. Press against the wall smoothing out any air bubbles along the entire area and then lightly tap on wall panel with a rubber mallet from top to bottom to ensure it is tightly connected to the wall.

16a

INSTALL RIGHT SIDE ACCENT PANEL

Important Note: The arrows on the label on the back of each panel indicate the TOP of the Panel.

1. Lay (C) *Side Accent Panel* down on a flat surface.
2. Based on your measurements from Step 1 (Measuring) cut the panel to the appropriate size and make any required plumbing cut-outs according to the instructions in Step 2 (Cutting).
3. Apply the double-sided tape and construction adhesive as explained in Step 3.
4. Peel off back of double-sided tape from the back of the side accent panel.
5. Position the panel at approximately 30 degrees, push the panel edge into the corner and then carefully push the panel back towards the wall.



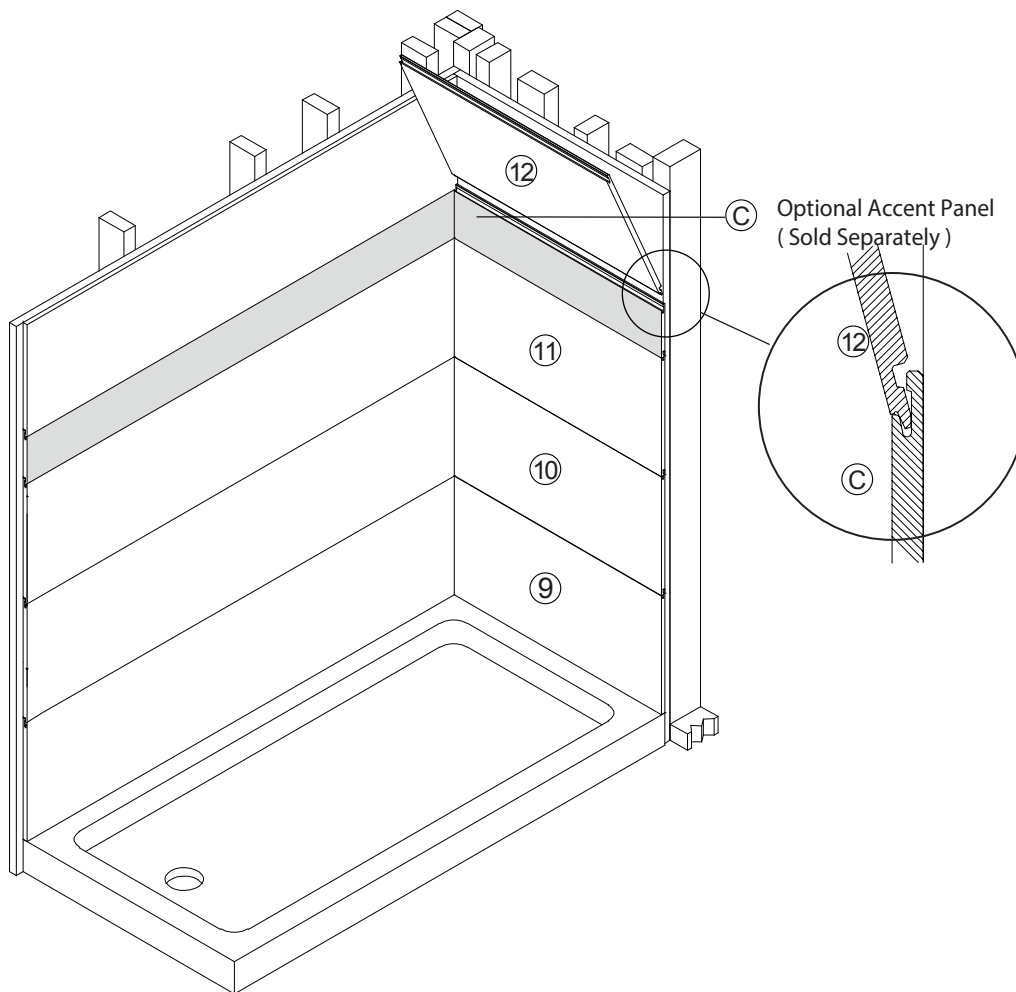
6. Press against the wall smoothing out any air bubbles along the entire area and then lightly tap on wall panel with a rubber mallet from top to bottom to ensure it is tightly connected to the wall.

16b

INSTALL RIGHT SIDE WALL PANEL

Important Note: The arrows on the label on the back of each panel indicate the TOP of the Panel.

1. Lay **(12) Side Panel** down on a flat surface.
2. Based on your measurements from Step 1 (Measuring) cut the panel to the appropriate size and make any required plumbing cut-outs according to the instructions in Step 2 (Cutting).
3. Apply the double-sided tape and construction adhesive as explained in Step 3.
4. Peel off back of double-sided tape from the back of the beveled edge wall panel.
5. Position the panel at approximately 30 degrees, push the panel edge into the corner and then carefully push the panel back towards the wall.



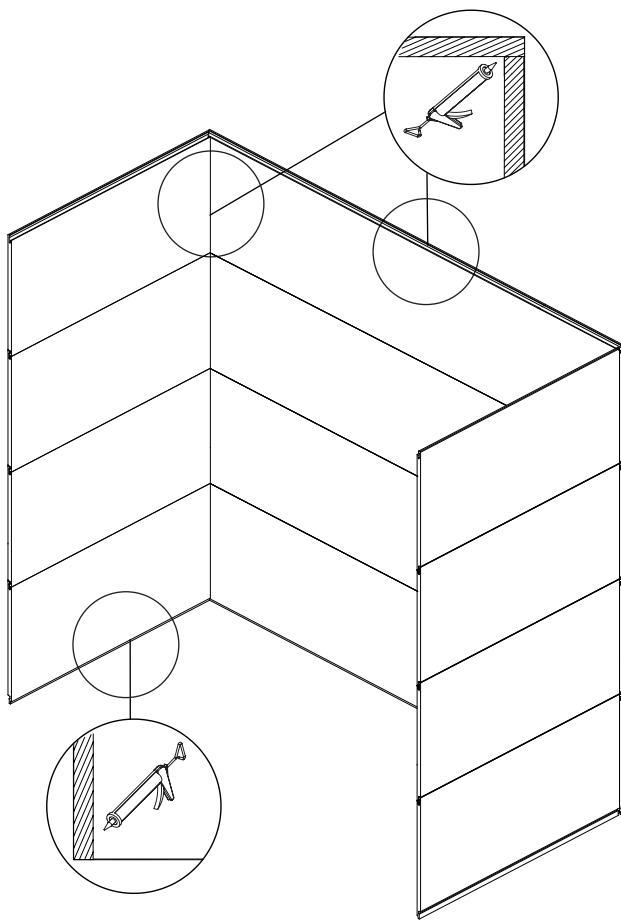
6. Press against the wall smoothing out any air bubbles along the entire area and then lightly tap on wall panel with a rubber mallet from top to bottom to ensure it is tightly connected to the wall.

17 CAULK CORNERS AND EDGES

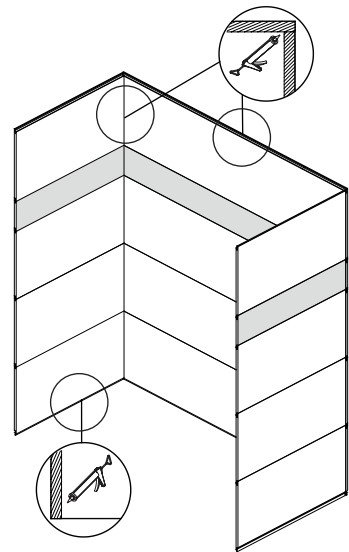
Properly caulk around the JETCOAT® Shower Wall System to insure a secure fit and finish. This includes but is not limited to:

- Interior corners where shower walls meet
- Corners where the walls meet the base
- Outer edge of Side Wall Panels
- Caulking along the top edge of the entire enclosure is not required but may help contribute to a finished look.

Important Note: Please keep the entire area dry for a minimum of 24 hours to allow the caulk and construction adhesive to properly cure.



INSTALLATION: OPTIONAL ACCENT PANEL



LIMITED WARRANTY

FGI Industries, Ltd., warrants to the original purchaser that this JETCOAT[®] Shower Wall System kit will be free of manufacturing defects, which affect its performance as a bathing or showering fixture, under the following conditions and subject to the limitations contained in the “Remedies” and “Warranty Limitations” sections.

Please go here to register:

USA: www.craftandmain.com

CANADA: www.craftandmain.ca

The Limited Warranty applies for 10 years from the date of purchase if the fixture is used in a residential owner-occupied building for non-commercial purposes; or for 2 years from the date of purchase if it is used in any other building, including any building used for rental, commercial, or business purposes.

- This Limited Warranty is void if the fixture is not installed in accordance with the installation instructions supplied by JETCOAT[®], or local building codes and ordinances, or if the care and cleaning instructions supplied by JETCOAT[®] are not followed.
- This Limited Warranty is also void if the fixture is moved from the location of its initial installation, or is subjected to accident, abuse, or misuse.
- The Limited Warranty excludes normal wear and tear, and does not cover damage that can be repaired by following the Scratch Removal Instructions.
- This Limited Warranty shall be void unless any failure or non-conformance is discovered before the expiration of this warranty, and is reported to FGI Industries, Ltd. in writing, accompanied by the original proof purchase, within 30 days of discovery.

REMEDIES:

The original purchaser’s remedy under this Limited Warranty is limited to the repair, replacement, or refund of the purchase price of the fixture, at FGI Industries, Ltd. sole option, of any part of the fixture which has failed or does not conform to the manufacturer’s specifications.

In no event shall FGI Industries, Ltd. be liable for lost profits, loss of use, incidental, special or consequential damages including, but not limited to, damage to or loss of use of the building or its contents, arising out of any defect in the fixture; nor shall FGI Industries, Ltd. be liable for any amount in excess of the original purchase price of the fixture.

FGI Industries, Ltd. reserves the right to require the return, at purchaser’s expense, of the damaged fixture for repair or exchange before providing services under this Limited Warranty. If FGI Industries, Ltd. elects to replace the fixture, its obligation is limited to supplying a replacement unit or component part of comparable size and style, and does not include the cost of removal, installation, or transportation, which must be borne by the purchaser.

Replacement parts provided under this Limited Warranty are warranted for the remainder of the original warranty period applicable to the fixture, as if such parts were original components of that fixture.

WARRANTY LIMITATIONS:

THERE ARE NO WARRANTIES WHICH EXTEND BEYOND THE DESCRIPTION ON THE FACE HEREOF. IMPLIED WARRANTIES, INCLUDING THOSE OF MERCHANTABILITY OR FITNESS FOR A PARTICULAR PURPOSE, ARE EXPRESSLY DISCLAIMED. FGI INDUSTRIES, LTD. DISCLAIMS ANY AND ALL LIABILITY FOR SPECIAL, INCIDENTAL OR CONSEQUENTIAL DAMAGES. Some states or provinces do not allow limitations of incidental or consequential damages, so the above limitations and exclusions may not apply to you. In such states or provinces, FGI Industries, Ltd. liability shall be limited to the extent permitted by state or provincial law. ANY IMPLIED WARRANTIES ARISING BY WAY OF STATE OR PROVINCIAL LAW, INCLUDING ANY IMPLIED WARRANTY OF MERCHANTABILITY OR ANY IMPLIED WARRANTY OF FITNESS FOR A PARTICULAR PURPOSE, ARE LIMITED IN DURATION AND IN SCOPE OF COVERAGE TO THE TERMS OF THIS LIMITED WARRANTY, UNLESS A SHORTER PERIOD IS ALLOWED BY LAW.

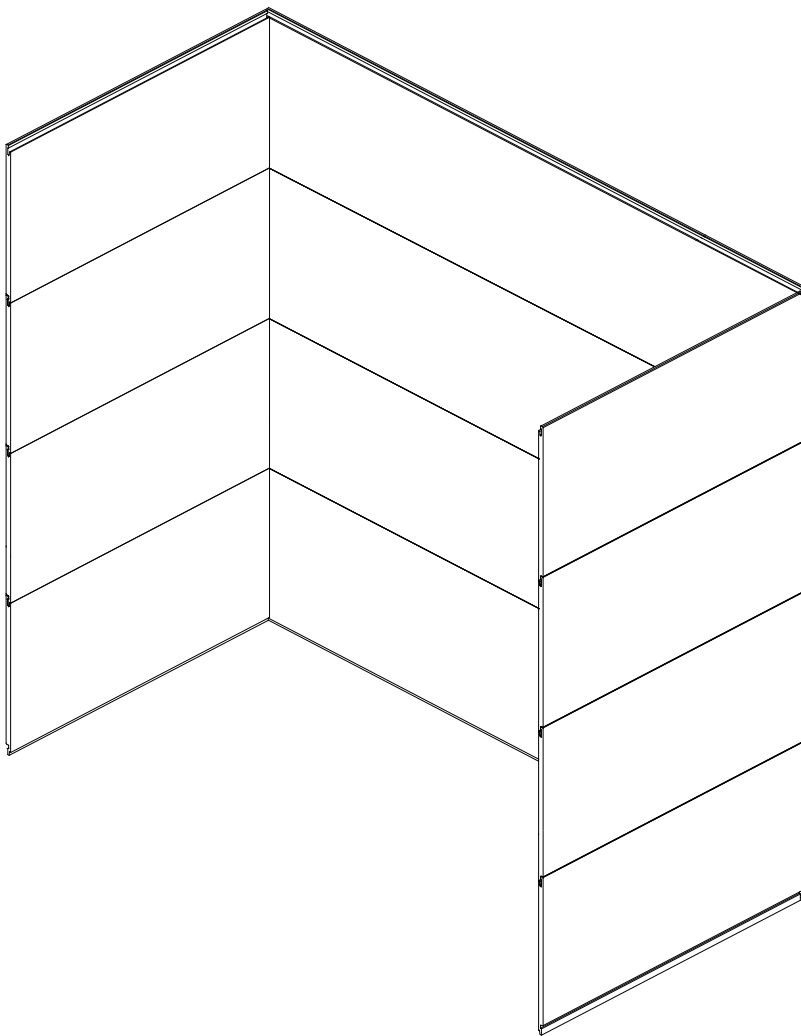
CRAFT + MAIN®
JETCOAT®
SHOWER WALL SYSTEM

FLEX™
MODÈLE N° :
FLX603280

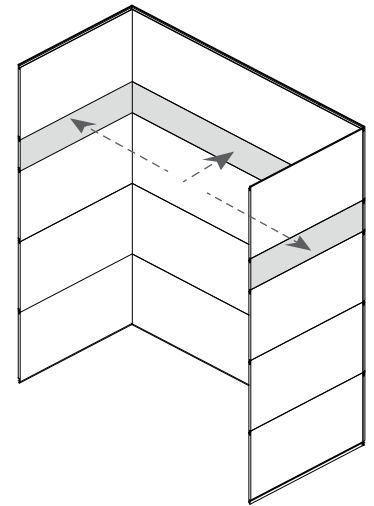
LISEZ LES INSTRUCTIONS ATTENTIVEMENT

Familiarisez-vous avec toutes les pièces illustrées dans la vue éclatée. La vue éclatée servira également de référence utile pour l'emplacement des différentes pièces et la façon dont elles sont installées.

COPIEZ LE NUMÉRO DE MODÈLE POUR VOS DOSSIERS ICI



**Panneau d'Appoint Facultatif
(Vendu Séparément)**



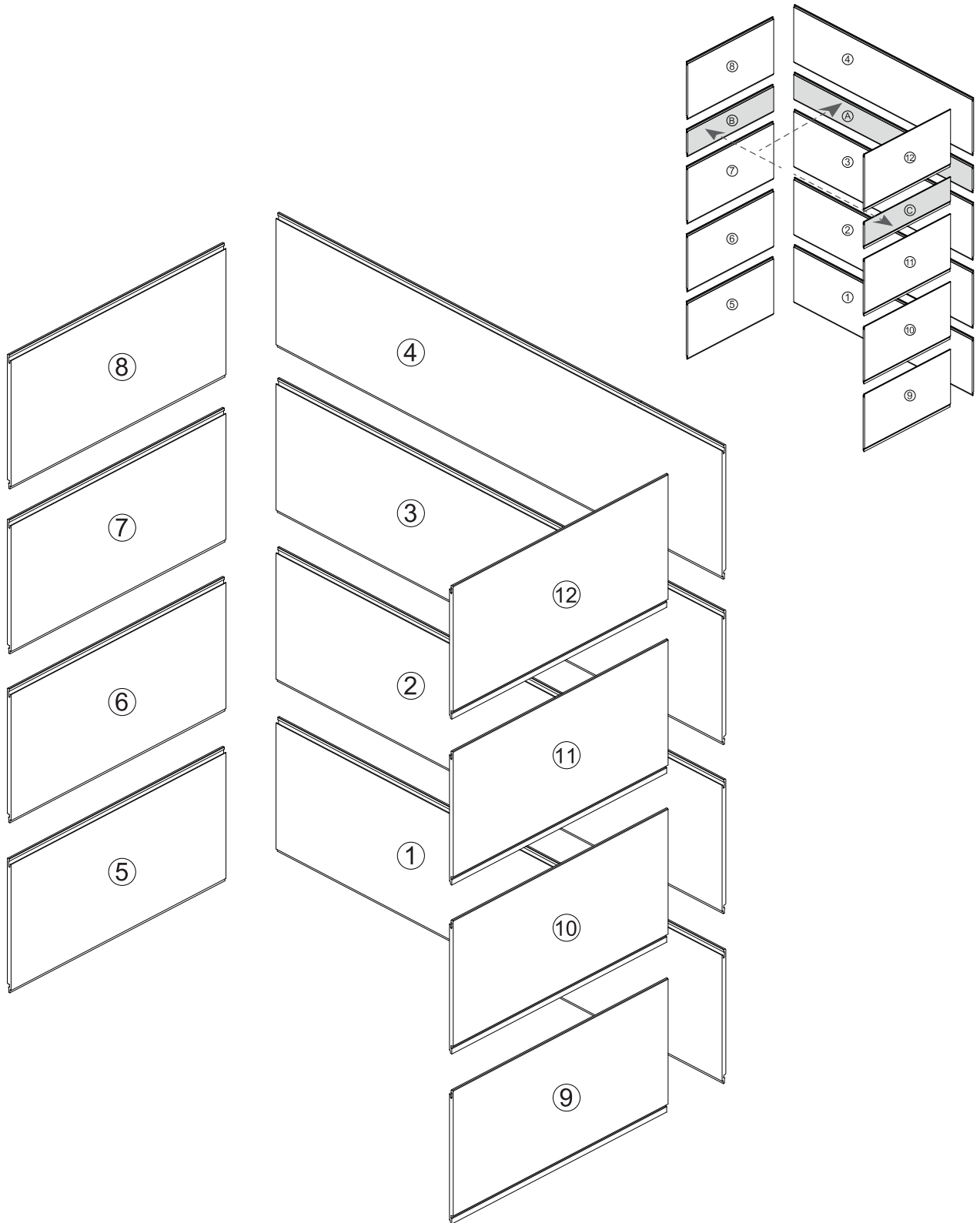
Ligne d'Assistance À La Clientèle Sans Frais
Du Lundi Au Vendredi Entre 7h30 et 17h00, HNC

1 888 620-3667 Pour Les Clients Des États-Unis
1 888 256-7551 Pour Les Clients Du Canada

906 Murray Rd., East Hanover, NJ 07936
USA: www.craftandmain.com

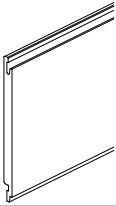
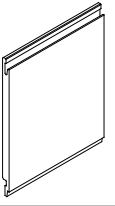
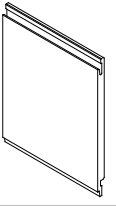
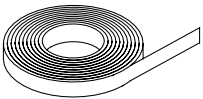
5970 Chedworth Way, Unit B, Mississauga, Ontario, Canada L5R 4G5
CANADA: www.craftandmain.ca

Panneau d'Appoint Facultatif
(Vendu Séparément)

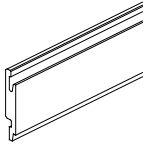
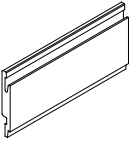
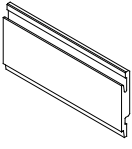


ATTENTION : Ne posez pas sur les coins lorsque vous manipulez.

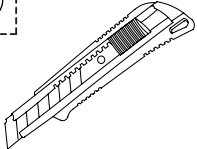
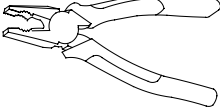
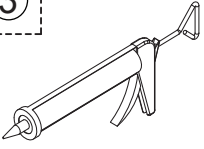
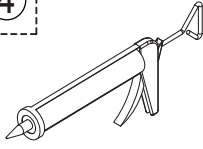
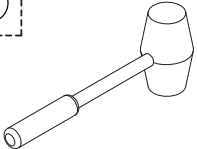
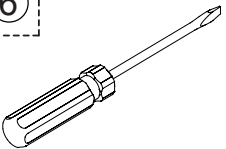
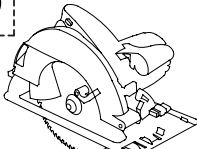
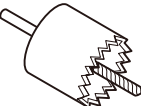
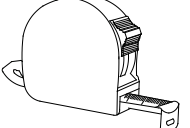
LISTE DES PIÈCES

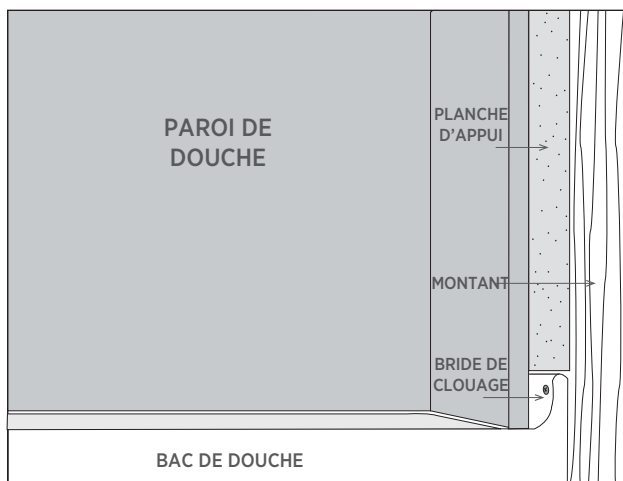
① ② ③ ④		⑤ ⑥ ⑦ ⑧		⑨ ⑩ ⑪ ⑫		⑬	
Panneau Arrière Avec Languette Et Rainure		Panneau Latéral Avec Languette Et Rainure		Panneau Latéral Avec Languette Et Rainure		Ruban Double Face De Qualité Construction	

LISTE DES PIÈCES DE PANNEAUX D'APPOINT - VENDUS SÉPARÉMENT

A		B		C	
Panneau d'Accent Arrière En Option Avec Languette Et Rainure		Panneau d'Accent Gauche En Option Avec Rainure Et Languette		Panneau d'Accent Droit En Option Avec Rainure Et Languette	

OUTILS RECOMMANDÉS

①		②		③		④			
Couteau Universel		Pince-Étau		Adhésif De Qualité Construction		Silicone			
⑤		⑥		⑦		⑧		⑨	
Maillet En Caoutchouc		Tournevis À Tête Plate		Scie Circulaire		Scie-Cloche		Ruban À Mesurer	



REMARQUE : INSTALLATION DU BAC DE DOUCHE

Lors d'une utilisation de concert avec un bac de douche doté d'une bride de clouage, la cabine de douche Jetcoat® est conçue pour être installée comme indiqué dans l'illustration. La bride de clouage du bac doit être fixée directement sur les montants nus, avec une planche d'appui fixée aux montants au-dessus de la bride de clouage. Les parois Jetcoat® sont installées sur la planche d'appui, s'étendant sur l'avant de la bride de clouage et en reposant sur le bac. Ne pas installer le bac de cette façon peut causer des problèmes lors l'installation des parois JETCOAT®.

CONSEILS PRATIQUES DE PRÉPARATION

Avant de procéder à l'installation du produit, assurez-vous qu'il ne manque aucune pièce. Vérifiez que toutes les pièces de la liste du contenu de l'emballage sont bien présentes. Si l'une des pièces est manquante ou endommagée, ne tentez pas d'assembler ou d'installer le produit.

- Commencez par mesurer la largeur totale du mur arrière, une fois qu'il est nettoyé et préparé pour l'installation.

- Si la hauteur totale des murs arrière et/ou latéraux au-dessus de la baignoire ou du bac de douche est inférieure à celle des panneaux, ceux-ci peuvent être facilement coupés à la bonne hauteur.

- Coupez l'alimentation en eau.

- Retirez toute la quincaillerie et les décorations de la douche, y compris mais non limitées aux : Manettes de robinet, rosaces, becs de remplissage, porte-serviettes et porte-savon.

- Tous les travaux de plomberie et électriques réalisés à l'intérieur des murs doivent être terminés avant l'installation des panneaux muraux.

- Les murs doivent être solides, aplombés et d'équerre à 3,17 mm près. La cabine de douche a été conçue pour pouvoir être recoupée, pour résoudre les petits problèmes d'alignement.

- La surface de montage doit être nettoyée et préparée conformément à la procédure d'installation.

- Si vous envisagez d'installer un accessoire encastré, coupez le panneau en conséquence, une fois qu'il est complètement installé et qu'il a eu suffisamment de temps pour coller au mur. N'oubliez pas de tenir compte des montants muraux lorsque vous positionnez l'accessoire.

CONSEILS PRATIQUES POUR L'APPLICATION DU CALFEUTRE :

- Suivez les instructions sur le tube de calfeutre choisi.

- Une fois que vous avez terminé le projet, examinez toutes les surfaces sur lesquelles vous avez appliqué du calfeutre pour vérifier qu'il n'y a aucun vide, en le remplissant le cas échéant.

- Retirez tout excès de calfeutre à l'aide d'un alcool dénaturé et d'un linge propre. Faites attention et ne portez atteinte à aucun des joints matés.

PROCÉDURE D'INSTALLATION :

La cabine de douche peut être installée par-dessus divers produits. Veuillez consulter un entrepreneur professionnel, si vous avez l'intention de poser les panneaux sur une surface autre que celles décrites ici.

CIMENT/BÉTON :

- Selon l'état (planéité) du mur existant, une quantité de silicone supplémentaire peut s'avérer nécessaire pour fixer solidement les panneaux muraux au substrat.

- La surface doit être tout à fait propre. C'est-à-dire, sans y être limité, exempt de : Résidus de savon, poussière et tout autre contaminant qui peuvent nuire à l'adhérence. Les carreaux de céramique n'ont pas besoin d'être retirés s'ils sont bien collés.

- Recommandation : La surface complète doit être scellée de deux couches de scellant à base d'eau ou d'huile, pour assurer une bonne adhérence de la cabine de douche.

- Terminez l'installation des panneaux muraux en suivant le guide d'instructions, une fois que le scellant est complètement sec.

MASONITE :

- La surface doit être tout à fait propre. C'est-à-dire, sans y être limité, exempt de : Résidus de savon, poussière et tout autre contaminant qui peuvent nuire à l'adhérence.

- Facultatif : La surface complète doit être scellée de deux couches de scellant à base d'eau ou d'huile, pour assurer une bonne adhérence de la cabine de douche.

- Terminez l'installation des panneaux muraux en suivant le guide d'instructions, une fois que le scellant est complètement sec.

ANCIEN CARREAU :

IMPORTANT : Tous les carreaux en plastique doivent être retirés. Les anciens carreaux de céramique n'ont pas besoin d'être retirés s'ils sont bien collés.

- Selon l'état (planéité) du mur existant, une quantité de silicone supplémentaire peut s'avérer nécessaire pour fixer solidement les panneaux muraux au substrat.

- Retirez ou recollez correctement tous les carreaux de céramique lâches.

- Retirez tous les accessoires de carreaux fixés au mur. La surface doit être tout à fait propre. C'est-à-dire, sans y être limité, exempt de résidus de savon, de poussière et de tout autre contaminant pouvant nuire à l'adhérence.

- Terminez l'installation de la cabine de douche en suivant le guide d'instructions.

PLÂTRE :

- Une quantité de silicone supplémentaire peut s'avérer nécessaire pour fixer solidement le substrat et le panneau mural, selon l'état du mur existant.

- Lissez tous les finis texturés ou à spirales en les ponçant.

- La surface doit être tout à fait propre. C'est-à-dire, sans y être limité, exempt de résidus de savon, de poussière et de tout autre contaminant pouvant nuire à l'adhérence.

- Recommandation : La surface complète doit être scellée de deux couches de scellant à base d'eau ou d'huile, pour assurer une bonne adhérence de la cabine de douche.

- Terminez l'installation des panneaux muraux en suivant le guide d'instructions, une fois que le scellant est complètement sec.

PLAQUE DE PLÂTRE/PANNEAU VERT/PANNEAU DE CIMENT/BOIS :

- La surface doit être tout à fait propre et sans résidus de savon, de poussière et de tout autre contaminant pouvant nuire à l'adhérence.

- Facultatif : La surface complète doit être scellée de deux couches de scellant à base d'eau ou d'huile, pour assurer une bonne adhérence de la cabine de douche.

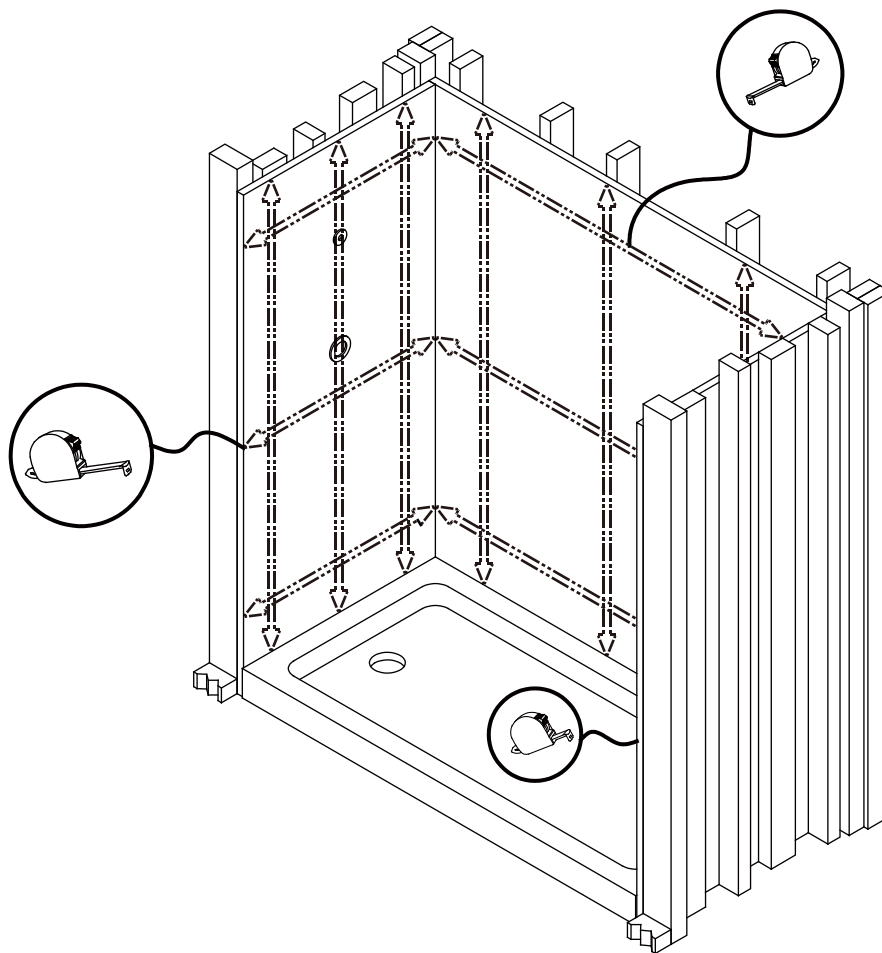
- Terminez l'installation des panneaux muraux en suivant le guide d'instructions, une fois que le scellant est complètement sec.

1 PRISE DE MESURES

1. Mesurez la hauteur de la surface d'installation aux deux extrémités de chaque mur. À partir du haut de la baignoire ou du bac de douche et jusqu'au plafond. Si la hauteur du plafond est inférieure à celle des panneaux compris dans votre prêt-à-monter, les panneaux peuvent être raccourcis à l'aide de la procédure de coupe décrite à l'étape 2.
2. Mesurez la largeur de chaque mur en haut et en bas de la surface d'installation.

Remarque Importante :

- Un produit standard comprend 12 panneaux muraux.
- L'ajout de panneaux d'appoint facultatifs augmente le nombre total de panneaux muraux à 15, ce qui augmente la hauteur totale de 20,32 cm (8 pouces). Faites preuve de prudence au cours du processus de prise de mesures et de coupe.
- Les étapes 2 et 3 seront répétées lors de l'installation de l'ensemble standard de 12 panneaux et de l'ensemble d'appoint facultatif de 15 panneaux.



2 COUPER

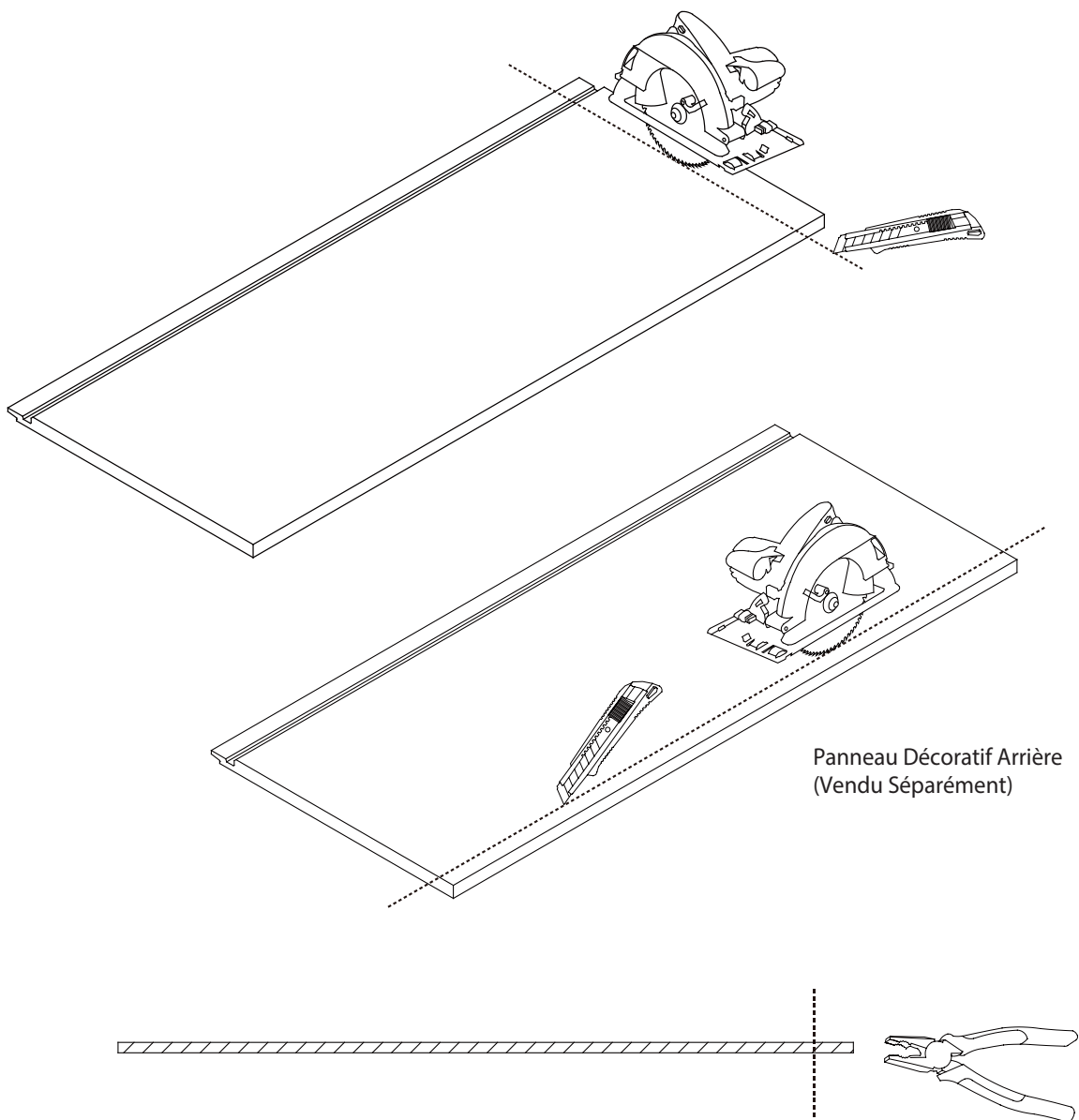
Remarque Importante : Les flèches figurant sur l'étiquette au dos de chaque panneau indiquent le HAUT du panneau. Il faut suivre les instructions de coupe suivantes pour toutes les coupes.

Couper Les Panneaux À La Bonne Taille :

1. Tracez une ligne avec soin au dos de chaque panneau, là où la coupe sera effectuée. Tout ajustement pour un mur qui n'est pas d'équerre ou mal aplombé doit être envisagé quand vous tracez cette ligne.

Remarque : L'utilisation d'une règle droite est fortement recommandée, si possible.

2. Une scie circulaire est recommandée pour effectuer les coupes requises. Si vous utilisez un couteau universel, tracez la ligne plusieurs fois, puis servez-vous d'une pince-étau pour casser ce qui dépasse, comme illustré.



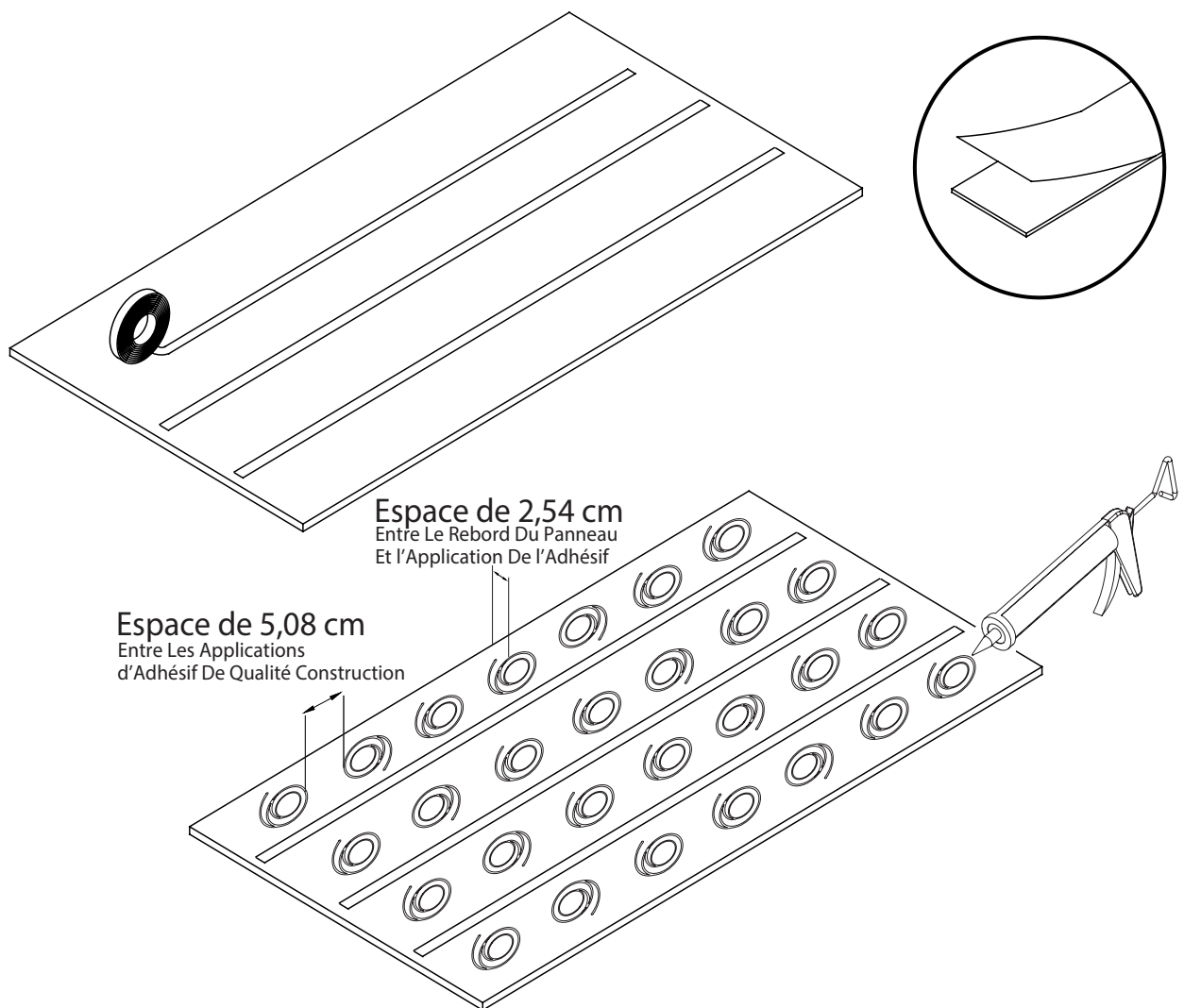
PROCÉDURE D'INSTALLATION / ÉTAPE 3

3 APPLIQUER L'ADHÉSIF ET LE RUBAN ADHÉSIF AU DOS DES PANNEAUX MURAUX

Les instructions suivantes doivent être suivies quand vous posez le ruban adhésif et l'adhésif sur chaque panneau mural.

1. Appliquez le ruban double face de qualité construction au dos de la surface murale comme illustré.
2. Appliquez l'adhésif de qualité construction sur les zones entre le ruban adhésif comme illustré selon un tracé circulaire. Les perles d'adhésif doivent être espacées de 5,08 cm (2 po) et éloignées d'au moins 2,54 cm (1 po) du rebord du panneau.

Important : Le tracé circulaire est essentiel pour une adhérence adéquate.



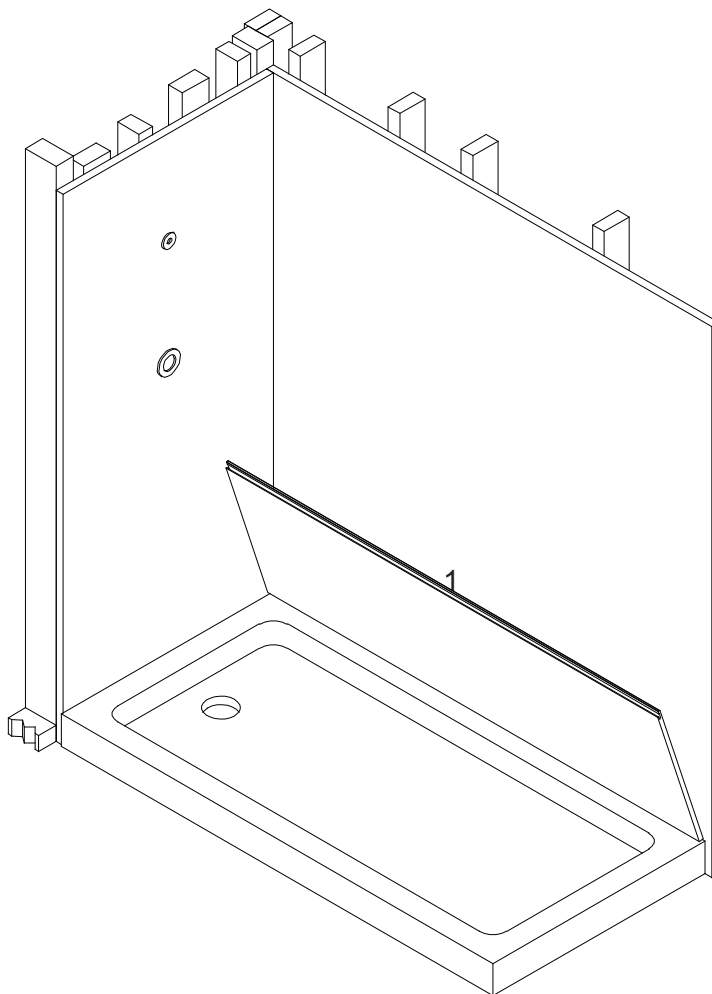
4

INSTALLER UN PANNEAU MURAL ARRIÈRE

Remarque importante : Les flèches figurant sur l'étiquette au dos de chaque panneau indiquent le HAUT du panneau.

Remarque : Votre ensemble contient quatre panneaux muraux arrière (étiquetés au dos comme **(1) Premier Panneau Arrière**, **(2) Deuxième Panneau Arrière**, **(3) Troisième Panneau Arrière**, **(4) Quatrième Panneau Arrière** et 8 panneaux muraux d'extrémité (étiquetés au dos comme **(5) (6) (7) (8) (9) (10) (11) (12) Panneau Latéral**). **Panneau d'Appoint Facultatif** (étiqueté au dos comme **(A) (B) (C) Panneau d'Appoint**).

1. Repérez le panneau étiqueté **(1) Premier Panneau Arrière** et couchez-le sur une surface plane.
2. En fonction de vos prises de mesure à l'étape 1 (Prise de mesures), coupez le panneau aux dimensions appropriées et effectuez toutes les découpes de plomberie requises, conformément aux instructions de l'étape 2 (Découpes).
3. Appliquez le ruban double face et l'adhésif de qualité construction, comme expliqué dans l'étape 3.
4. Décollez l'endos du ruban double-face du dos du panneau. Positionnez le panneau à environ 30 degrés, poussez le bord coupé dans le coin, puis poussez le panneau avec soin vers le mur arrière. Utilisez une cale au besoin.
5. Poussez le panneau fermement contre le mur en lissant le long de toute la surface pour éliminer les bulles d'air, puis tapotez légèrement le panneau mural avec un maillet en caoutchouc de haut en bas pour vous assurer qu'il est bien serré contre le mur.



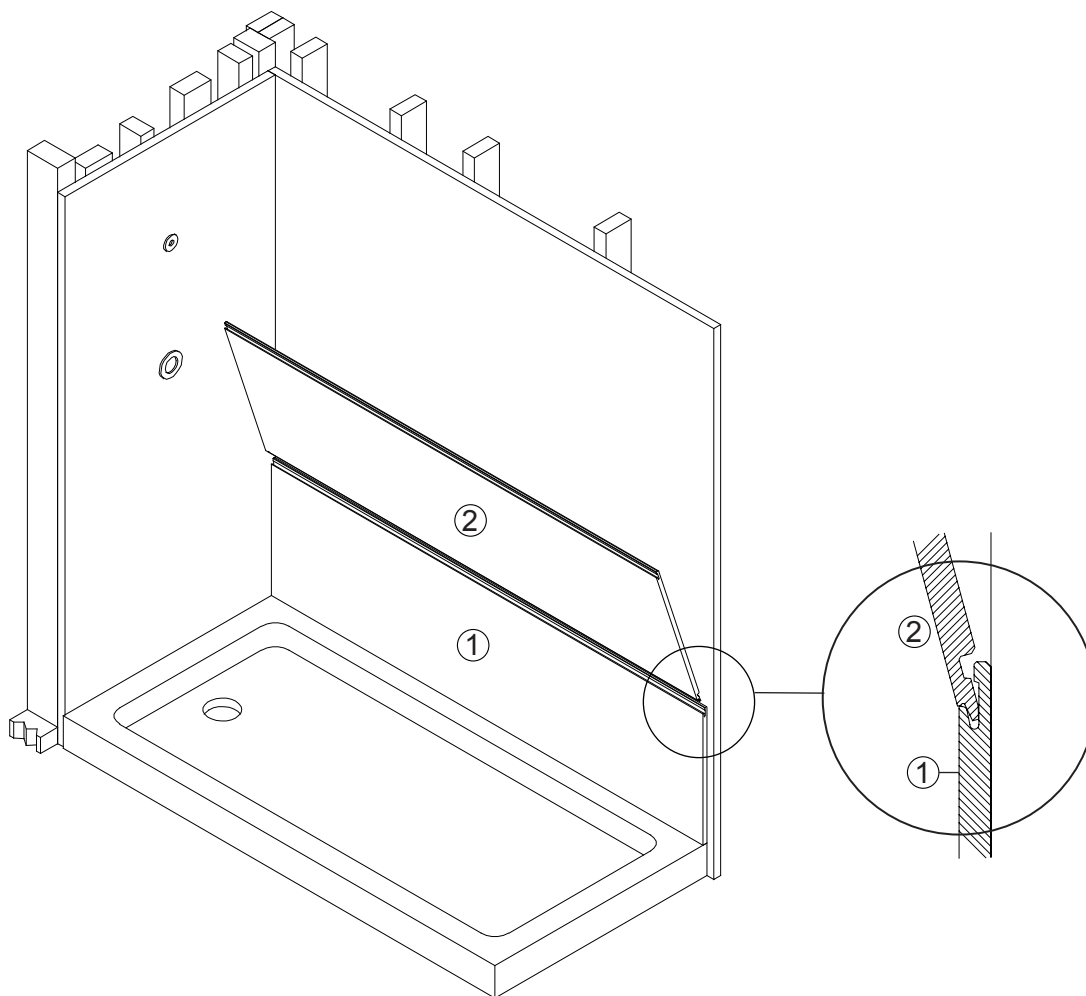
5 INSTALLER UN PANNEAU MURAL ARRIÈRE

Remarque importante : Les flèches figurant sur l'étiquette au dos de chaque panneau indiquent le HAUT du panneau.

1. Repérez le panneau étiqueté **(2) Deuxième Panneau Arrière** et couchez-le sur une surface plane.
2. En fonction de vos prises de mesure à l'étape 1 (Prise de mesures), raccourcissez la largeur au besoin (ne coupez pas les structures à emboîter, ajustez seulement la largeur), et effectuez toutes les découpes de plomberie requises, conformément aux instructions de l'étape 2 (Découpes).
3. Appliquez le ruban double face et l'adhésif de qualité construction, comme expliqué dans l'étape 3.
4. Décollez l'endos du ruban double-face du dos du panneau. Positionnez le panneau à un angle d'environ 45 degrés, et poussez soigneusement le bord de languette dans la rainure dans le bord de fuite du **(1) Premier Panneau Arrière**. Déplacez doucement le panneau en appliquant une pression vers l'avant, puis poussez-le avec soin vers le mur arrière.

Remarque Importante : Il faut faire très attention pendant l'installation de ce panneau. L'étanchéité du joint dépend de l'insertion ferme de la languette dans la rainure, avant que le panneau ne soit poussé en place, et l'alignement de la hauteur ne peut pas être ajusté une fois que le panneau s'enclenche en place.

5. Poussez fermement contre le mur en lissant le long de toute la surface pour éliminer les bulles d'air, puis tapotez légèrement le panneau mural avec un maillet en caoutchouc de haut en bas pour vous assurer qu'il est bien serré contre le mur.



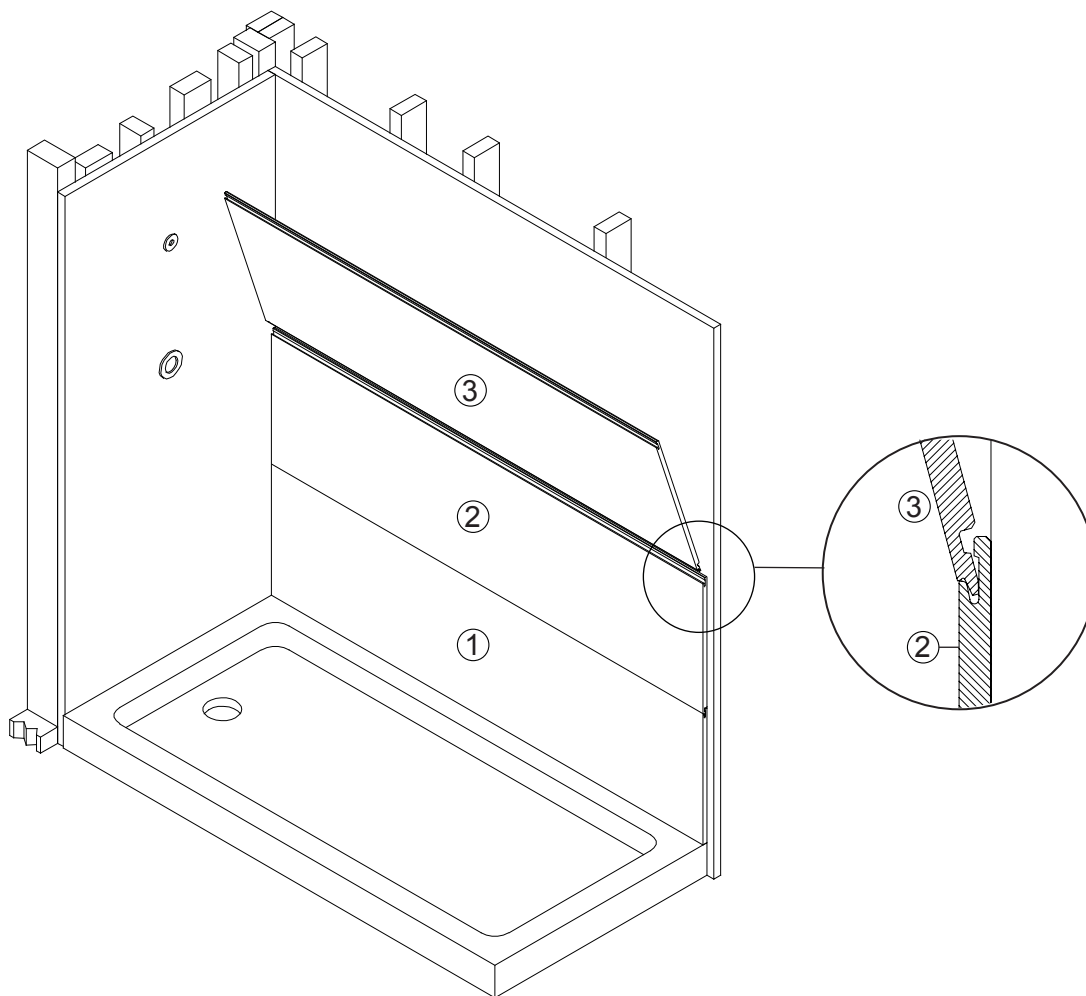
6 INSTALLER UN PANNEAU MURAL ARRIÈRE

Remarque importante : Les flèches figurant sur l'étiquette au dos de chaque panneau indiquent le HAUT du panneau.

1. Repérez le panneau étiqueté **(3) Troisième Panneau Arrière** et couchez-le sur une surface plane.
2. En fonction de vos prises de mesure à l'étape 1 (Prise de mesures), raccourcissez la largeur au besoin (ne coupez pas les structures à emboîter, ajustez seulement la largeur), et effectuez toutes les découpes de plomberie requises, conformément aux instructions de l'étape 2 (Découpes).
3. Appliquez le ruban double face et l'adhésif de qualité construction, comme expliqué dans l'étape 3.
4. Décollez l'endos du ruban double-face du dos du panneau. Positionnez le panneau à un angle d'environ 45 degrés et poussez soigneusement le bord de la languette dans la rainure dans le bord de fuite du **(2) Deuxième Panneau Arrière**. Déplacez doucement le panneau en appliquant une pression vers l'avant, puis poussez-le avec soin vers le mur arrière.

Remarque Importante : Il faut faire très attention pendant l'installation de ce panneau. L'étanchéité du joint dépend de l'insertion ferme de la languette dans la rainure, avant que le panneau ne soit poussé en place, et l'alignement de la hauteur ne peut pas être ajusté une fois que le panneau s'enclenche en place.

5. Poussez fermement contre le mur en lissant le long de toute la surface pour éliminer les bulles d'air, puis tapotez légèrement le panneau mural avec un maillet en caoutchouc de haut en bas pour vous assurer qu'il est bien serré contre le mur.



7 INSTALLER UN PANNEAU MURAL ARRIÈRE

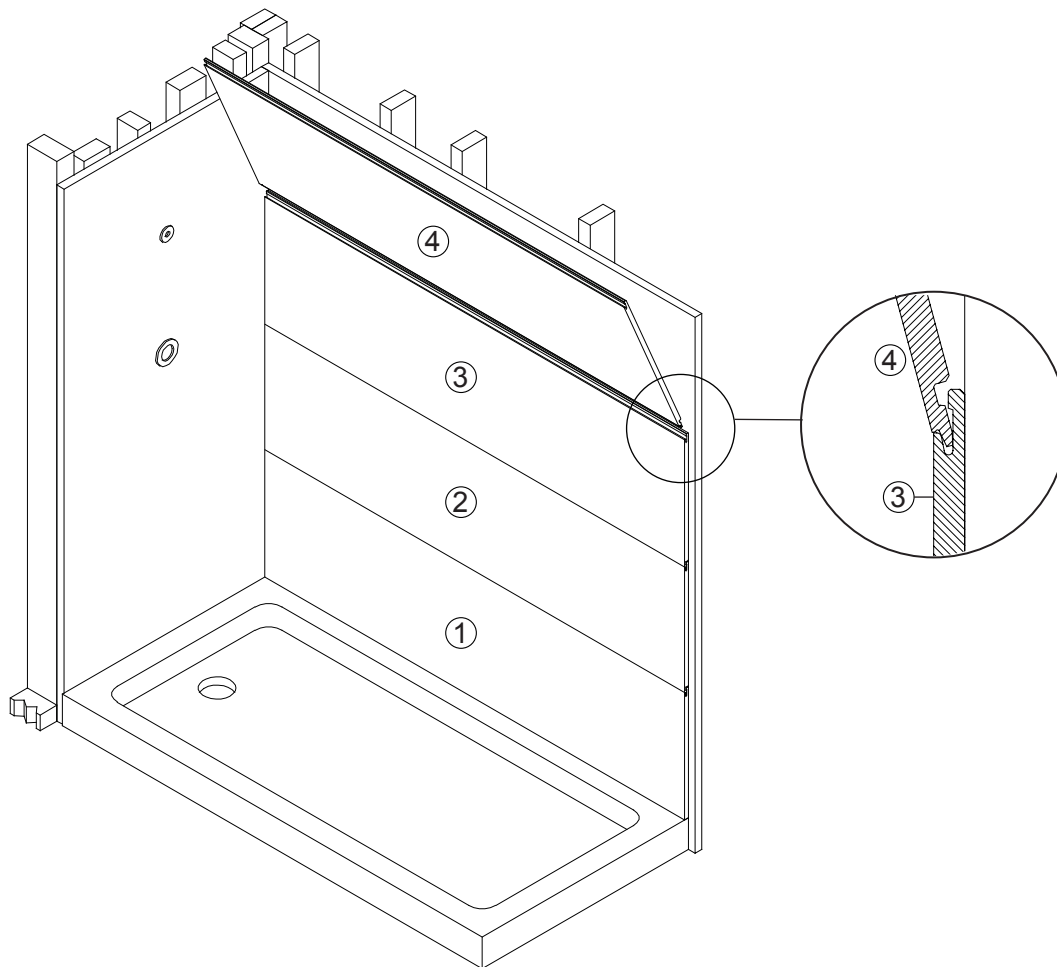
Remarque importante : Les flèches figurant sur l'étiquette au dos de chaque panneau indiquent le HAUT du panneau.

1. Repérez le panneau étiqueté **(4) Quatrième Panneau Arrière** et couchez-le sur une surface plane.
2. En fonction de vos prises de mesure à l'étape 1 (Prise de mesures), raccourcissez la largeur au besoin, et effectuez toutes les coupes de plomberie requises, conformément aux instructions de l'étape 2 (Découpes).
3. Appliquez le ruban double face et l'adhésif de qualité construction, comme expliqué dans l'étape 3.
4. Décollez l'endos du ruban double-face du dos du panneau. Positionnez le panneau à un angle d'environ 45 degrés et poussez soigneusement le bord de la languette dans la rainure dans le bord de fuite du **(3) Troisième Panneau Arrière**. Déplacez doucement le panneau en appliquant une pression vers l'avant, puis poussez-le avec soin vers le mur arrière.

Remarque Importante : Il faut faire très attention pendant l'installation de ce panneau. L'étanchéité du joint dépend de l'insertion ferme de la languette dans la rainure, avant que le panneau ne soit poussé en place, et l'alignement de la hauteur ne peut pas être ajusté une fois que le panneau s'enclenche en place.

5. Poussez fermement contre le mur en lissant le long de toute la surface pour éliminer les bulles d'air, puis tapotez légèrement le panneau mural avec un maillet en caoutchouc de haut en bas pour vous assurer qu'il est bien serré contre le mur.

Remarque : Si vous n'installez pas avec Accent Panel, passez à l'étape 8.



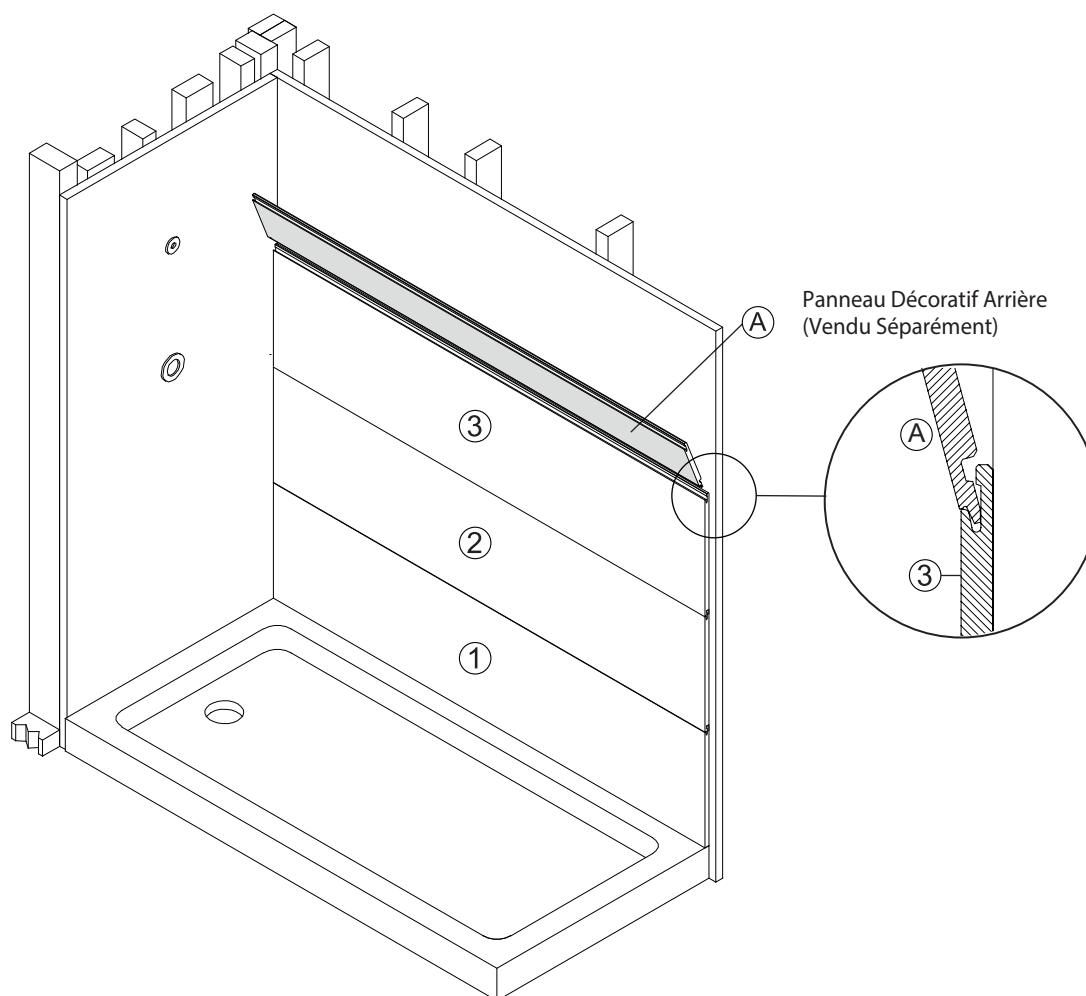
7a INSTALLER UN PANNEAU MURAL ARRIÈRE

Remarque importante : Les flèches figurant sur l'étiquette au dos de chaque panneau indiquent le HAUT du panneau.

1. Repérez le panneau étiqueté **(A) Panneau Décoratif Arrière** et couchez-le sur une surface plane.
2. En fonction de vos prises de mesure à l'étape 1 (Prise de mesures), raccourcissez la largeur au besoin (ne coupez pas les structures à emboîter, ajustez seulement la largeur), et effectuez toutes les découpes de plomberie requises, conformément aux instructions de l'étape 2 (Découpes).
3. Appliquez le ruban double face et l'adhésif de qualité construction, comme expliqué dans l'étape 3.
4. Décollez l'endos du ruban double-face du dos du panneau décoratif. Positionnez le panneau à un angle d'environ 45 degrés et poussez soigneusement le bord de la languette dans la rainure dans le bord de fuite du **(3) Troisième Panneau Arrière**. Déplacez doucement le panneau en appliquant une pression vers l'avant, puis poussez-le avec soin vers le mur arrière.

Remarque Importante : Il faut faire très attention pendant l'installation de ce panneau. L'étanchéité du joint dépend de l'insertion ferme de la languette dans la rainure, avant que le panneau ne soit poussé en place, et l'alignement de la hauteur ne peut pas être ajusté une fois que le panneau s'enclenche en place.

5. Poussez fermement contre le mur en lissant le long de toute la surface pour éliminer les bulles d'air, puis tapotez légèrement le panneau mural avec un maillet en caoutchouc de haut en bas pour vous assurer qu'il est bien serré contre le mur.



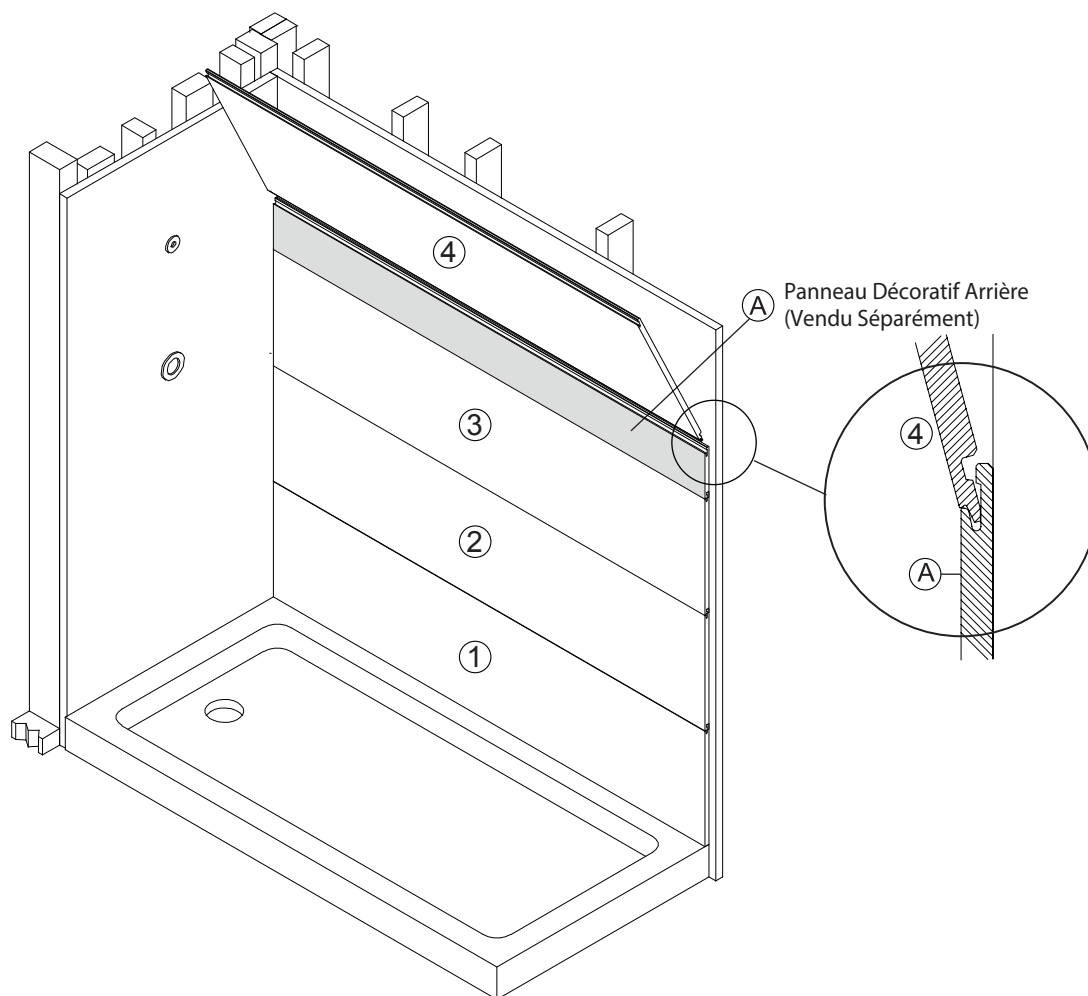
7b INSTALLER UN PANNEAU MURAL ARRIÈRE

Remarque importante : Les flèches figurant sur l'étiquette au dos de chaque panneau indiquent le HAUT du panneau.

1. Repérez le panneau étiqueté **(4) Quatrième Panneau Arrière** et couchez-le sur une surface plane.
2. En fonction de vos prises de mesure à l'étape 1 (Prise de mesures), raccourcissez la largeur au besoin, et effectuez toutes les coupes de plomberie requises, conformément aux instructions de l'étape 2 (Découpes).
3. Appliquez le ruban double face et l'adhésif de qualité construction, comme expliqué dans l'étape 3.
4. Décollez l'endos du ruban double-face du dos du panneau. Positionnez le panneau à un angle d'environ 45 degrés et poussez soigneusement le bord de la languette dans la rainure dans le bord de fuite du **(A) Panneau Décoratif Arrière**. Déplacez doucement le panneau en appliquant une pression vers l'avant, puis poussez-le avec soin vers le mur arrière.

Remarque Importante : Il faut faire très attention pendant l'installation de ce panneau. L'étanchéité du joint dépend de l'insertion ferme de la languette dans la rainure, avant que le panneau ne soit poussé en place, et l'alignement de la hauteur ne peut pas être ajusté une fois que le panneau s'enclenche en place.

5. Poussez fermement contre le mur en lissant le long de toute la surface pour éliminer les bulles d'air, puis tapotez légèrement le panneau mural avec un maillet en caoutchouc de haut en bas pour vous assurer qu'il est bien serré contre le mur.

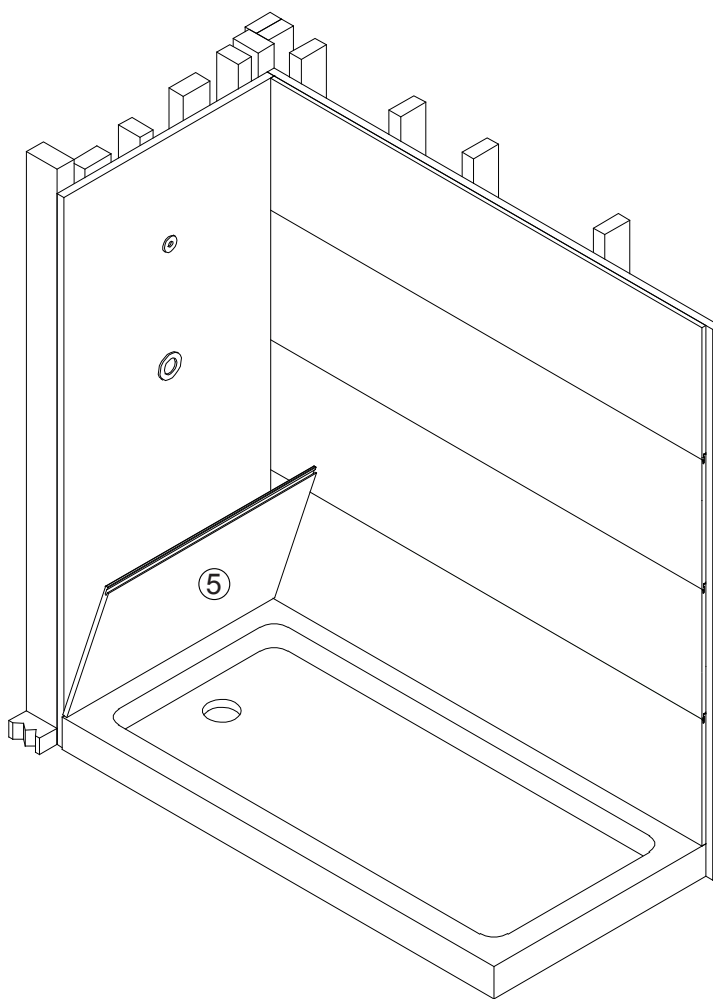


8

INSTALLER UN PANNEAU MURAL LATÉRAL GAUCHE

Remarque importante : Les flèches figurant sur l'étiquette au dos de chaque panneau indiquent le HAUT du panneau.

1. Repérez le panneau étiqueté **(5) Panneau Latéral** et couchez-le sur une surface plane.
2. En fonction de vos prises de mesure à l'étape 1 (Prise de mesures), coupez le panneau aux dimensions appropriées et effectuez toutes les découpes de plomberie requises, conformément aux instructions de l'étape 2 (Découpes).
3. Appliquez le ruban double face et l'adhésif de qualité construction, comme expliqué dans l'étape 3.
4. Décollez l'endos du ruban adhésif double-face du dos du panneau mural aux bords biseautés.
5. Positionnez le panneau à environ 30 degrés, poussez le bord du panneau dans le coin, puis poussez le panneau avec soin vers le mur. Utilisez une cale au besoin.

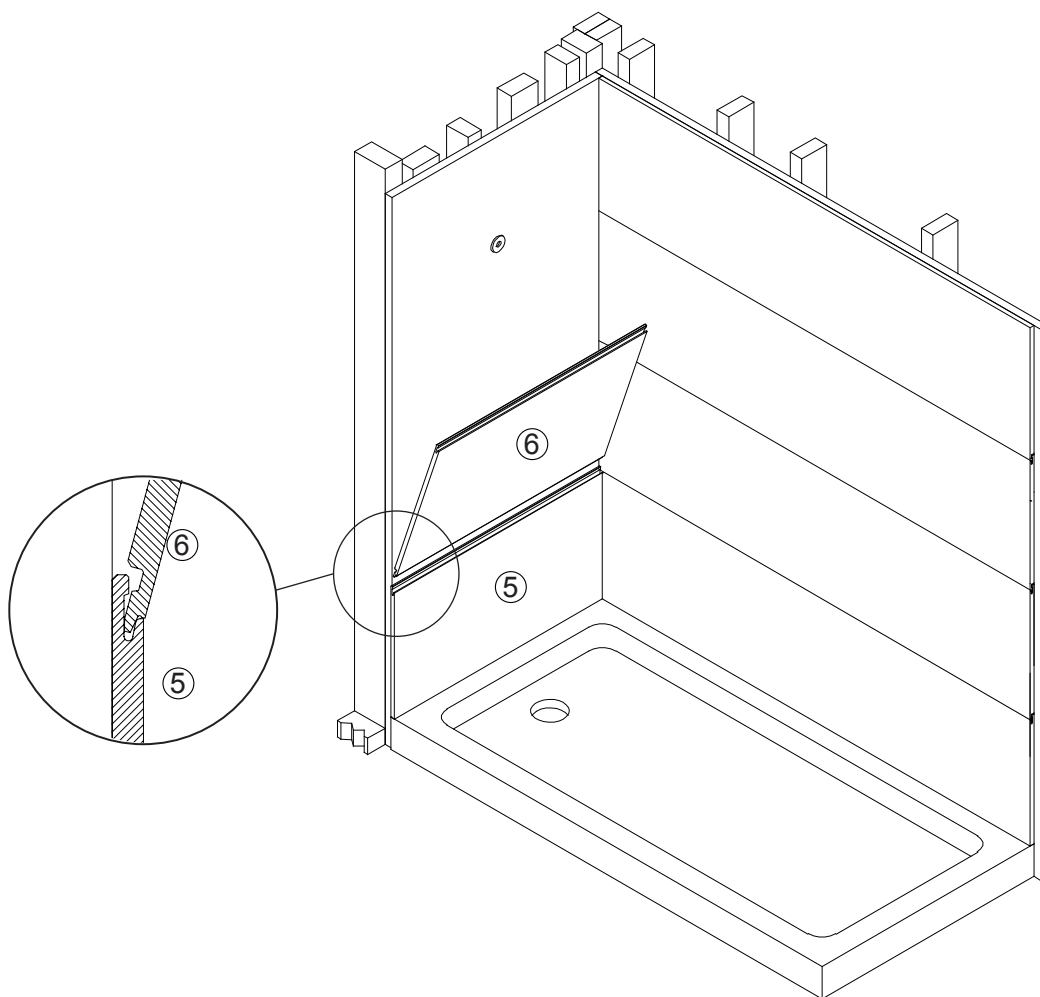


6. Poussez fermement contre le mur en lissant le long de toute la surface pour éliminer les bulles d'air, puis tapotez légèrement le panneau mural avec un maillet en caoutchouc de haut en bas pour vous assurer qu'il est bien serré contre le mur.

9 INSTALLER UN PANNEAU MURAL LATÉRAL GAUCHE

Remarque importante : Les flèches figurant sur l'étiquette au dos de chaque panneau indiquent le HAUT du panneau.

1. Couchez le panneau étiqueté **(6) Panneau Latéral** sur une surface plane.
2. En fonction de vos prises de mesure à l'étape 1 (Prise de mesures), coupez le panneau aux dimensions appropriées et effectuez toutes les découpes de plomberie requises, conformément aux instructions de l'étape 2 (Découpes).
3. Appliquez le ruban double face et l'adhésif de qualité construction, comme expliqué dans l'étape 3.
4. Décollez l'endos du ruban adhésif double-face du dos du panneau mural aux bords biseautés.
5. Positionnez le panneau à environ 30 degrés, poussez le bord du panneau dans le coin, puis poussez le panneau avec soin vers le mur.

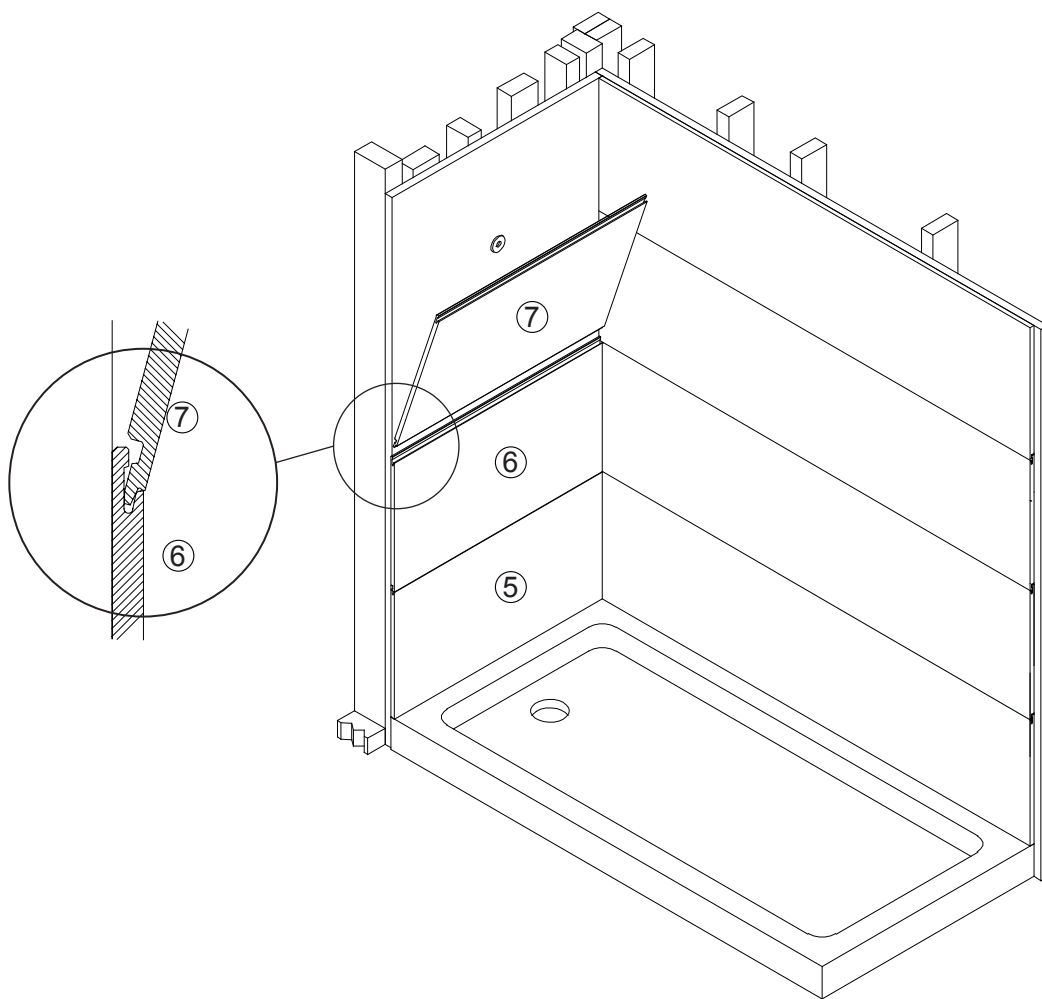


6. Poussez fermement contre le mur en lissant le long de toute la surface pour éliminer les bulles d'air, puis tapotez légèrement le panneau mural avec un maillet en caoutchouc de haut en bas pour vous assurer qu'il est bien serré contre le mur.

10 INSTALLER UN PANNEAU MURAL LATÉRAL GAUCHE

Remarque importante : Les flèches figurant sur l'étiquette au dos de chaque panneau indiquent le HAUT du panneau.

1. Couchez le panneau étiqueté **(7) Panneau Latéral** sur une surface plane.
2. En fonction de vos prises de mesure à l'étape 1 (Prise de mesures), coupez le panneau aux dimensions appropriées et effectuez toutes les découpes de plomberie requises, conformément aux instructions de l'étape 2 (Découpes).
3. Appliquez le ruban double face et l'adhésif de qualité construction, comme expliqué dans l'étape 3.
4. Décollez l'endos du ruban adhésif double-face du dos du panneau mural aux bords biseautés.
5. Positionnez le panneau à environ 30 degrés, poussez le bord du panneau dans le coin, puis poussez le panneau avec soin vers le mur.



6. Poussez fermement contre le mur en lissant le long de toute la surface pour éliminer les bulles d'air, puis tapotez légèrement le panneau mural avec un maillet en caoutchouc de haut en bas pour vous assurer qu'il est bien serré contre le mur.

11 DÉCOUPES

Remarque Importante : Les flèches figurant sur l'étiquette au dos de chaque panneau indiquent le HAUT du panneau. Il faut suivre les instructions de coupe suivantes pour toutes les coupes.

Découpes Pour Éléments De Plomberie :

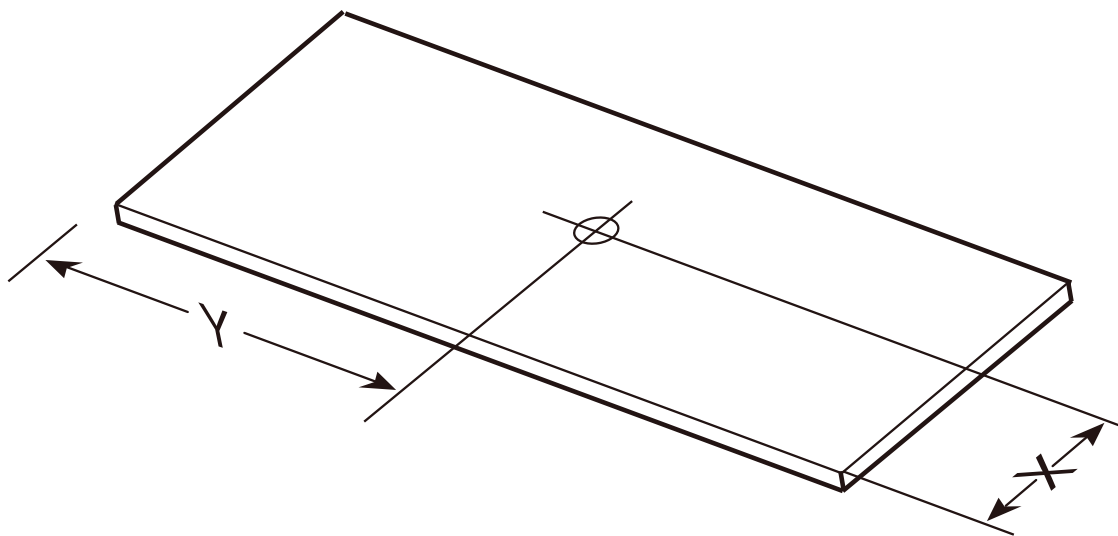
Utilisez une perceuse et la scie-cloche de taille appropriée pour réaliser des découpes pour la pomme de douche, le bec de remplissage, les manettes du robinet et/ou toutes autres découpes nécessaires pour la plomberie déjà présente dans les murs.

Remarque : Pour vous assurer que vos prises de mesure sont correctes, créez un gabarit en carton pour essayer les découpes pour les éléments de plomberie avant de couper les panneaux JETCOAT®.

Important : Le mandrin de perçage peut endommager la surface du panneau mural JETCOAT®. Percez les trous à partir du dos du panneau.

Accessoires Encastrés :

Si vous envisagez d'installer un accessoire encastré, coupez le panneau en conséquence, une fois qu'il est complètement installé et qu'il a eu suffisamment de temps pour coller au mur. N'oubliez pas de tenir compte des montants muraux lorsque vous positionnez l'accessoire.



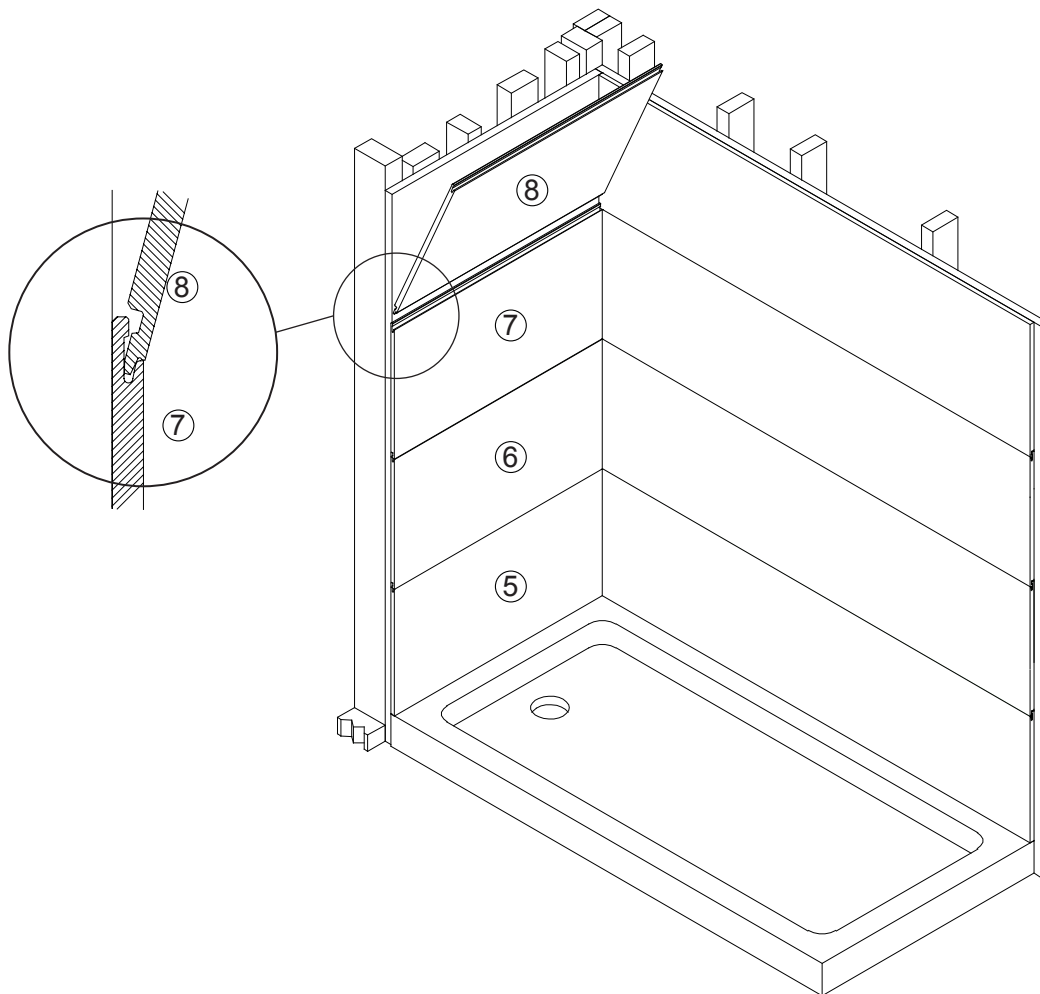
Mesurez les emplacements de découpe pour les éléments de plomberie et marquez-les au dos du/des panneau(x) approprié(s).

12 INSTALLER UN PANNEAU MURAL LATÉRAL GAUCHE

Remarque Importante : Les flèches figurant sur l'étiquette au dos de chaque panneau indiquent le HAUT du panneau.

1. Couchez le panneau étiqueté **(8) Panneau Latéral** sur une surface plane.
2. En fonction de vos prises de mesure à l'étape 1 (Prise de mesures), coupez le panneau aux dimensions appropriées et effectuez toutes les découpes de plomberie requises, conformément aux instructions de l'étape 2 (Découpes).
3. Appliquez le ruban double face et l'adhésif de qualité construction, comme expliqué dans l'étape 3.
4. Décollez l'endos du ruban adhésif double-face du dos du panneau mural aux bords biseautés.
5. Positionnez le panneau à environ 30 degrés, poussez le bord du panneau dans le coin, puis poussez le panneau avec soin vers le mur.

Remarque : Si l'installation n'est pas effectuée avec un panneau d'appoint, passez à l'étape 13.



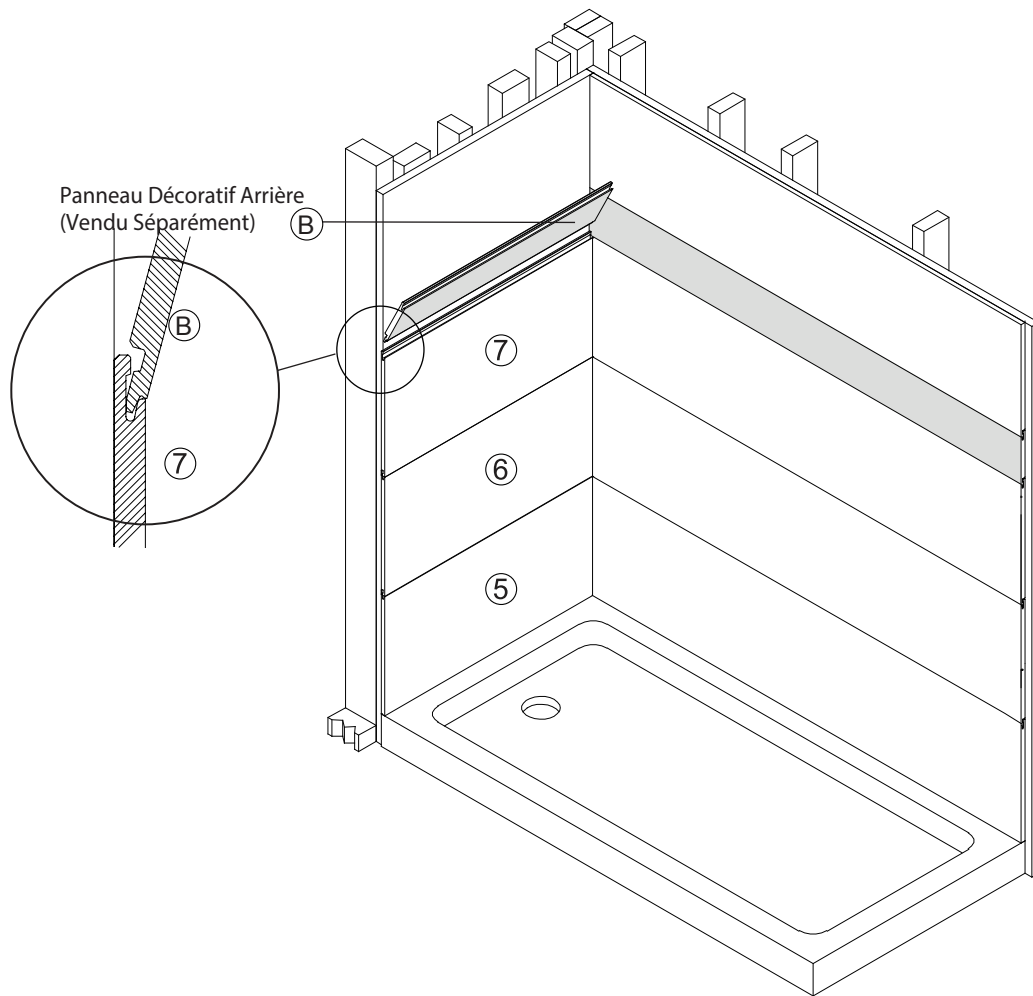
6. Poussez fermement contre le mur en lissant le long de toute la surface pour éliminer les bulles d'air, puis tapotez légèrement le panneau mural avec un maillet en caoutchouc de haut en bas pour vous assurer qu'il est bien serré contre le mur.

12a

INSTALLER UN PANNEAU D'APPOINT LATÉRAL GAUCHE

Remarque Importante : Les flèches figurant sur l'étiquette au dos de chaque panneau indiquent le HAUT du panneau.

1. Couchez le panneau étiqueté **(B) Panneau d'Appoint Latéral** sur une surface plane.
2. En fonction de vos prises de mesure à l'étape 1 (Prise de mesures), coupez le panneau aux dimensions appropriées et effectuez toutes les découpes de plomberie requises, conformément aux instructions de l'étape 2 (Découpes).
3. Appliquez le ruban double face et l'adhésif de qualité construction, comme expliqué dans l'étape 3.
4. Décollez l'endos du ruban double-face du dos du panneau d'appoint latéral.
5. Positionnez le panneau à environ 30 degrés, poussez le bord du panneau dans le coin, puis poussez le panneau avec soin vers le mur.



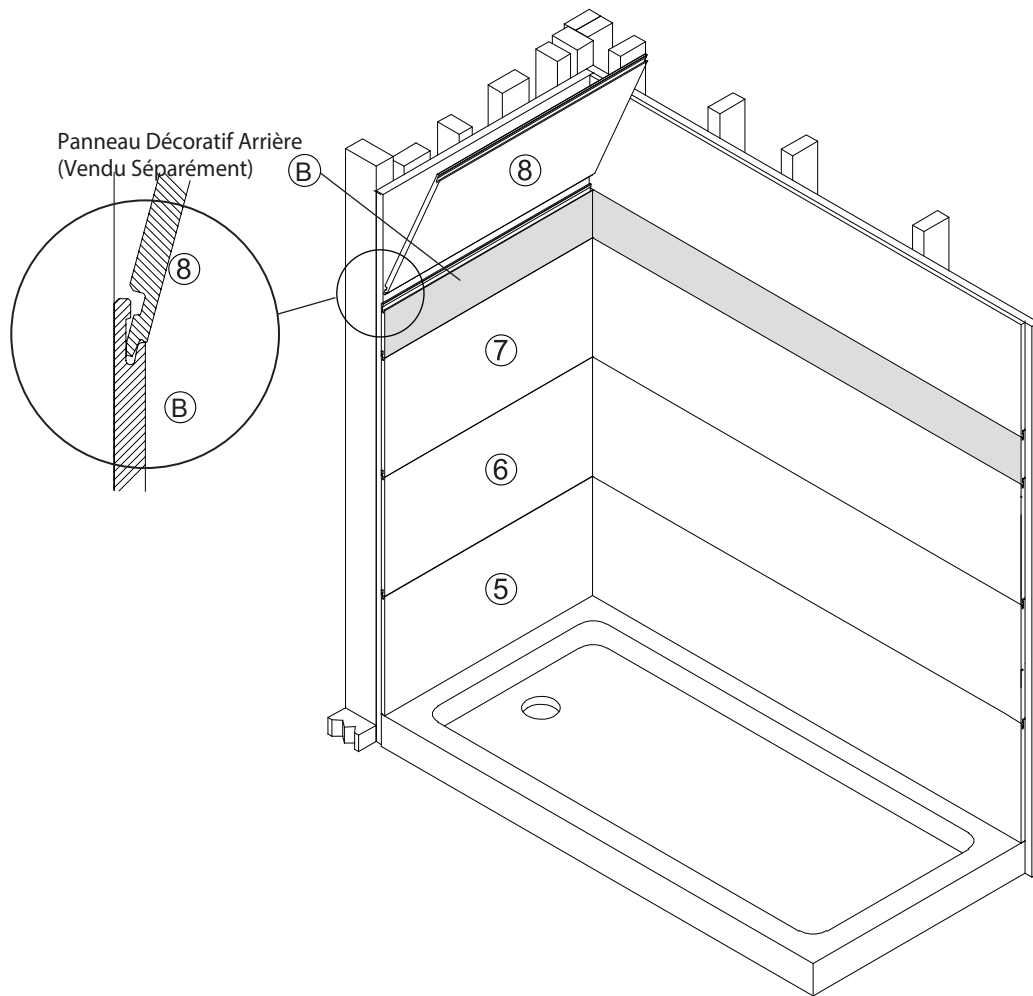
6. Poussez fermement contre le mur en lissant le long de toute la surface pour éliminer les bulles d'air, puis tapotez légèrement le panneau mural avec un maillet en caoutchouc de haut en bas pour vous assurer qu'il est bien serré contre le mur.

12b

INSTALLER UN PANNEAU MURAL LATÉRAL GAUCHE

Remarque Importante : Les flèches figurant sur l'étiquette au dos de chaque panneau indiquent le HAUT du panneau.

1. Couchez le panneau étiqueté **(8) Panneau Latéral** sur une surface plane.
2. En fonction de vos prises de mesure à l'étape 1 (Prise de mesures), coupez le panneau aux dimensions appropriées et effectuez toutes les découpes de plomberie requises, conformément aux instructions de l'étape 2 (Découpes).
3. Appliquez le ruban double face et l'adhésif de qualité construction, comme expliqué dans l'étape 3.
4. Décollez l'endos du ruban adhésif double-face du dos du panneau mural aux bords biseautés.
5. Positionnez le panneau à environ 30 degrés, poussez le bord du panneau dans le coin, puis poussez le panneau avec soin vers le mur.

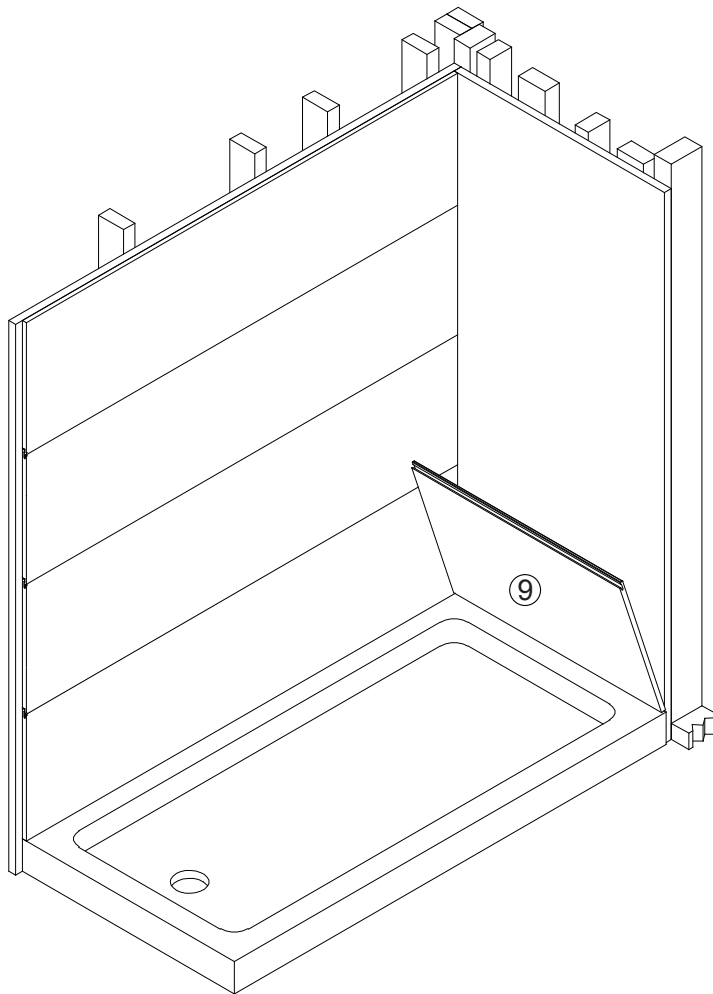


6. Poussez fermement contre le mur en lissant le long de toute la surface pour éliminer les bulles d'air, puis tapotez légèrement le panneau mural avec un maillet en caoutchouc de haut en bas pour vous assurer qu'il est bien serré contre le mur.

13 INSTALLER UN PANNEAU MURAL LATÉRAL DROIT

Remarque Importante : Les flèches figurant sur l'étiquette au dos de chaque panneau indiquent le HAUT du panneau.

1. Repérez le panneau étiqueté **(9) Panneau Latéral** et couchez-le sur une surface plane.
2. En fonction de vos prises de mesure à l'étape 1 (Prise de mesures), coupez le panneau aux dimensions appropriées et effectuez toutes les découpes de plomberie requises, conformément aux instructions de l'étape 2 (Découpes).
3. Appliquez le ruban double face et l'adhésif de qualité construction, comme expliqué dans l'étape 3.
4. Décollez l'endos du ruban adhésif double-face du dos du panneau mural aux bords biseautés.
5. Positionnez le panneau à environ 30 degrés, poussez le bord du panneau dans le coin, puis poussez le panneau avec soin vers le mur. Utilisez une cale au besoin.

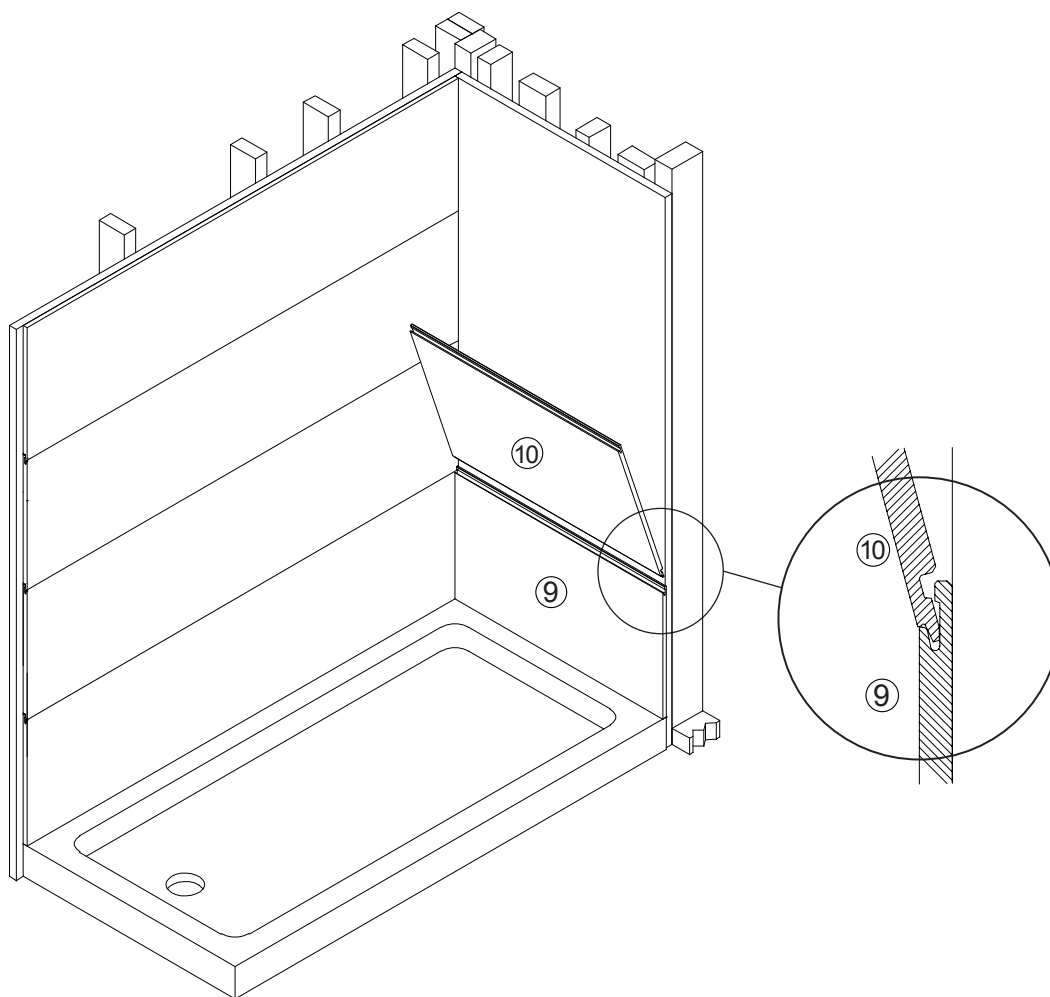


6. Poussez fermement contre le mur en lissant le long de toute la surface pour éliminer les bulles d'air, puis tapotez légèrement le panneau mural avec un maillet en caoutchouc de haut en bas pour vous assurer qu'il est bien serré contre le mur.

14 INSTALLER UN PANNEAU MURAL LATÉRAL DROIT

Remarque Importante : Les flèches figurant sur l'étiquette au dos de chaque panneau indiquent le HAUT du panneau.

1. Repérez le panneau étiqueté **(10) Panneau Latéral** et couchez-le sur une surface plane.
2. En fonction de vos prises de mesure à l'étape 1 (Prise de mesures), coupez le panneau aux dimensions appropriées et effectuez toutes les découpes de plomberie requises, conformément aux instructions de l'étape 2 (Découpes).
3. Appliquez le ruban double face et l'adhésif de qualité construction, comme expliqué dans l'étape 3.
4. Décollez l'endos du ruban adhésif double-face du dos du panneau mural aux bords biseautés.
5. Positionnez le panneau à environ 30 degrés, poussez le bord du panneau dans le coin, puis poussez le panneau avec soin vers le mur. Utilisez une cale au besoin.

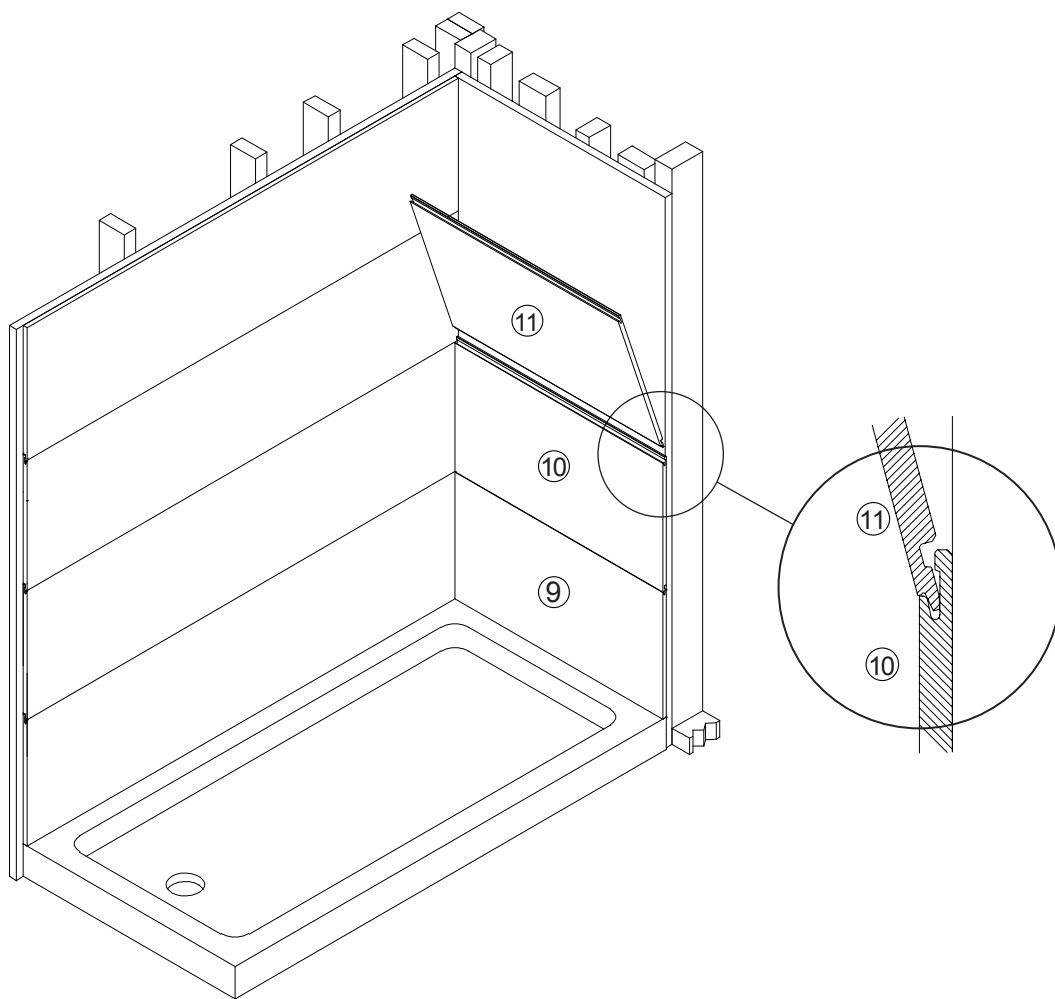


6. Poussez fermement contre le mur en lissant le long de toute la surface pour éliminer les bulles d'air, puis tapotez légèrement le panneau mural avec un maillet en caoutchouc de haut en bas pour vous assurer qu'il est bien serré contre le mur.

15 INSTALLER UN PANNEAU MURAL LATÉRAL DROIT

Remarque Importante : Les flèches figurant sur l'étiquette au dos de chaque panneau indiquent le HAUT du panneau.

1. Repérez le panneau étiqueté **(11) Panneau Latéral** et couchez-le sur une surface plane.
2. En fonction de vos prises de mesure à l'étape 1 (Prise de mesures), coupez le panneau aux dimensions appropriées et effectuez toutes les découpes de plomberie requises, conformément aux instructions de l'étape 2 (Découpes).
3. Appliquez le ruban double face et l'adhésif de qualité construction, comme expliqué dans l'étape 3.
4. Décollez l'endos du ruban adhésif double-face du dos du panneau mural aux bords biseautés.
5. Positionnez le panneau à environ 30 degrés, poussez le bord du panneau dans le coin, puis poussez le panneau avec soin vers le mur. Utilisez une cale au besoin.



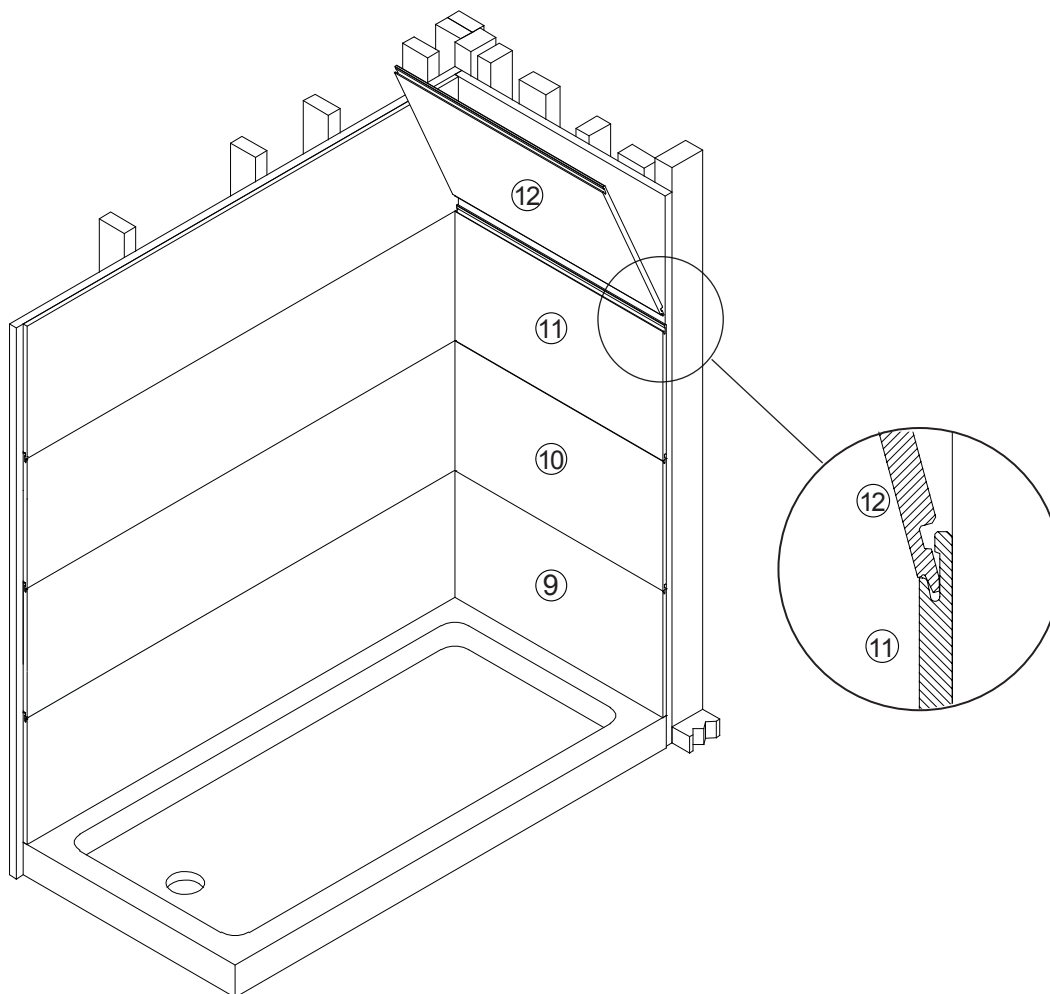
6. Poussez fermement contre le mur en lissant le long de toute la surface pour éliminer les bulles d'air, puis tapotez légèrement le panneau mural avec un maillet en caoutchouc de haut en bas pour vous assurer qu'il est bien serré contre le mur.

16 INSTALLER UN PANNEAU MURAL LATÉRAL DROIT

Remarque Importante : Les flèches figurant sur l'étiquette au dos de chaque panneau indiquent le HAUT du panneau.

1. Couchez le panneau étiqueté **(12) Panneau Latéral** sur une surface plane.
2. En fonction de vos prises de mesure à l'étape 1 (Prise de mesures), coupez le panneau aux dimensions appropriées et effectuez toutes les découpes de plomberie requises, conformément aux instructions de l'étape 2 (Découpes).
3. Appliquez le ruban double face et l'adhésif de qualité construction, comme expliqué dans l'étape 3.
4. Décollez l'endos du ruban adhésif double-face du dos du panneau mural aux bords biseautés.
5. Positionnez le panneau à environ 30 degrés, poussez le bord du panneau dans le coin, puis poussez le panneau avec soin vers le mur. Utilisez une cale au besoin.

Remarque : Si l'installation n'est pas effectuée avec un panneau d'appoint, passez à l'étape 17.

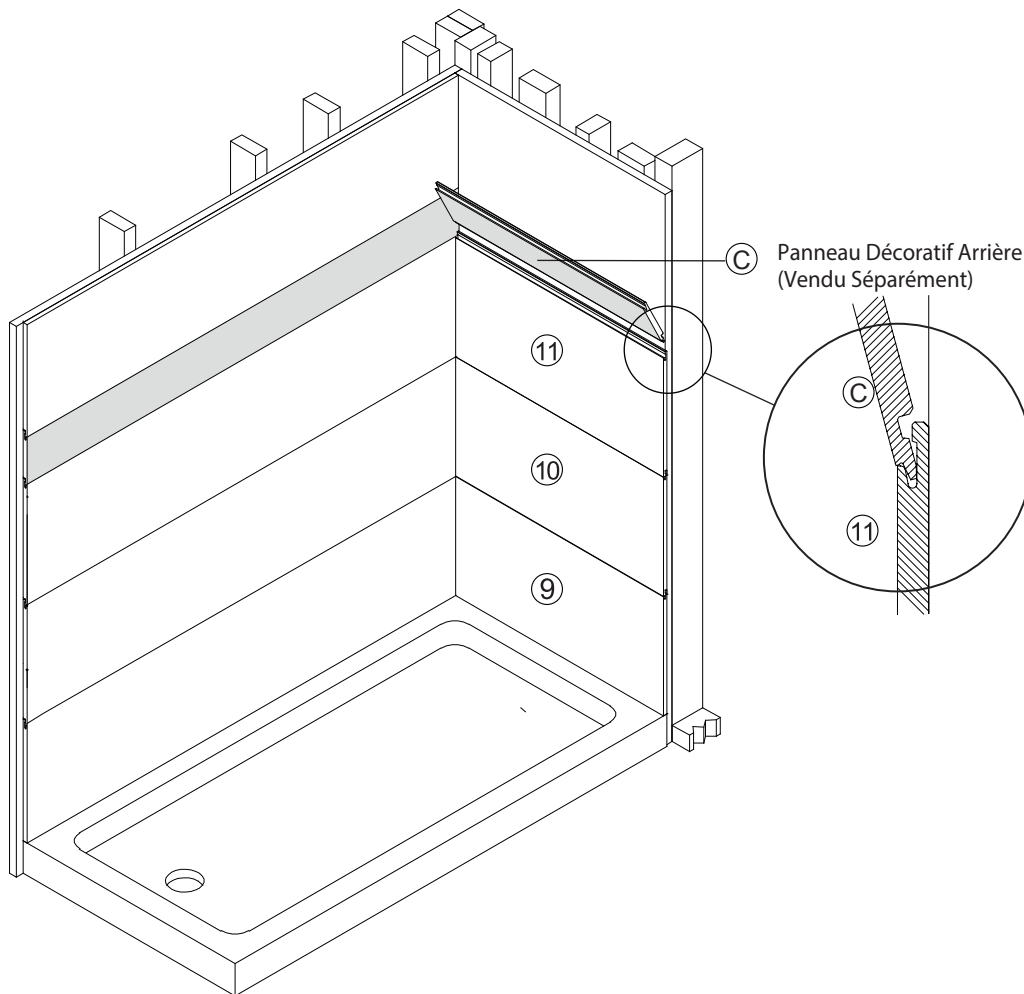


6. Poussez fermement contre le mur en lissant le long de toute la surface pour éliminer les bulles d'air, puis tapotez légèrement le panneau mural avec un maillet en caoutchouc de haut en bas pour vous assurer qu'il est bien serré contre le mur.

16a INSTALLER UN PANNEAU D'APPOINT LATÉRAL DROIT

Remarque Importante : Les flèches figurant sur l'étiquette au dos de chaque panneau indiquent le HAUT du panneau.

1. Couchez le panneau étiqueté **(C) Panneau d'Appoint Latéral** sur une surface plane.
2. En fonction de vos prises de mesure à l'étape 1 (Prise de mesures), coupez le panneau aux dimensions appropriées et effectuez toutes les découpes de plomberie requises, conformément aux instructions de l'étape 2 (Découpes).
3. Appliquez le ruban double face et l'adhésif de qualité construction, comme expliqué dans l'étape 3.
4. Décollez l'endos du ruban double-face du dos du panneau d'appoint latéral.
5. Positionnez le panneau à environ 30 degrés, poussez le bord du panneau dans le coin, puis poussez le panneau avec soin vers le mur. Utilisez une cale au besoin.



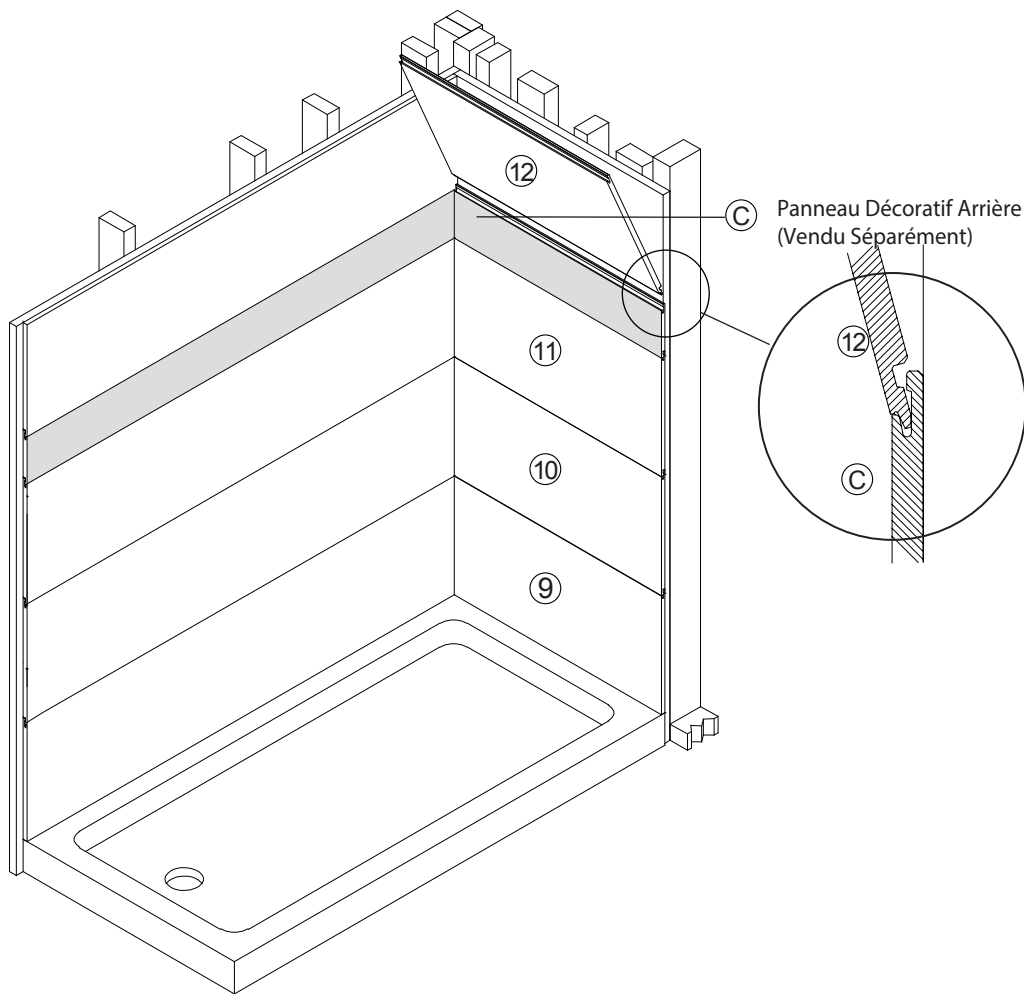
6. Poussez fermement contre le mur en lissant le long de toute la surface pour éliminer les bulles d'air, puis tapotez légèrement le panneau mural avec un maillet en caoutchouc de haut en bas pour vous assurer qu'il est bien serré contre le mur.

16b

INSTALLER LE PANNEAU MURAL LATÉRAL DROIT

Remarque Importante : Les flèches figurant sur l'étiquette au dos de chaque panneau indiquent le HAUT du panneau.

1. Couchez le panneau étiqueté **(12) Panneau Latéral** sur une surface plane.
2. En fonction de vos prises de mesure à l'étape 1 (Prise de mesures), coupez le panneau aux dimensions appropriées et effectuez toutes les coupes de plomberie requises, conformément aux instructions de l'étape 2 (Découpes).
3. Appliquez le ruban double face et l'adhésif de qualité construction, comme expliqué dans l'étape 3.
4. Décollez l'endos du ruban adhésif double-face du dos du panneau mural aux bords biseautés.
5. Positionnez le panneau à environ 30 degrés, poussez le bord du panneau dans le coin, puis poussez le panneau avec soin vers le mur. Utilisez une cale au besoin.



6. Poussez fermement contre le mur en lissant le long de toute la surface pour éliminer les bulles d'air, puis tapotez légèrement le panneau mural avec un maillet en caoutchouc de haut en bas pour vous assurer qu'il est bien serré contre le mur.

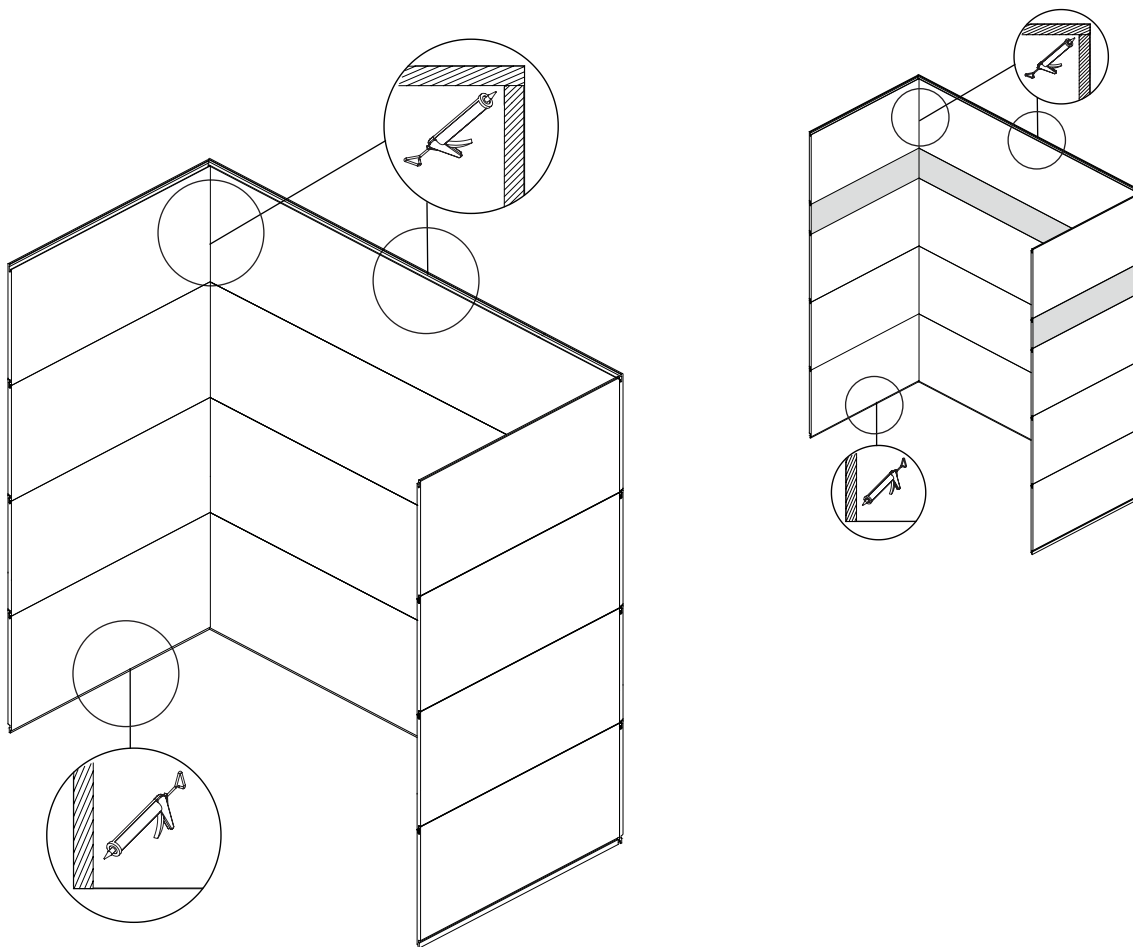
17 CALFEUTRAGE DES COINS ET REBORDS

Appliquez correctement du mastic de calfeutrage autour du système de paroi de douche JETCOAT® pour assurer un ajustement serré et un bon fini. Ceci comprend, sans s'y limiter :

- Les coins intérieurs où les parois de la douche se rencontrent.
- Les coins où les parois touchent le bac.
- Le bord extérieur des panneaux muraux latéraux.
- Le calfeutrage le long du bord supérieur de la totalité du pare-douche n'est pas nécessaire, mais il peut contribuer à l'obtention d'une apparence finie.

Remarque Importante : Veuillez maintenir la surface tout entière sèche pendant au moins 24 heures, pour permettre au mastic de calfeutrage et à l'adhésif de construction de sécher correctement.

INSTALLATION : PANNEAU D'APPOINT FACULTATIF



GARANTIE LIMITÉE

FGI Industries, Ltd., garantissent à l'acheteur initial que cette cabine de douche JETCOAT[®] sera exempte de tout défaut de fabrication qui nuirait à son rendement en tant que qu'unité de bains ou de douche, dans les conditions suivantes et sous réserve des restrictions figurant dans les sections « Recours » et « Exclusions de garantie ».

Veillez vous rendre sur le site suivant pour vous inscrire :

USA: www.craftandmain.com

CANADA: www.craftandmain.ca

La garantie limitée est applicable pendant 10 ans à compter de la date d'achat, si l'unité est utilisée dans un bâtiment résidentiel occupé par le(la) propriétaire et pour un usage non commercial, ou pendant 2 ans à compter de la date d'achat si elle est utilisée dans tout autre bâtiment, y compris un bâtiment loué ou utilisé à des fins commerciales ou professionnelles.

- La présente garantie limitée sera nulle si l'unité n'est pas installée conformément aux instructions d'installation fournies par JETCOAT[®] ou aux codes et règlements de construction locaux, ou si les instructions d'entretien et de nettoyage fournies par JETCOAT[®] ne sont pas respectées.
- La présente garantie limitée sera également nulle si l'unité est déplacée de l'emplacement d'installation original, ou si elle fait l'objet d'un accident, d'un usage abusif ou d'un mauvais usage.
- La garantie limitée exclut une usure normale et ne couvre pas les dommages pouvant être réparés en suivant les instructions d'élimination d'éraflures.
- La présente garantie limitée sera nulle, à moins que tout défaut ou non conformité soit découvert(e) avant l'expiration de telle garantie et soit signalé(e) à FGI Industries, Ltd., par écrit, accompagné(e) de la preuve d'achat originale, dans les 30 jours suivant telle découverte.

RECOURS :

Le recours de l'acheteur original, en vertu de la présente garantie limitée, est limité à la réparation, au remplacement ou au remboursement du prix d'achat de l'unité, à l'option exclusive de FGI Industries, Ltd., de toute pièce de l'unité faisant l'objet de la défaillance ou non conforme aux spécifications du fabricant.

En aucun cas FGI Industries, Ltd. ne sera tenue responsable de la perte de profits, de la perte d'usage, des dommages indirects, spéciaux ou accessoires y compris, mais non limités aux, dommages à l'usage ou perte d'usage du bâtiment ou de son contenu, résultant de tout défaut de l'unité et FGI Industries, Ltd. ne sera également pas tenue responsable de tout montant surpassant le prix d'achat original de l'unité.

FGI Industries, Ltd. se réserve le droit d'exiger le retour, aux frais de l'acheteur, de l'unité endommagée devant être réparée ou échangée, avant de fournir des services en vertu de la présente garantie limitée. Si FGI Industries, Ltd. décide de remplacer l'unité, son obligation est limitée à la fourniture d'une unité ou d'une pièce de taille et style comparables et ne comprend pas les frais de retrait, d'installation ou de transport, qui incombent à l'acheteur.

Les pièces de rechange fournies dans le cadre de la présente garantie limitée, sont couvertes pour la période restante de la garantie originale applicable à l'unité, comme si telles pièces faisaient partie des composants d'origine de cette unité.

EXCLUSIONS DE LA GARANTIE :

IL N'EXISTE AUCUNE AUTRE GARANTIE DONT LA PORTÉE DÉPASSE LES LIMITES DE CE QUI EST DÉCRIT AUX PRÉSENTES. LES GARANTIES IMPLICITES, Y COMPRIS LA GARANTIE DE QUALITÉ MARCHANDE OU D'ADAPTATION À UN USAGE PARTICULIER, SONT EXPRESSÉMENT EXCLUES. FGI INDUSTRIES, LTD. DÉCLINE TOUTE RESPONSABILITÉ QUANT AUX DOMMAGES SPÉCIAUX, INDIRECTS OU ACCESSOIRES. Certains États ou provinces ne permettent pas l'exclusion ou la restriction des dommages indirects ou accessoires, et les restrictions et exclusions citées ci-dessus peuvent donc ne pas s'appliquer à votre cas. Dans de tels États ou provinces, la responsabilité de FGI Industries, Ltd. fera l'objet des limites prévues par la loi provinciale ou de l'état. L'ÉTENDUE ET LA DURÉE DE TOUTES LES GARANTIES IMPLICITES ISSUES D'UNE LÉGISLATION PROVINCIALE OU DE L'ÉTAT, Y COMPRIS TOUTE GARANTIE IMPLICITE DE QUALITÉ MARCHANDE OU D'ADAPTATION À UN USAGE PARTICULIER, SONT LIMITÉES AUX MODALITÉS DE LA PRÉSENTE GARANTIE LIMITÉE, À MOINS QU'UNE PÉRIODE PLUS COURTE SOIT PERMISE PAR LA LOI.

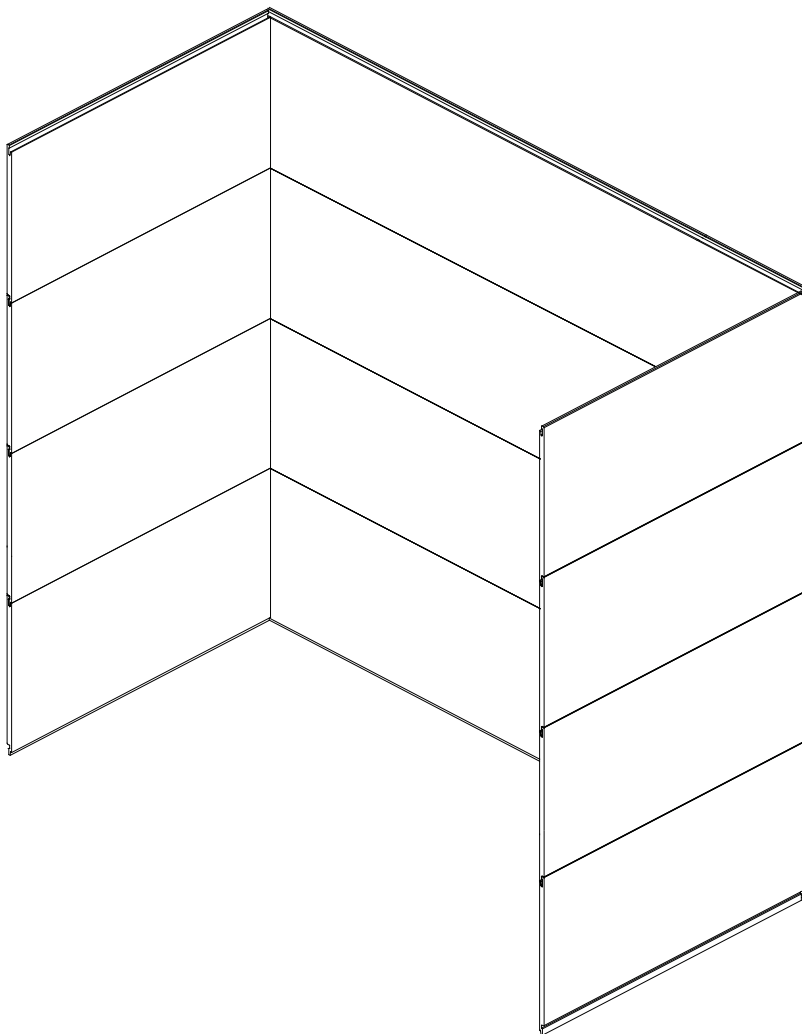
CRAFT + MAIN®
JETCOAT®
SHOWER WALL SYSTEM

FLEX™
MODELO#:
FLX603280

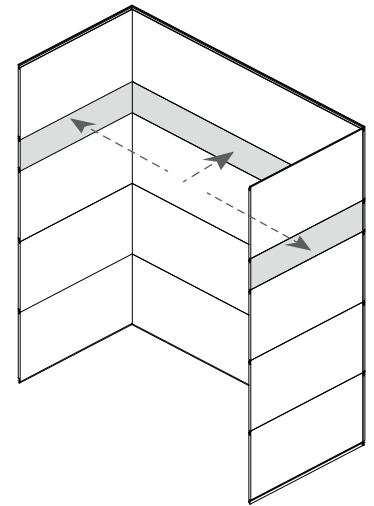
LEE DETENIDAMENTE LAS INSTRUCCIONES

Familiarízate con todas las piezas tal como se muestran en la vista ampliada. La vista ampliada sirve también como útil referencia para conocer la ubicación de varias piezas y cómo se instalan.

COPIA EL NÚMERO DE MODELO PARA TUS REGISTROS AQUÍ #



**Panel Decorativo Opcional
(Se Vende Por Separado)**



Asistencia Gratuita Al Cliente

De Lunes a Viernes de 7:30 a.m. a 5:00 p.m. CST

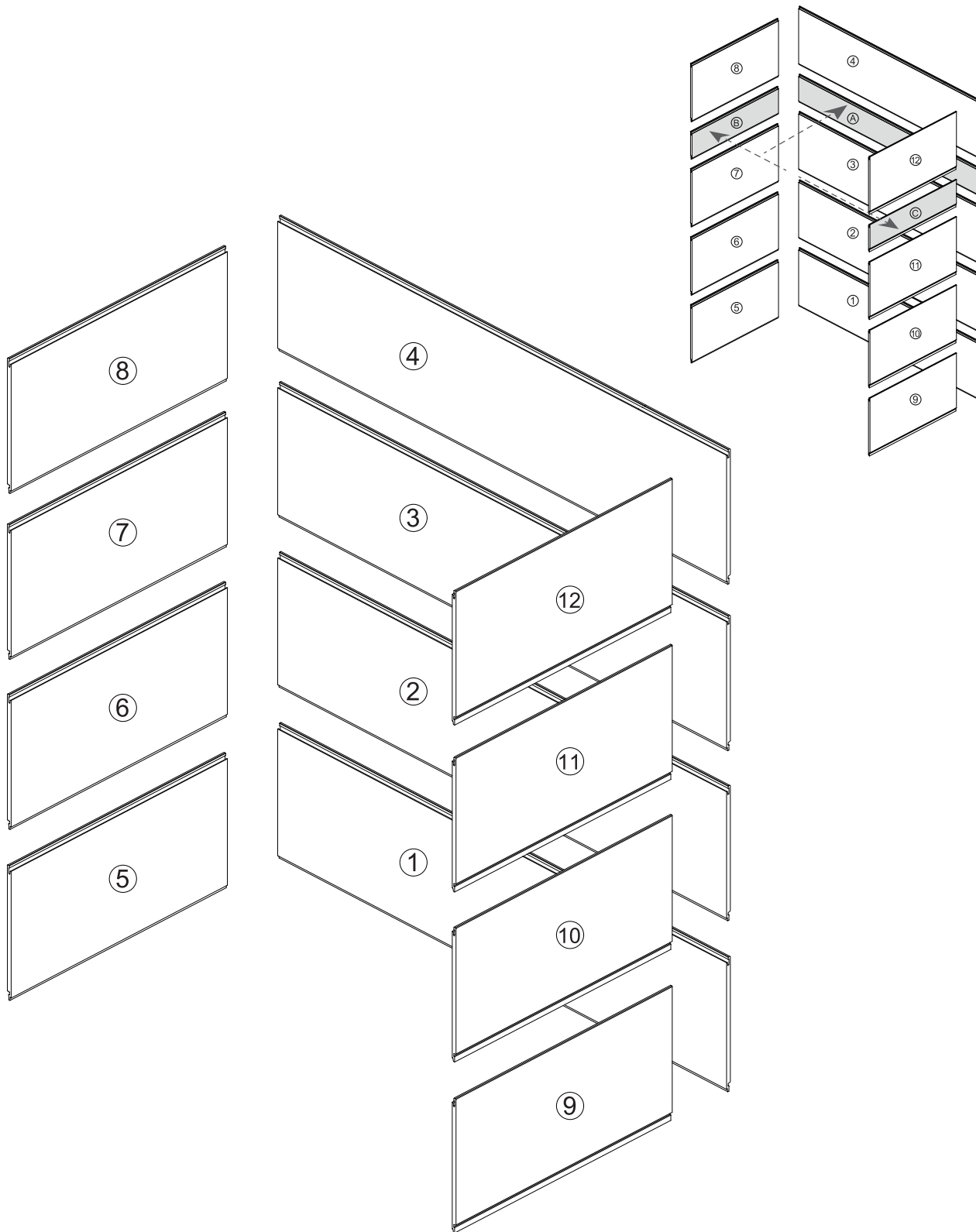
1-888-620-3667 Clientes de EE. UU.

1-888-256-7551 Clientes de Canadá

906 Murray Rd., East Hanover, NJ 07936
USA: www.craftandmain.com

5970 Chedworth Way, Unit B, Mississauga, Ontario, Canada L5R 4G5
CANADA: www.craftandmain.ca

Panel Decorativo Opcional
(Se Vende Por Separado)



CUIDADO: No lo coloque en las esquinas durante su manipulación.

LISTA DE PIEZAS

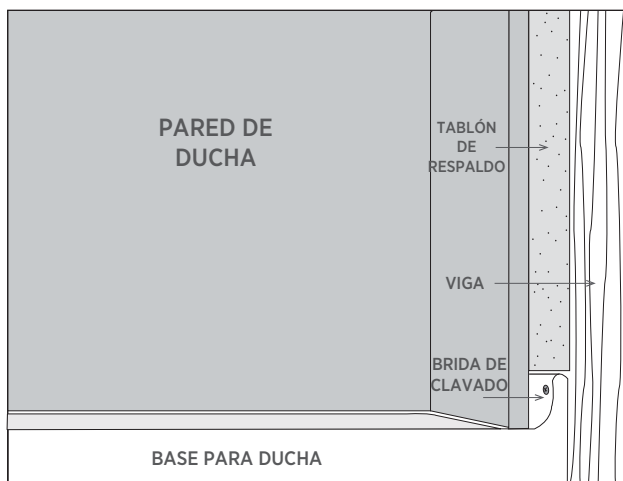
① ② ③ ④		⑤ ⑥ ⑦ ⑧		⑨ ⑩ ⑪ ⑫		⑬	
Panel Posterior Machiembredado		Panel Lateral Machiembredado		Panel Lateral Machiembredado		Cinta De Doble Cara Para Construcción	

LISTA DE PIEZAS DE PANEL DECORATIVO - SE VENDEN POR SEPARADO

A		B		C	
Panel Decorativo Trasero Opcional Machiembredado		Panel Decorativo Posterior Opcional Machiembredado		Panel Decorativo Lateral Opcional Machiembredado	

HERRAMIENTAS RECOMENDADAS

①		②		③		④	
Cuchillo Multiuso		Tenazas De Bloqueo		Adhesivo Para Construcción		Silicona	
⑤		⑥		⑦		⑧	
Martillo De Goma		Destornillador		Sierra Circular		Sierra Cilíndrica	
						⑨	
						Cinta De Medir	



NOTA: INSTALACIÓN DE LA BASE DE LA DUCHA

Quando se usa junto con una base de ducha que tiene una brida de clavado, el sistema de pared de ducha Jetcoat® está diseñado para instalarse como se muestra en el dibujo. La brida de clavado de la base debe fijarse directamente a los montantes desnudos con un tablero de respaldo unido a los montantes sobre la brida de clavado. Las paredes Jetcoat® se instalan sobre el tablero de respaldo extendiéndose hacia abajo de frente a la brida de clavado y descansando sobre la base. No instalar la base en esta configuración puede causar problemas al instalar las paredes JETCOAT®.

CONSEJOS DE PREPARACIÓN

Antes de instalar el producto, asegúrate de tener todas las piezas. Compara las piezas con la lista de contenido del paquete. Si alguna pieza falta o está dañada, no intentes ensamblar o instalar el producto.

- Comienza midiendo el ancho total de la pared trasera después de haberla limpiado y preparado para la instalación.
- Si la altura total de las paredes traseras y/o laterales sobre la bañera o la base de la ducha es menor que la altura de los paneles, se pueden cortar fácilmente para que quepan.
- Cierra el suministro de agua.
- Retira todos los herrajes y decoraciones de la ducha, incluyendo, aunque sin limitarse a: Llaves de grifos, escudetes, caños de llenado, toalleros y jaboneras.
- Todo el trabajo eléctrico y de plomería dentro de las paredes tiene que terminarse antes de comenzar la instalación de los paneles de pared.
- Las paredes deben ser sólidas y rectas a plomada, en ángulo recto con desviación máxima de 1/8 plg (3 mm). El Sistema de Pared para Ducha ha sido diseñado para permitir el uso de molduras que corrijan pequeños problemas de alineación.
- La superficie de montaje debe estar limpia y preparada, de acuerdo con el procedimiento de instalación.
- Si piensas instalar un accesorio empotrado, recorta el panel como corresponda después de instalado por completo y de pasado el tiempo adecuado para adherirse a la pared. Recuerda tener en cuenta las vigas de pared al colocar el accesorio.

CONSEJOS PARA EL USO DE PASTA SELLADORA:

- Sigue las instrucciones que aparecen en el tubo de la pasta selladora seleccionada.
- Una vez terminado el proyecto, revisa todas las áreas donde se ha aplicado pasta selladora para ver si hay grietas o huecos que necesiten rellenarse.
- Retira el exceso de pasta selladora usando un paño limpio y alcohol desnaturalizado. Ten cuidado de no dañar las uniones de pasta selladora.

PROCEDIMIENTO DE INSTALACIÓN:

El Sistema de Pared para Ducha puede instalarse sobre una variedad de productos. Consulta a un contratista profesional si piensas colocar los paneles sobre una superficie diferente a las descritas aquí.

CEMENTO/CONCRETO:

- Dependiendo de la condición (planicie) de la pared existente, es posible que se requiera silicona adicional para asegurar adecuadamente los paneles de la pared al sustrato.
- La superficie tiene que estar completamente limpia. Esto incluye, aunque no se limita a: Sedimentos de jabón, polvo y otros contaminantes que pueden afectar la adherencia. No hace falta quitar las losas de cerámica si están bien adheridas.
- Se recomienda: Toda el área tiene que sellarse con dos capas de sellador a base de agua o aceite para garantizar la adhesión adecuada del Sistema de Pared para Ducha.
- Después de que el sellador se haya secado completamente, termina la instalación de los paneles de pared siguiendo el manual de instrucciones.

MASONITA:

- La superficie tiene que estar completamente limpia. Esto incluye, aunque no se limita a: Sedimentos de jabón, polvo y otros contaminantes que pueden afectar la adherencia.
- Opcional: Toda el área tiene que sellarse con dos capas de sellador a base de agua o aceite para garantizar la adhesión adecuada del Sistema de Pared para Ducha.
- Después de que el sellador se haya secado completamente, termina la instalación de los paneles de pared siguiendo el manual de instrucciones.

LOSA VIEJA:

IMPORTANTE: Todas las losas plásticas tienen que retirarse. No hace falta quitar las losas de cerámica viejas si están bien adheridas.

- Dependiendo de la condición (planicie) de la pared existente, es posible que se requiera silicona adicional para asegurar adecuadamente los paneles de la pared al sustrato.
 - Retira y/o fija adecuadamente cualquier losa de cerámica suelta.
 - Retira todos los accesorios de losa que estén sujetos a la pared. La superficie tiene que estar completamente limpia. Esto incluye, aunque no se limita a: sedimentos de jabón, polvo y otros contaminantes que pueden afectar la adherencia.
 - Completa la instalación de la pared de ducha siguiendo el manual de instrucciones.
- ### YESO:
- Puede que se requiera silicona adicional para asegurar bien el sustrato y el panel de pared, en función de la condición misma de la pared existente.
 - Alisa los acabados texturizados y/o ondulados con una lija.

• La superficie tiene que estar completamente limpia. Esto incluye, aunque no se limita a: sedimentos de jabón, polvo y otros contaminantes que pueden afectar la adherencia.

• Se recomienda: Toda el área tiene que sellarse con dos capas de sellador a base de agua o aceite para garantizar la adhesión adecuada del Sistema de Pared para Ducha.

• Después de que el sellador se haya secado completamente, termina la instalación de los paneles de pared siguiendo el manual de instrucciones.

SHEETROCK/YESO IMPERMEABLE/ PLACA DE CEMENTO/MADERA:

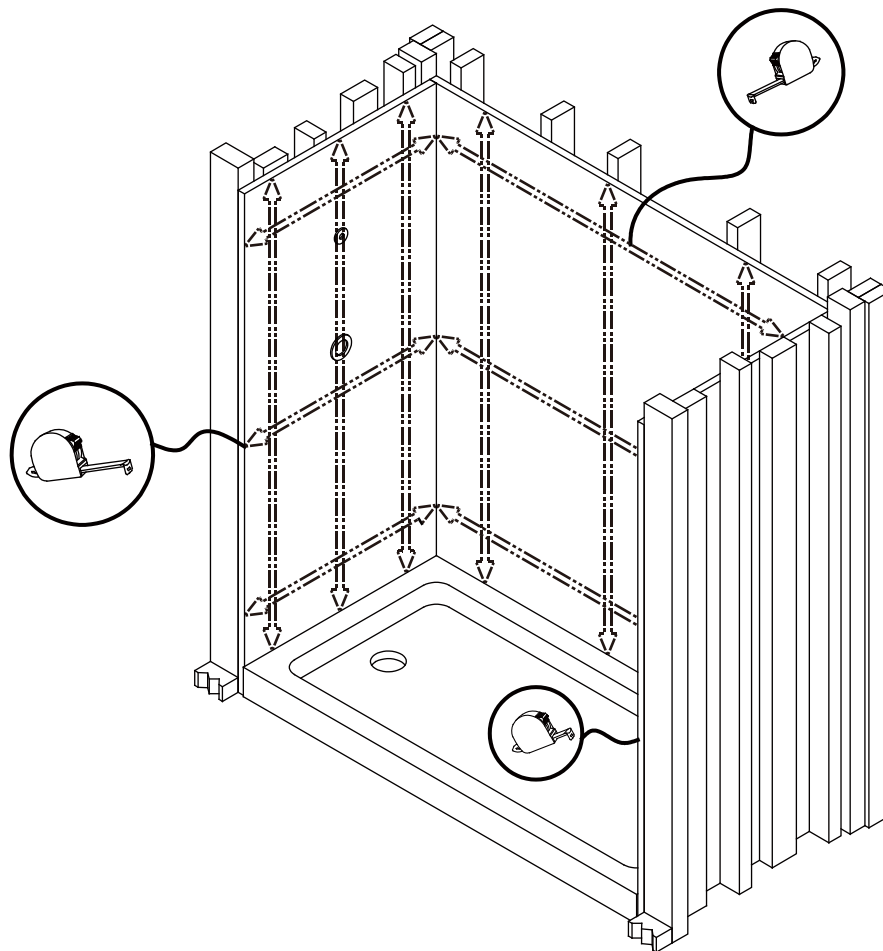
- La superficie debe estar completamente limpia y libre de residuos de jabón, polvo y cualquier otro contaminante que pueda afectar la adherencia.
- Opcional: Toda el área tiene que sellarse con dos capas de sellador a base de agua o aceite para garantizar la adhesión adecuada del Sistema de Pared para Ducha.
- Después de que el sellador se haya secado completamente, termina la instalación de los paneles de pared siguiendo el manual de instrucciones.

1 CÓMO MEDIR

1. Mide la altura del área de instalación en ambos extremos de cada pared. Desde la parte superior de la bañera o plato de la ducha hasta el techo. Si la altura del techo es menor que la altura de los paneles incluidos en el kit, los paneles se pueden cortar usando el mismo procedimiento de corte descrito en el Paso 2.
2. Mide el ancho de cada pared en la parte superior e inferior del área de instalación.

Nota Importante:

- Hay un total de 12 paneles para pared en un producto estándar.
- Si añades paneles decorativos opcionales, el número total de paneles para pared aumenta a 15, lo que supone un incremento de la altura total de 30 cm. Ten cuidado durante el proceso de medición y corte.
- **Los pasos 2 y 3 se repetirán al instalar el kit estándar de 12 paneles / kit opcional decorativo de 15 paneles.**

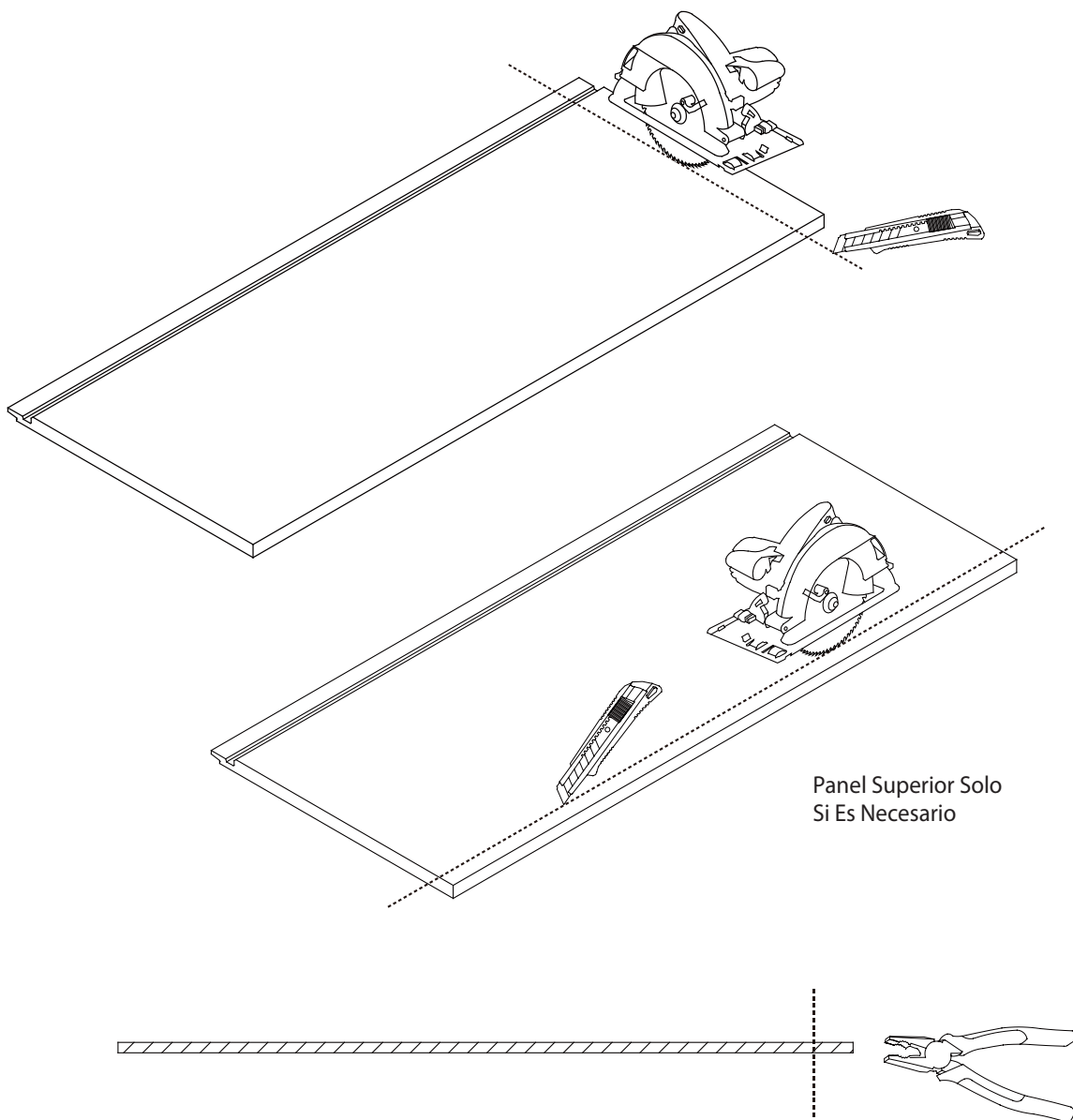


2 CÓMO CORTAR

Nota importante: Las flechas en la etiqueta en la parte posterior de cada panel indican la PARTE SUPERIOR del panel. Las siguientes instrucciones de cómo cortar deben usarse al hacer todos los cortes.

Cortar Los Paneles A La Medida:

1. Traza con cuidado una línea en la parte posterior de cada panel donde se realizará el corte. Se debe considerar cualquier ajuste por falta de escuadra o plomada al trazar esta línea.
Nota: Se recomienda enfáticamente utilizar una regla cuando sea posible.
2. Se recomienda la sierra circular para realizar los cortes necesarios. Si usas un cuchillo, marca la línea varias veces y luego usa alicates de bloqueo para romper el excedente de la pieza como se muestra.

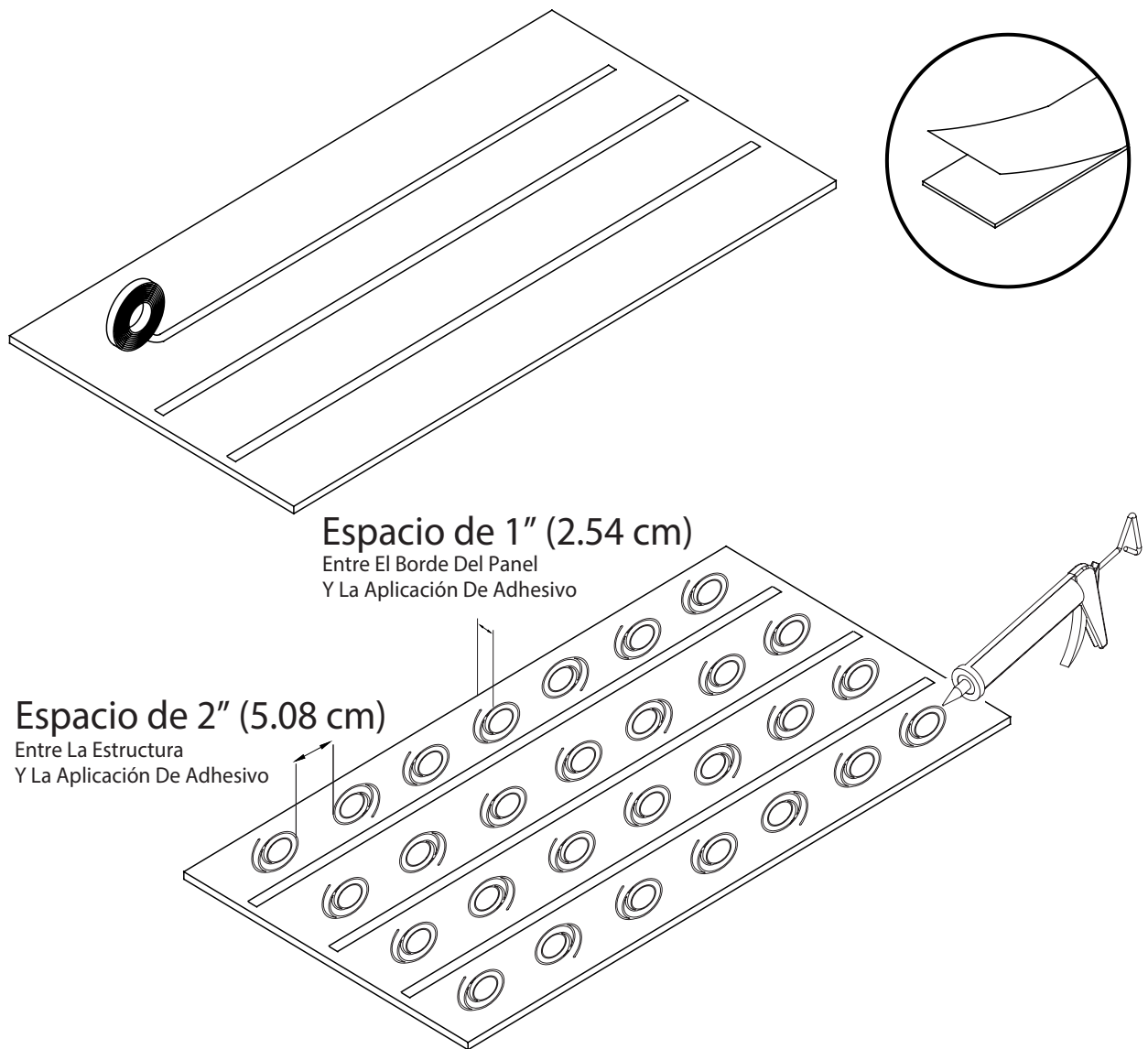


3 CÓMO APLICAR ADHESIVO Y CINTA ADHESIVA A LA PARTE POSTERIOR DE LOS PANELES DE PARED

Se deben usar las siguientes instrucciones al aplicar cinta y adhesivo a cada panel de pared.

1. Aplica cinta adhesiva de construcción de doble cara en la parte posterior del panel de pared como se muestra.
2. Aplica adhesivo para construcción en los espacios entre la cinta tal como se muestra en un patrón circular. Las líneas de adhesivo deben estar a 2" (5.08 cm) de distancia y hasta, pero no más cerca de 1" (2.54 cm) del borde del panel.

Importante: El patrón circular es fundamental para una adherencia adecuada.



4

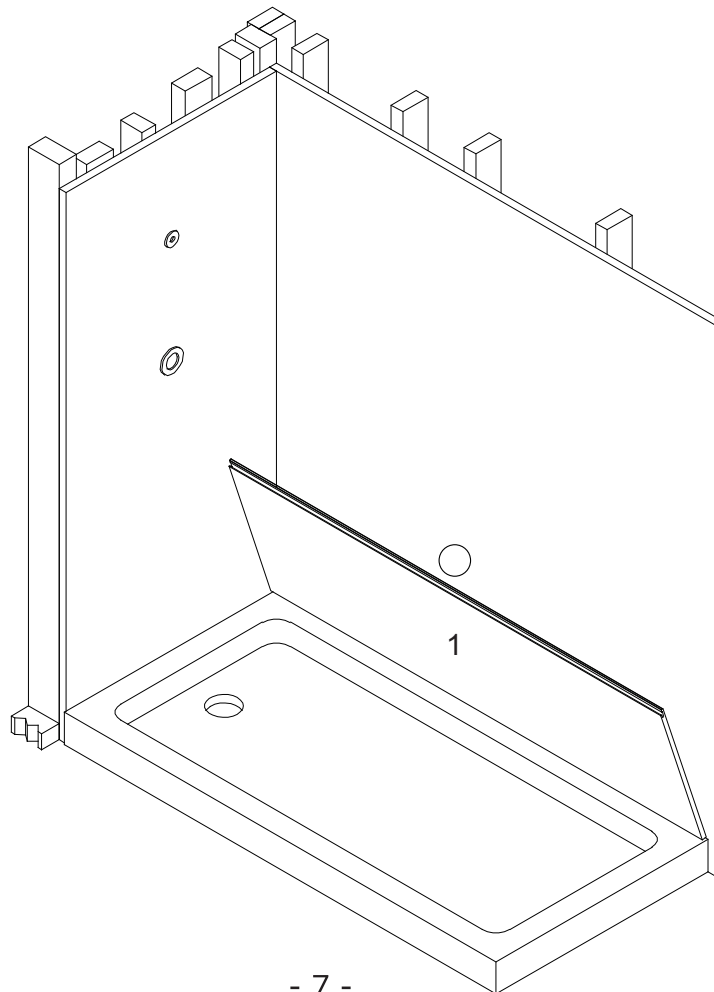
INSTALE EL PANEL PARA PARED POSTERIOR

Nota Importante: No instalar los paneles de la pared trasera en el orden correcto puede hacer que el patrón a lo largo de la pared trasera no parezca continuo.

Nota importante: Las flechas en la etiqueta en la parte posterior de cada panel indican la PARTE SUPERIOR del panel.

Nota: Tu kit contiene 4 paneles para pared posteriores (etiquetados en la parte posterior como **(1) Primer Panel Posterior**, **(2) Segundo Panel Posterior**, **(3) Tercer Panel Posterior**, **(4) Cuarto Panel Posterior**) y 8 paneles para pared finales (etiquetados en la parte posterior como panel lateral **(5) (6) (7) (8) (9) (10) (11) (12) Panel Lateral**). **Panel Decorativo Opcional** (etiquetado en la parte posterior como panel decorativo **(A) (B) (C) Panel Decorativo**).

1. Localiza el panel etiquetado como **(1) Primer Panel Posterior** y colócalo sobre una superficie plana.
2. Según las medidas del Paso 1 (Medición), corta el panel al tamaño apropiado y haz los cortes de plomería necesarios de acuerdo con las instrucciones del Paso 2 (Corte)
3. Aplica la cinta de doble cara y el adhesivo de construcción como se explica en el Paso 3.
4. Despega la cinta de doble cara de la parte posterior del panel. Coloca el panel aproximadamente a 30 grados, presiona el borde cortado hacia la esquina y luego empuja con cuidado el panel hacia la pared posterior. Usa cuñas si es necesario.
5. Empuja firmemente el panel contra la pared alisando las burbujas de aire que pueda haber en toda la zona y luego golpea ligeramente el panel para pared con un mazo de hule de arriba abajo para asegurar que quede bien sujeto a la pared.



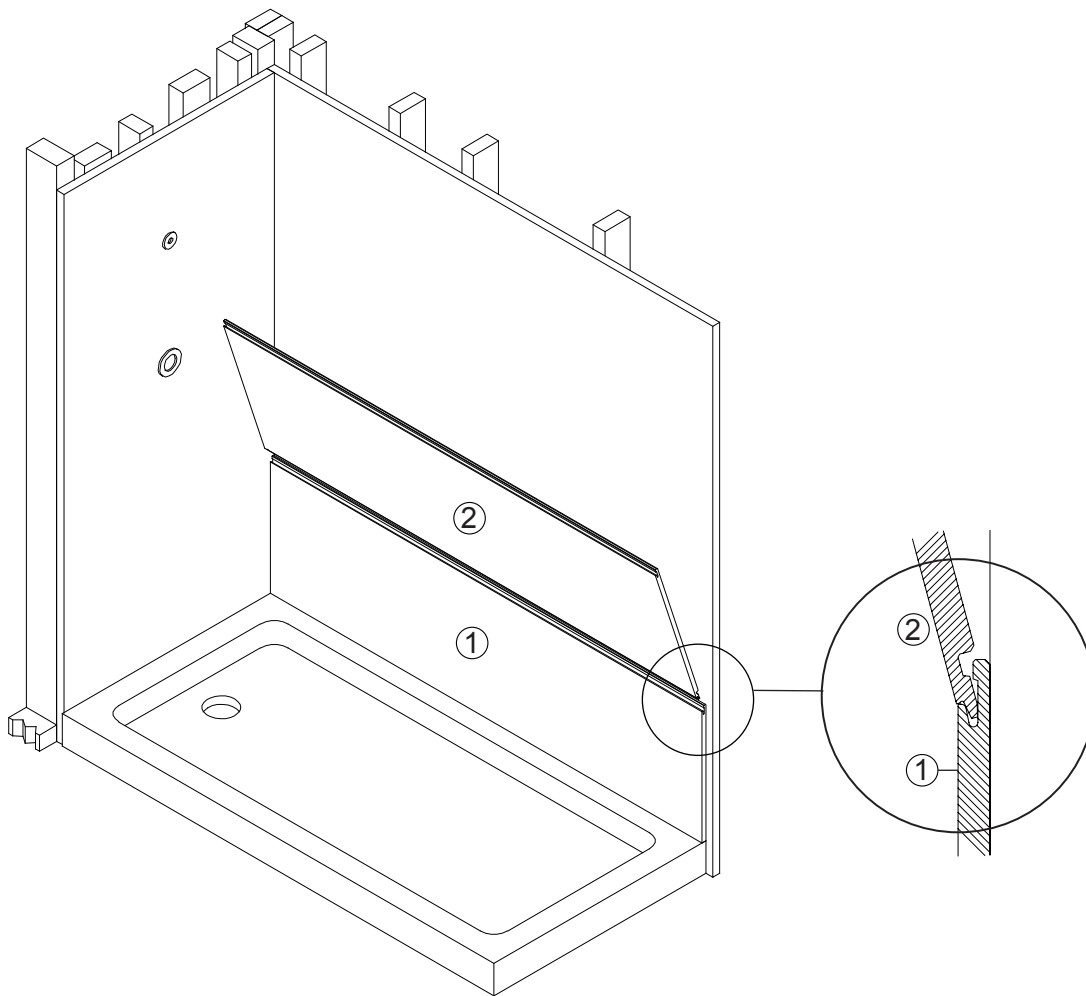
5 INSTALE EL PANEL PARA PARED POSTERIOR

Nota importante: Las flechas en la etiqueta en la parte posterior de cada panel indican la PARTE SUPERIOR del panel.

1. Localiza el panel etiquetado como **(2) Segundo Panel Posterior** y colócalo sobre una superficie plana.
2. Basándote en las medidas del Paso 1 (Medición), recorta el ancho (no cortes el dispositivo de bloqueo, ajusta sólo el ancho), si es necesario, y haz los cortes de plomería necesarios siguiendo las instrucciones del Paso 2 (Corte).
3. Aplica la cinta de doble cara y el adhesivo de construcción como se explica en el Paso 3.
4. Despega la cinta de doble cara de la parte posterior del panel. Coloca el panel en un ángulo aproximadamente a 45 grados, y empuja con cuidado el borde de la lengüeta en la ranura de borde de salida del **(1) Primer Panel Posterior**. Mueve el panel suavemente mientras ejerces presión hacia adelante y empuja con cuidado hacia la pared posterior.

Nota Importante: Se debe tener mucho cuidado al instalar este panel. El sello hermético depende de que la lengüeta se inserte firmemente dentro de la ranura antes de que el panel se vuelva a colocar en su posición y la alineación de la altura no se puede ajustar una vez que el panel hace clic en su sitio.

5. Presiona contra la pared suavizando cualquier burbuja de aire a lo largo de toda la zona y luego golpea ligeramente sobre el panel para pared con un mazo de hule de arriba abajo para asegurar que quede bien sujeto a la pared.



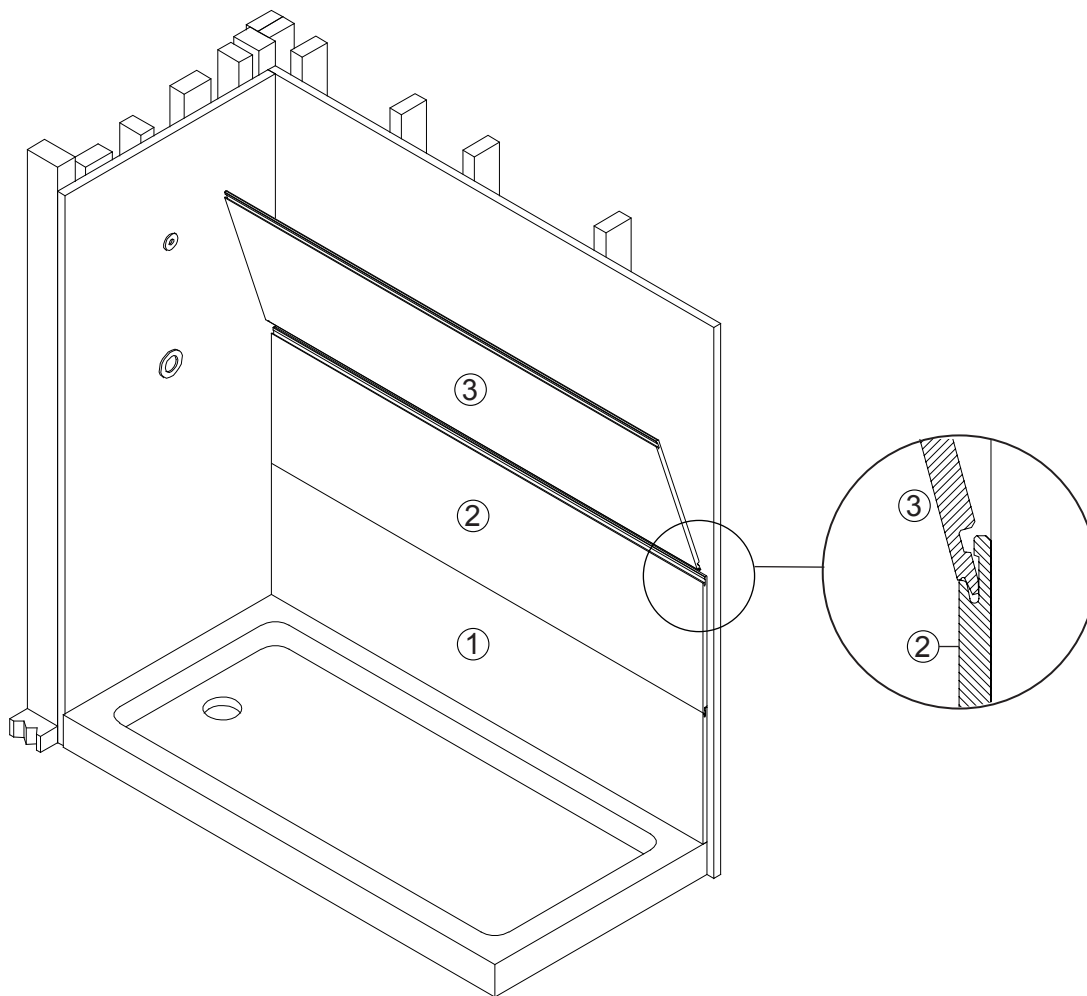
6 INSTALE EL PANEL PARA PARED POSTERIOR

Nota importante: Las flechas en la etiqueta en la parte posterior de cada panel indican la PARTE SUPERIOR del panel.

1. Localiza el panel etiquetado como **(3) Tercer Panel Posterior** y colócalo sobre una superficie plana.
2. Basándote en las medidas del Paso 1 (Medición), recorta el ancho (no cortes el dispositivo de bloqueo, ajusta sólo el ancho), si es necesario, y haz los cortes de plomería necesarios siguiendo las instrucciones del Paso 2 (Corte).
3. Aplica la cinta de doble cara y el adhesivo de construcción como se explica en el Paso 3.
4. Despega la parte posterior de la cinta de doble cara de la parte posterior del panel. Coloca el panel en un ángulo aproximadamente a 45 grados, y empuja con cuidado el borde de la lengüeta en la ranura del borde de salida del **(2) Segundo Panel Posterior**. Mueve el panel suavemente mientras ejerces presión hacia adelante y empuja con cuidado hacia la pared posterior.

Nota Importante: Se debe tener mucho cuidado al instalar este panel. El sello hermético depende de que la lengüeta se inserte firmemente dentro de la ranura antes de que el panel se vuelva a colocar en su posición y la alineación de la altura no se puede ajustar una vez que el panel hace clic en su sitio.

5. Empuja el panel firmemente contra la pared para eliminar las burbujas de aire a lo largo de toda el área y luego golpea ligeramente el panel con un mazo de hule de arriba a abajo para asegurarte de que esté bien fijo a la pared.



7 INSTALE EL PANEL DECORATIVO LATERAL DERECHO

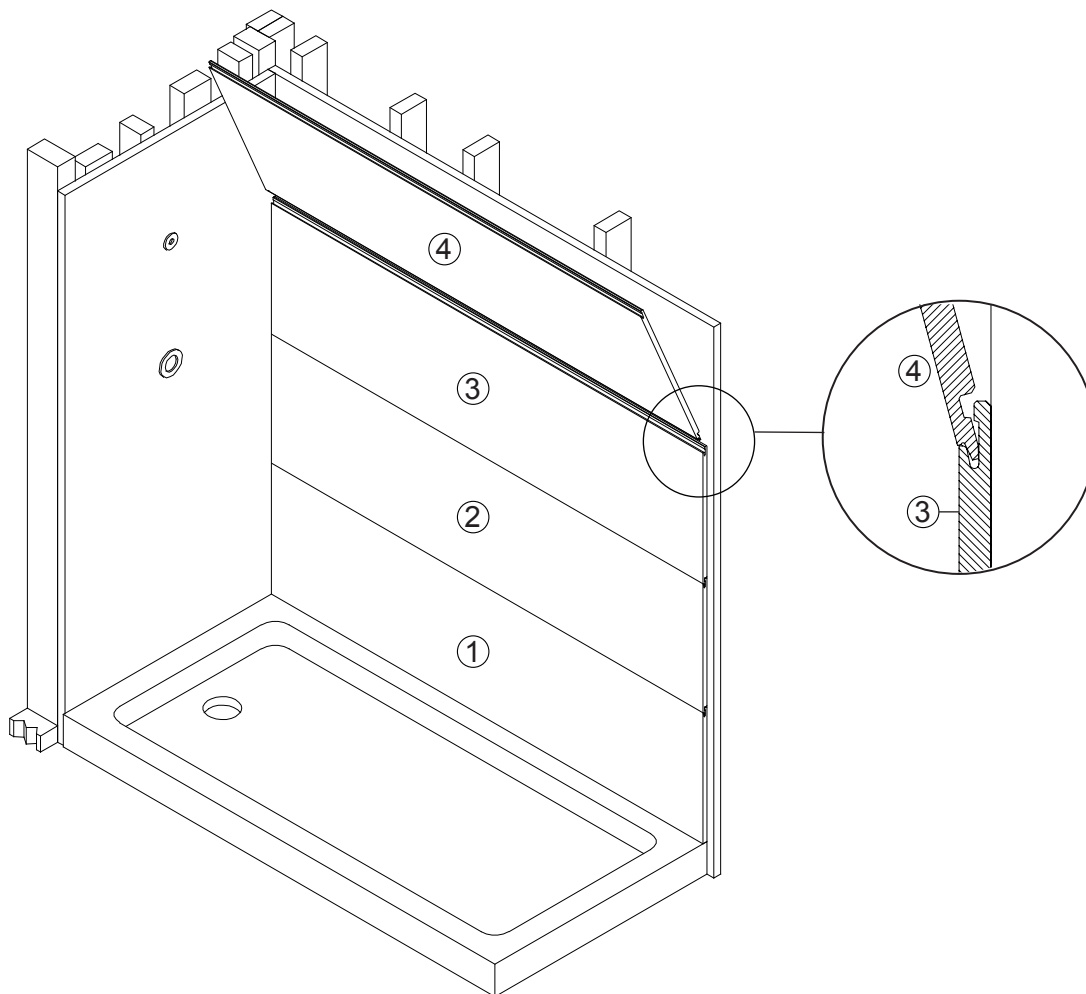
Nota importante: Las flechas en la etiqueta en la parte posterior de cada panel indican la PARTE SUPERIOR del panel.

1. Localiza el panel etiquetado como **(4) Cuarto Panel Posterior** y colócalo sobre una superficie plana.
2. Basándote en tus medidas del Paso 1 (Medición), reduce la anchura, si es necesario, y haz los recortes de plomería necesarios siguiendo las instrucciones del Paso 2 (Corte).
3. Aplica la cinta de doble cara y el adhesivo de construcción como se explica en el Paso 3.
4. Despega la parte posterior de la cinta de doble cara de la parte posterior del panel. Coloca el panel en un ángulo aproximadamente a 45 grados, y empuja con cuidado el borde de la lengüeta en la ranura del borde de salida del **(3) Tercer Panel Posterior**. Mueve el panel suavemente mientras ejerces presión hacia adelante y empuja con cuidado hacia la pared posterior.

Nota Importante: Se debe tener mucho cuidado al instalar este panel. El sello hermético depende de que la lengüeta se inserte firmemente dentro de la ranura antes de que el panel se vuelva a colocar en su posición y la alineación de la altura no se puede ajustar una vez que el panel hace click en su sitio.

5. Empuja el panel firmemente contra la pared para eliminar las burbujas de aire a lo largo de toda el área y luego golpea ligeramente el panel con un mazo de hule de arriba a abajo para asegurarte de que esté bien fijo a la pared.

Nota: Si no realiza la instalación con Panel Decorativo, vaya al Paso 8.

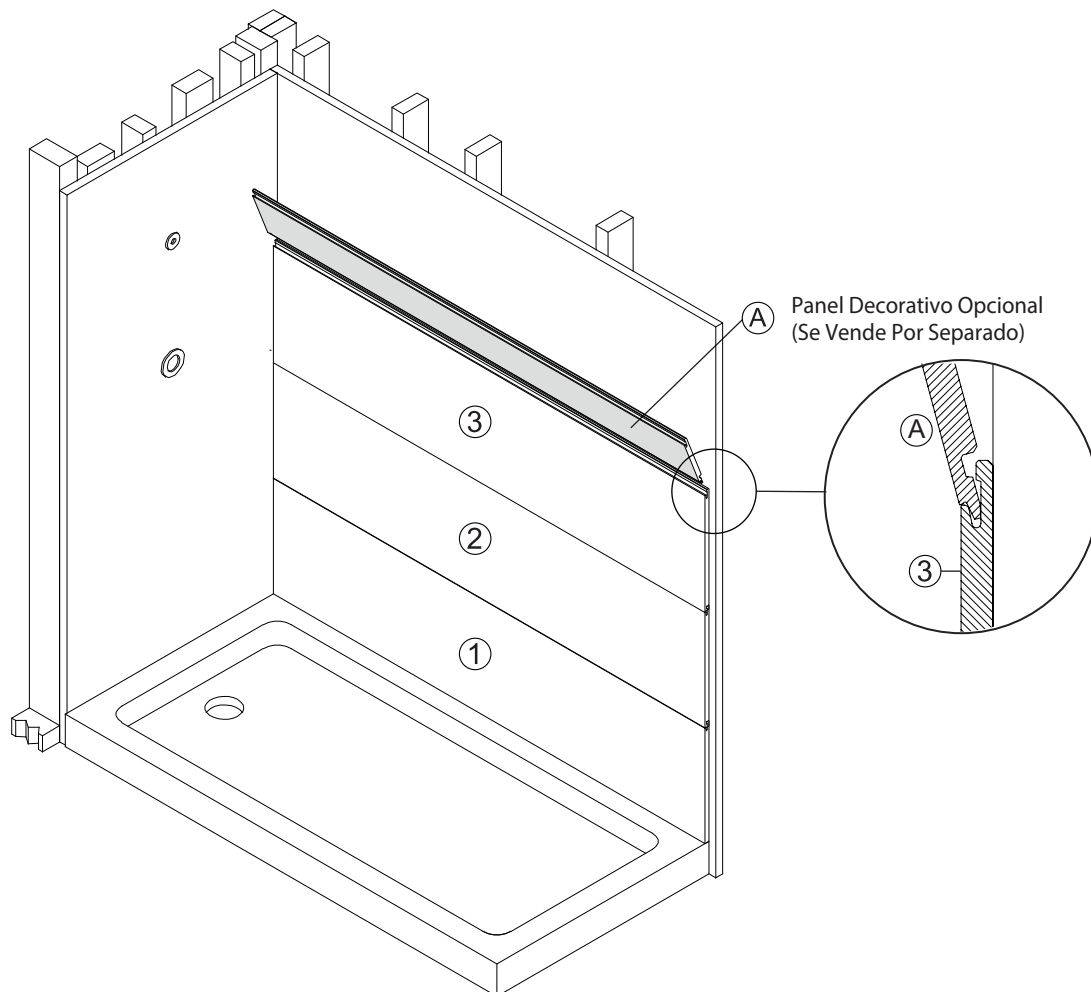


7a **INSTALE EL PANEL DECORATIVO POSTERIOR**
Nota Importante: Las flechas en la etiqueta en la parte posterior de cada panel indican la PARTE SUPERIOR del panel.

1. Localiza el panel etiquetado como **(A) Panel Decorativo Posterior** y colócalo sobre una superficie plana.
2. Basándote en tus medidas del Paso 1 (Medición), reduce la anchura, si es necesario, y haz los recortes de plomería necesarios siguiendo las instrucciones del Paso 2 (Corte).
3. Aplica la cinta de doble cara y el adhesivo de construcción como se explica en el Paso 3.
4. Despega la cinta de doble cara de la parte posterior del panel decorativo. Coloca el panel en un ángulo aproximadamente a 45 grados, y empuja con cuidado el borde de la lengüeta en la ranura de borde de salida del **(3) Tercer Panel Posterior**. Mueve el panel suavemente mientras ejerces presión hacia adelante y empuja con cuidado hacia la pared posterior.

Nota importante: Se debe tener mucho cuidado al instalar este panel. El sello hermético depende de que la lengüeta se inserte firmemente dentro de la ranura antes de que el panel se vuelva a colocar en su posición y la alineación de la altura no se puede ajustar una vez que el panel hace clic en su sitio.

5. Empuja el panel firmemente contra la pared para eliminar las burbujas de aire a lo largo de toda el área y luego golpea ligeramente el panel con un mazo de hule de arriba a abajo para asegurarte de que esté bien fijo a la pared.



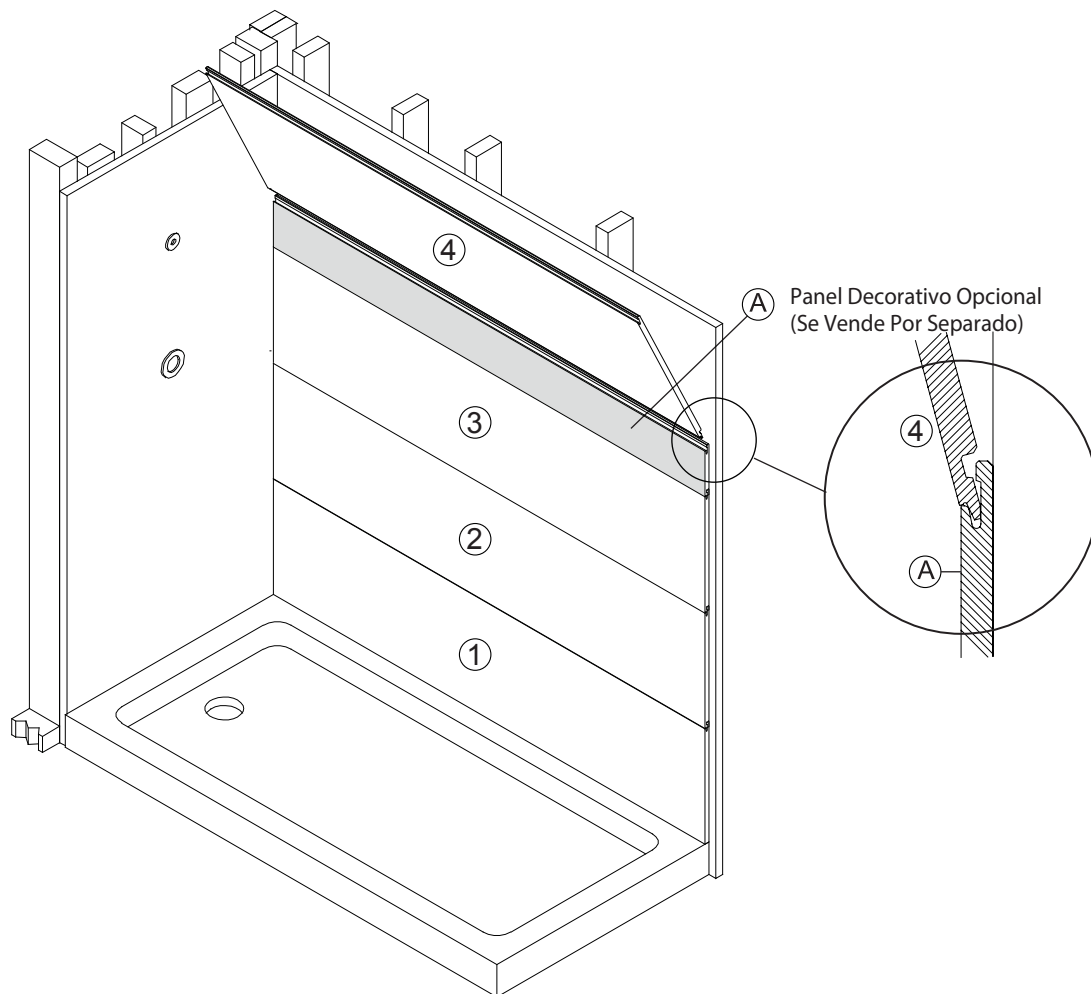
7b INSTALE EL PANEL PARA PARED POSTERIOR

Nota Importante: Las flechas en la etiqueta en la parte posterior de cada panel indican la PARTE SUPERIOR del panel.

1. Localiza el panel etiquetado como **(4) Cuarto Panel Posterior** y colócalo sobre una superficie plana.
2. Basándote en tus medidas del Paso 1 (Medición), reduce la anchura, si es necesario, y haz los recortes de plomería necesarios siguiendo las instrucciones del Paso 2 (Corte).
3. Aplica la cinta de doble cara y el adhesivo de construcción como se explica en el Paso 3.
4. Despega la cinta de doble cara de la parte posterior del panel. Coloca el panel en un ángulo aproximadamente a 45 grados y empuja con cuidado el borde de la lengüeta dentro de la ranura en el borde posterior del **(A) Panel Decorativo Posterior**. Mueve el panel suavemente mientras ejerces presión hacia adelante y empuja con cuidado hacia la pared posterior.

Nota importante: Se debe tener mucho cuidado al instalar este panel. El sello hermético depende de que la lengüeta se inserte firmemente dentro de la ranura antes de que el panel se vuelva a colocar en su posición y la alineación de la altura no se puede ajustar una vez que el panel hace clic en su sitio.

5. Empuja el panel firmemente contra la pared para eliminar las burbujas de aire a lo largo de toda el área y luego golpea ligeramente el panel con un mazo de hule de arriba a abajo para asegurarte de que esté bien fijo a la pared.

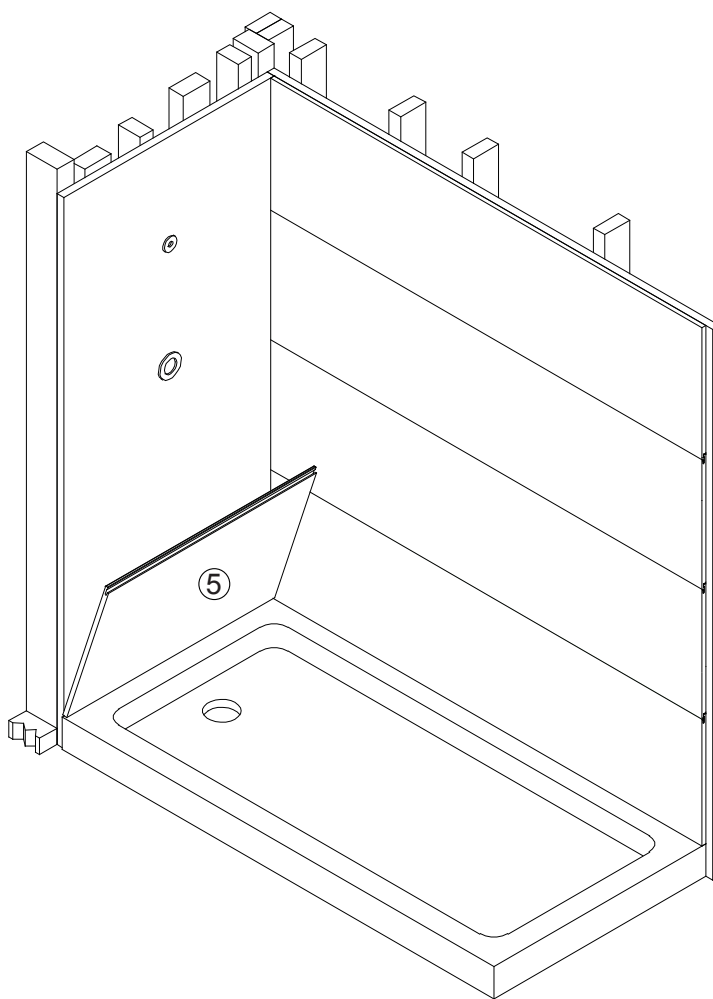


8

INSTALE EL PANEL DE PARED LATERAL IZQUIERDO

Nota Importante: Las flechas en la etiqueta en la parte posterior de cada panel indican la PARTE SUPERIOR del panel.

1. Localiza el panel etiquetado como **(5) Panel Lateral** y colócalo sobre una superficie plana.
2. Según las medidas del Paso 1 (Medición), corta el panel al tamaño apropiado y haz los cortes de plomería necesarios de acuerdo con las instrucciones del Paso 2 (Corte)
3. Aplica la cinta de doble cara y el adhesivo de construcción como se explica en el Paso 3.
4. Despega la cinta de doble cara de la parte posterior del panel para pared con borde biselado.
5. Coloca el panel aproximadamente a 30 grados, empuja el borde del panel dentro de la esquina y luego empuja con cuidado el panel hacia la pared. Usa cuñas si es necesario.

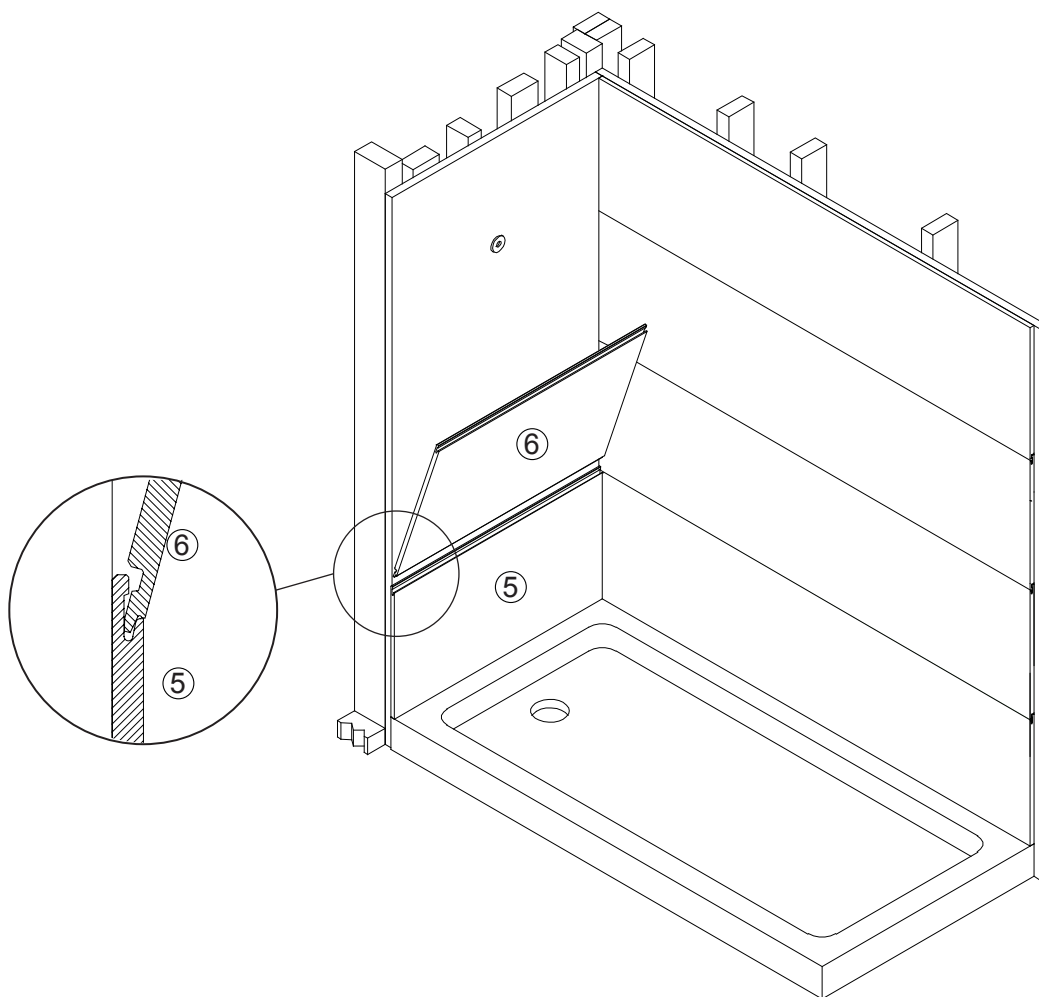


6. Empuja el panel firmemente contra la pared para eliminar las burbujas de aire a lo largo de toda el área y luego golpea ligeramente el panel con un mazo de hule de arriba a abajo para asegurarte de que esté bien fijo a la pared.

9 INSTALE EL PANEL DE PARED LATERAL IZQUIERDO

Nota Importante: Las flechas en la etiqueta en la parte posterior de cada panel indican la PARTE SUPERIOR del panel.

1. Coloca el **(6) Panel Lateral** sobre una superficie plana
2. Según las medidas del Paso 1 (Medición), corta el panel al tamaño apropiado y haz los cortes de plomería necesarios de acuerdo con las instrucciones del Paso 2 (Corte)
3. Aplica la cinta de doble cara y el adhesivo de construcción como se explica en el Paso 3.
4. Despega la cinta de doble cara de la parte posterior del panel para pared con borde biselado.
5. Coloca el panel aproximadamente a 30 grados, empuja el borde del panel dentro de la esquina y luego empuja con cuidado el panel hacia la pared.



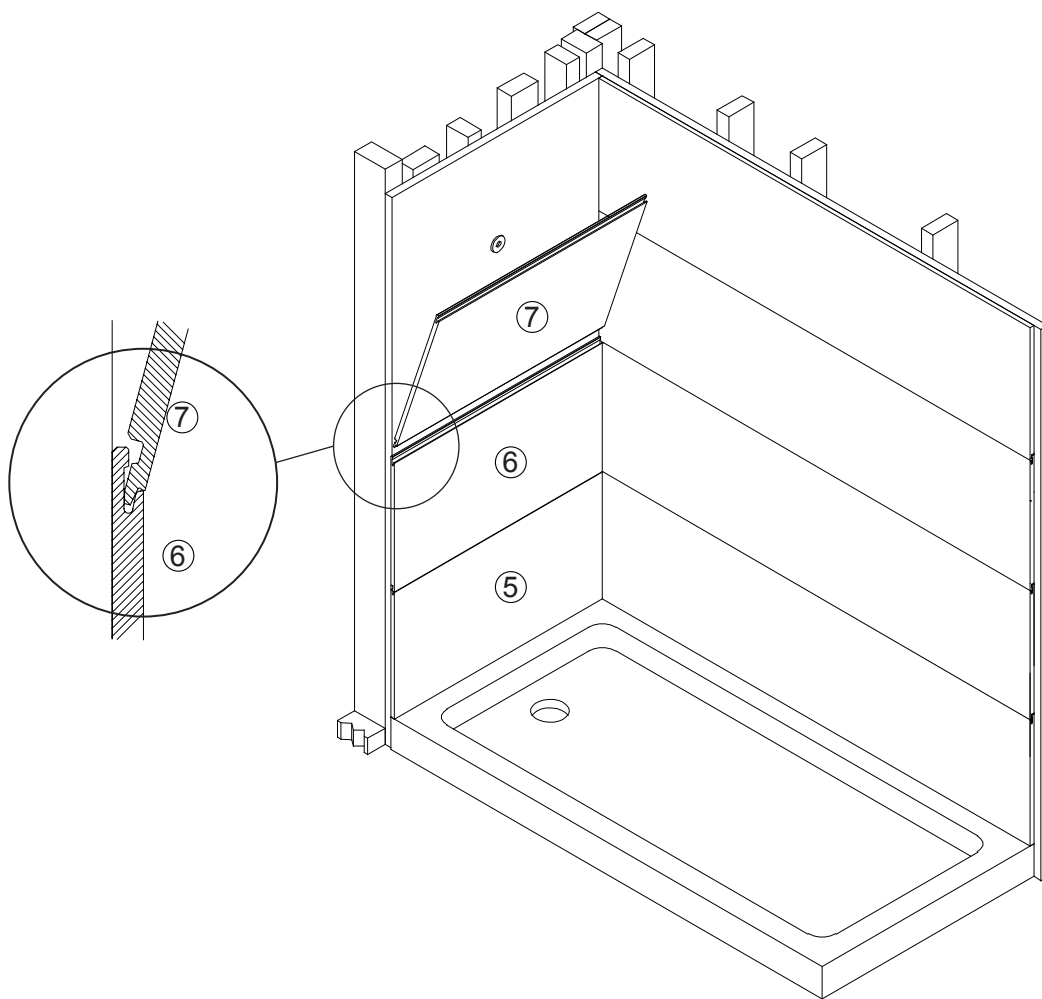
6. Empuja el panel firmemente contra la pared para eliminar las burbujas de aire a lo largo de toda el área y luego golpea ligeramente el panel con un mazo de hule de arriba a abajo para asegurarte de que esté bien fijo a la pared.

10

INSTALE EL PANEL DE PARED LATERAL IZQUIERDO

Nota Importante: Las flechas en la etiqueta en la parte posterior de cada panel indican la PARTE SUPERIOR del panel.

1. Coloca el **(7) Panel Lateral** sobre una superficie plana
2. Según las medidas del Paso 1 (Medición), corta el panel al tamaño apropiado y haz los cortes de plomería necesarios de acuerdo con las instrucciones del Paso 2 (Corte)
3. Aplica la cinta de doble cara y el adhesivo de construcción como se explica en el Paso 3.
4. Despega la cinta de doble cara de la parte posterior del panel para pared con borde biselado.
5. Coloca el panel aproximadamente a 30 grados, empuja el borde del panel dentro de la esquina y luego empuja con cuidado el panel hacia la pared.



6. Empuja el panel firmemente contra la pared para eliminar las burbujas de aire a lo largo de toda el área y luego golpea ligeramente el panel con un mazo de hule de arriba a abajo para asegurarte de que esté bien fijo a la pared.

11

CÓMO CORTAR

Nota Importante: Las flechas en la etiqueta en la parte posterior de cada panel indican la PARTE SUPERIOR del panel. Las siguientes instrucciones de cómo cortar deben usarse al hacer todos los cortes.

Cortes Para Plomería:

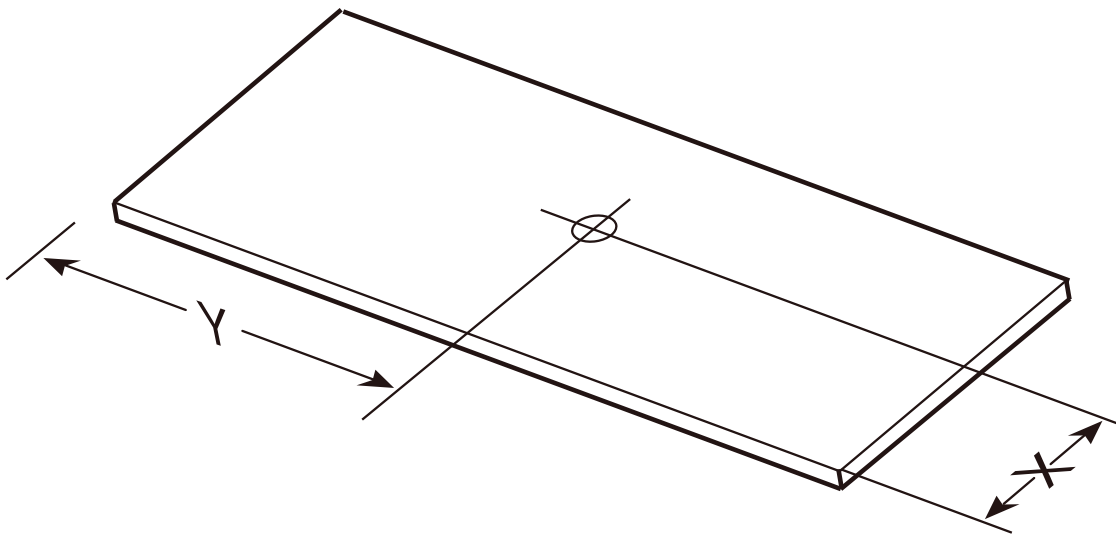
Utiliza un taladro y una sierra cilíndrica del tamaño adecuado para hacer los cortes para la ducha, caño de llenado, las manijas del grifo y/o cualquier otro corte necesario para la plomería que ya esté en las paredes.

Nota: Para asegurarte de que las medidas sean las correctas, haz una plantilla de cartón para probar los cortes para la plomería antes de cortar los paneles JETCOAT®.

Importante: El taladro puede dañar la superficie del panel de pared JETCOAT®. Taladra los orificios desde la parte posterior del panel.

Accesorios Empotrados:

Si piensas instalar un accesorio empotrado, recorta el panel como corresponda después de instalado por completo y de transcurrido el tiempo adecuado para adherirse a la pared. Recuerda tener en cuenta las vigas de pared al colocar el accesorio.



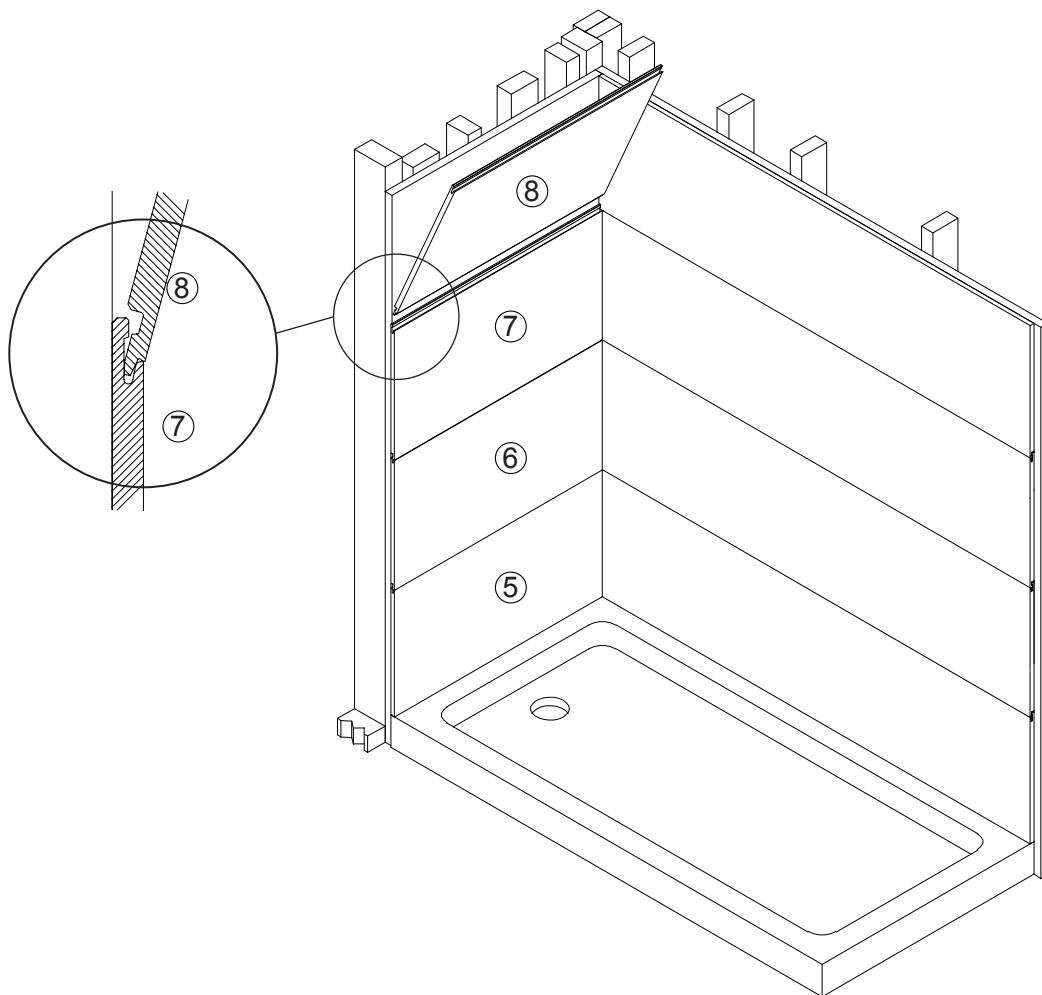
Mide las ubicaciones de los recortes para los accesorios de plomería y márcalos en la parte posterior de los paneles apropiados.

12 INSTALE EL PANEL DE PARED LATERAL IZQUIERDO

Nota Importante: Las flechas en la etiqueta en la parte posterior de cada panel indican la PARTE SUPERIOR del panel.

1. Coloca **(8) Panel Lateral** sobre una superficie plana
2. Según las medidas del Paso 1 (Medición), corta el panel al tamaño apropiado y haz los cortes de plomería necesarios de acuerdo con las instrucciones del Paso 2 (Corte)
3. Aplica la cinta de doble cara y el adhesivo de construcción como se explica en el Paso 3.
4. Despega la cinta de doble cara de la parte posterior del panel para pared con borde biselado.
5. Coloca el panel aproximadamente a 30 grados, empuja el borde del panel dentro de la esquina y luego empuja con cuidado el panel hacia la pared.
6. Empuja el panel firmemente contra la pared para eliminar las burbujas de aire a lo largo de toda el área y luego golpea ligeramente el panel con un mazo de hule de arriba a abajo para asegurarte de que esté bien fijo a la pared.

Nota: Si no se instala con el panel decorativo, ve al paso 13.



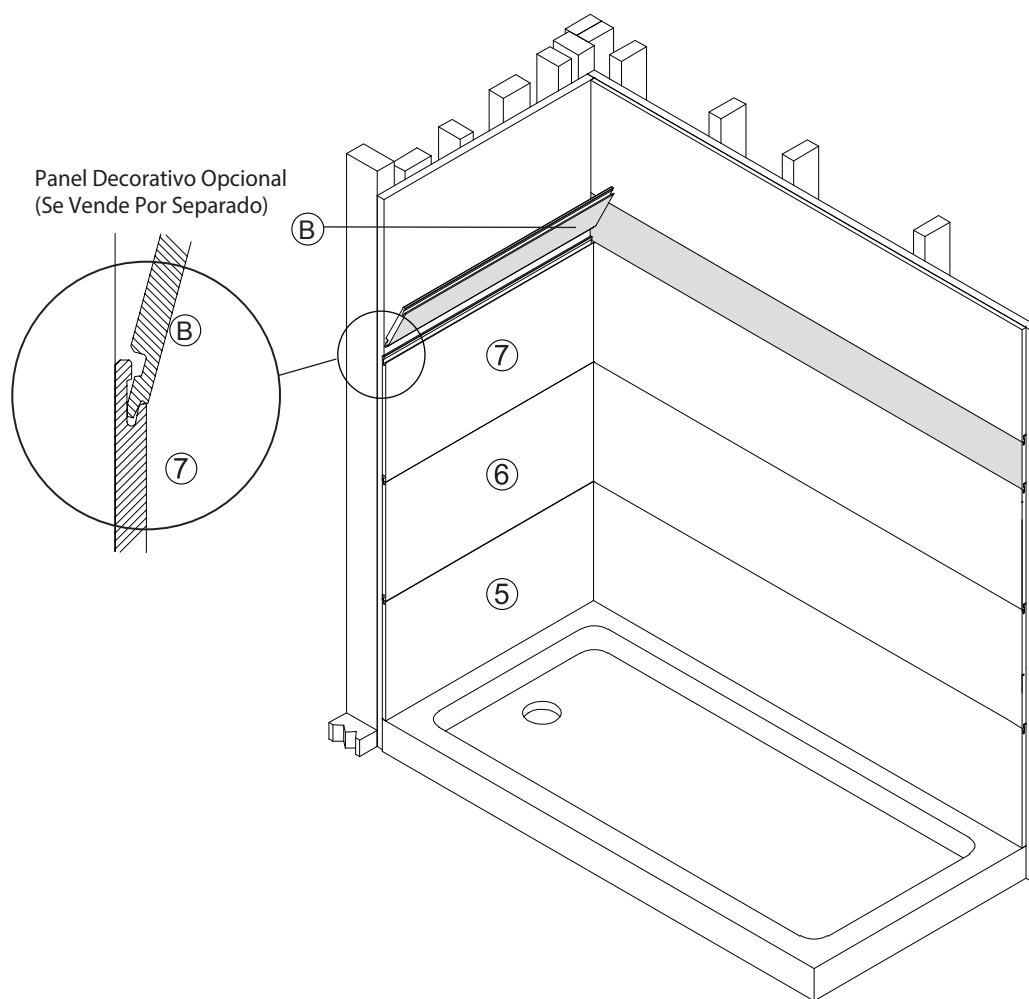
6. Empuja el panel firmemente contra la pared para eliminar las burbujas de aire a lo largo de toda el área y luego golpea ligeramente el panel con un mazo de hule de arriba a abajo para asegurarte de que esté bien fijo a la pared.

12a

INSTALE EL PANEL DECORATIVO LATERAL IZQUIERDO

Nota Importante: Las flechas en la etiqueta en la parte posterior de cada panel indican la PARTE SUPERIOR del panel.

1. Coloca el **(B) Panel Decorativo Lateral** sobre una superficie plana
2. Según las medidas del Paso 1 (Medición), corta el panel al tamaño apropiado y haz los cortes de plomería necesarios de acuerdo con las instrucciones del Paso 2 (Corte)
3. Aplica la cinta de doble cara y el adhesivo de construcción como se explica en el Paso 3.
4. Despega la cinta de doble cara de la parte posterior del panel decorado lateral.
5. Coloca el panel aproximadamente a 30 grados, empuja el borde del panel dentro de la esquina y luego empuja con cuidado el panel hacia la pared.



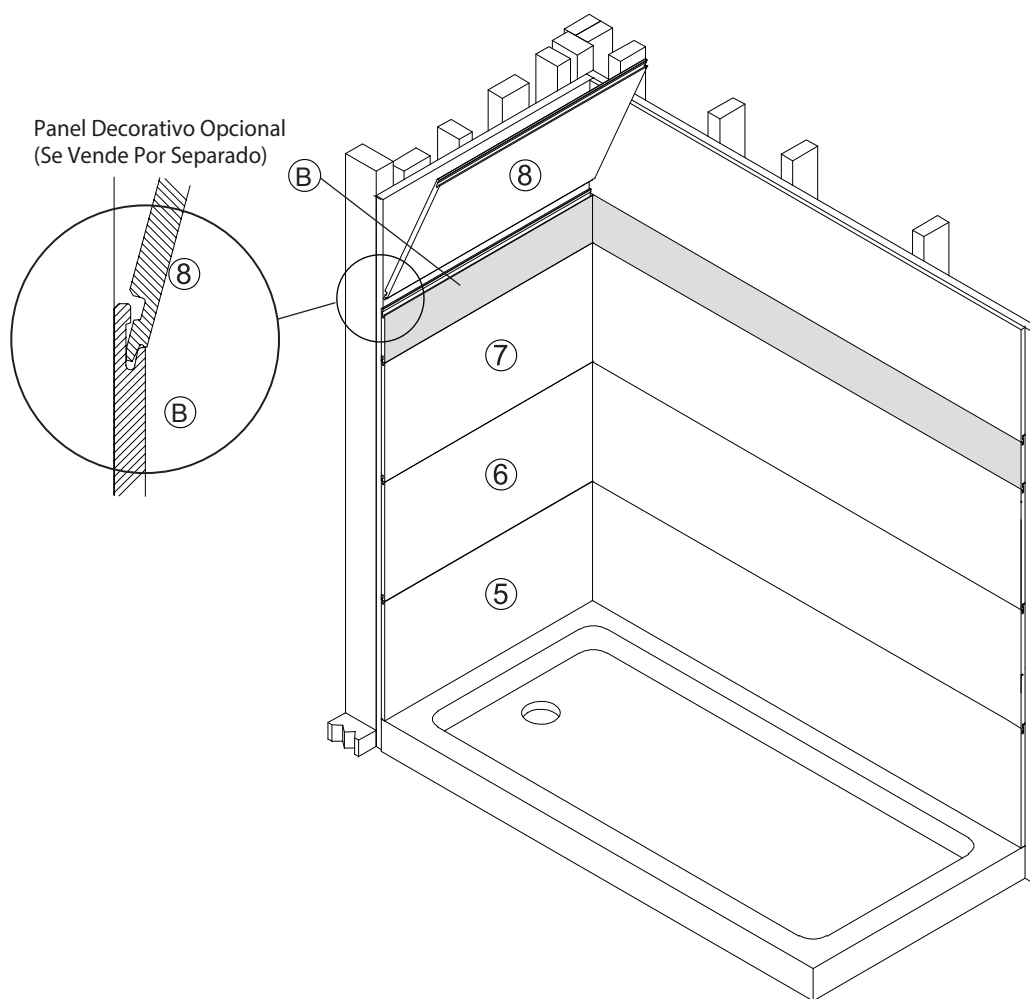
6. Empuja el panel firmemente contra la pared para eliminar las burbujas de aire a lo largo de toda el área y luego golpea ligeramente el panel con un mazo de hule de arriba a abajo para asegurarte de que esté bien fijo a la pared.

12b

INSTALE EL PANEL DE PARED LATERAL IZQUIERDO

Nota Importante: Las flechas en la etiqueta en la parte posterior de cada panel indican la PARTE SUPERIOR del panel.

1. Coloca el **(8) Panel Lateral** sobre una superficie plana
2. Según las medidas del Paso 1 (Medición), corta el panel al tamaño apropiado y haz los cortes de plomería necesarios de acuerdo con las instrucciones del Paso 2 (Corte).
3. Aplica la cinta de doble cara y el adhesivo de construcción como se explica en el Paso 3.
4. Despega la cinta de doble cara de la parte posterior del panel para pared con borde biselado.
5. Coloca el panel aproximadamente a 30 grados, empuja el borde del panel dentro de la esquina y luego empuja con cuidado el panel hacia la pared.



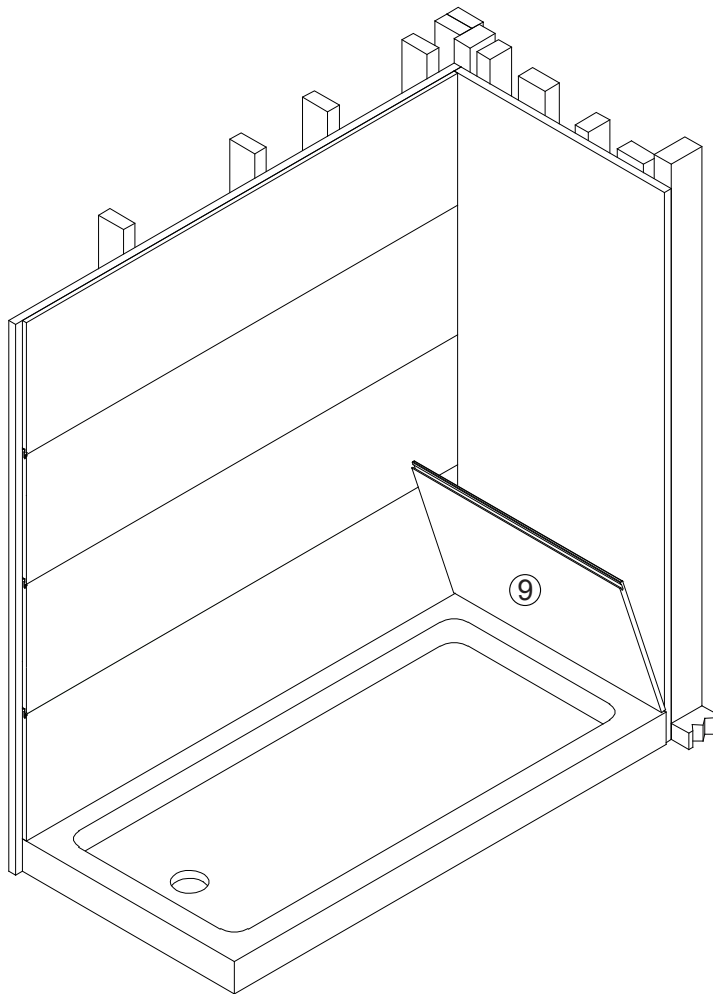
6. Empuja el panel firmemente contra la pared para eliminar las burbujas de aire a lo largo de toda el área y luego golpea ligeramente el panel con un mazo de hule de arriba a abajo para asegurarte de que esté bien fijo a la pared.

13

INSTALE EL PANEL DE PARED LATERAL DERECHO

Nota Importante: Las flechas en la etiqueta en la parte posterior de cada panel indican la PARTE SUPERIOR del panel.

1. Localiza el panel etiquetado como **(9) Panel Lateral** y colócalo sobre una superficie plana.
2. Según las medidas del Paso 1 (Medición), corta el panel al tamaño apropiado y haz los cortes de plomería necesarios de acuerdo con las instrucciones del Paso 2 (Corte).
3. Aplica la cinta de doble cara y el adhesivo de construcción como se explica en el Paso 3.
4. Despega la cinta de doble cara de la parte posterior del panel para pared con borde biselado.
5. Coloca el panel aproximadamente a 30 grados, empuja el borde del panel dentro de la esquina y luego empuja con cuidado el panel hacia la pared. Usa cuñas si es necesario.



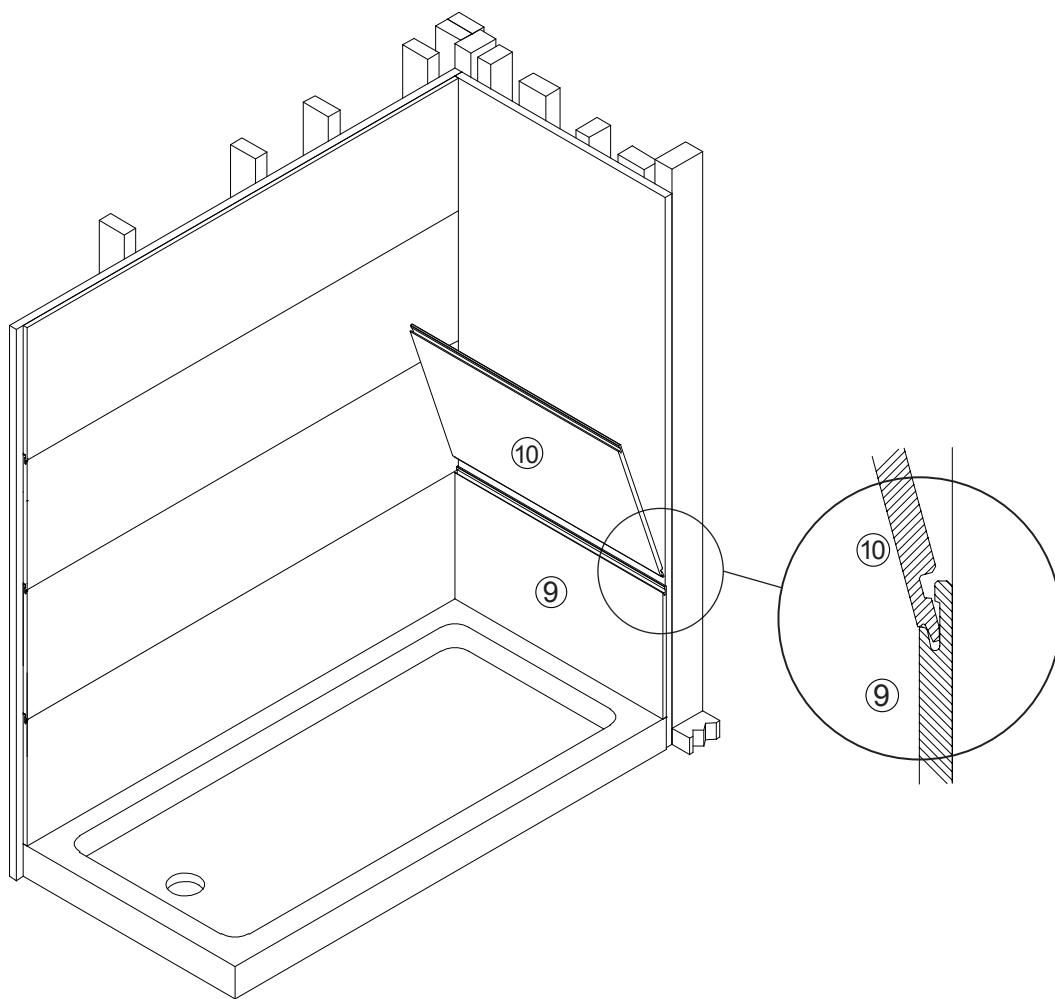
6. Empuja el panel firmemente contra la pared para eliminar las burbujas de aire a lo largo de toda el área y luego golpea ligeramente el panel con un mazo de hule de arriba a abajo para asegurarte de que esté bien fijo a la pared.

14

CÓMO INSTALAR EL PANEL DE PARED LATERAL DERECHO

Nota Importante: Las flechas en la etiqueta en la parte posterior de cada panel indican la PARTE SUPERIOR del panel.

1. Localiza el panel etiquetado como **(10) Panel Lateral** y colócalo sobre una superficie plana.
2. Según las medidas del Paso 1 (Medición), corta el panel al tamaño apropiado y haz los cortes de plomería necesarios de acuerdo con las instrucciones del Paso 2 (Corte).
3. Aplica la cinta de doble cara y el adhesivo de construcción como se explica en el Paso 3.
4. Despega la cinta de doble cara de la parte posterior del panel para pared con borde biselado.
5. Coloca el panel aproximadamente a 30 grados, empuja el borde del panel dentro de la esquina y luego empuja con cuidado el panel hacia la pared. Usa cuñas si es necesario.



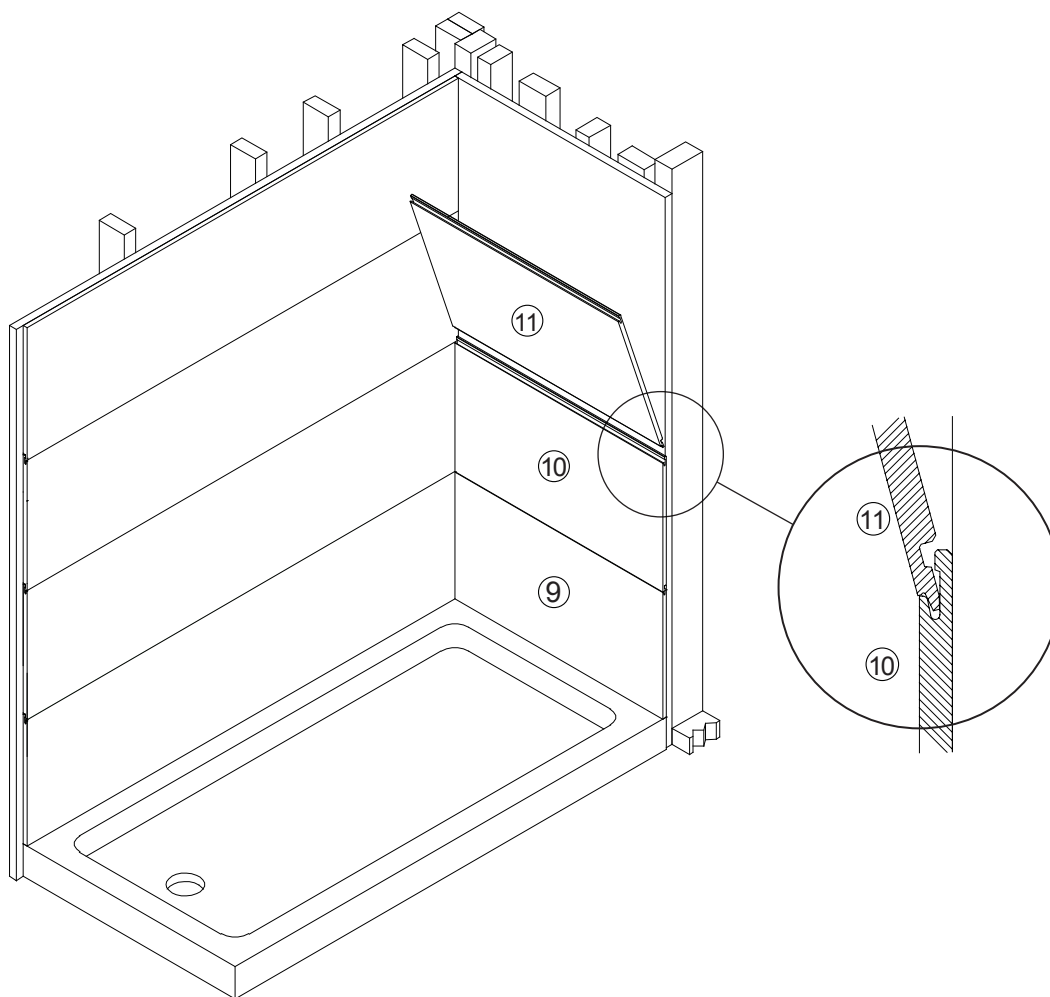
6. Empuja el panel firmemente contra la pared para eliminar las burbujas de aire a lo largo de toda el área y luego golpea ligeramente el panel con un mazo de hule de arriba a abajo para asegurarte de que esté bien fijo a la pared.

15

CÓMO INSTALAR EL PANEL DE PARED LATERAL DERECHO

Nota Importante: Las flechas en la etiqueta en la parte posterior de cada panel indican la PARTE SUPERIOR del panel.

1. Localiza el panel etiquetado como **(11) Panel Lateral** y colócalo sobre una superficie plana.
2. Según las medidas del Paso 1 (Medición), corta el panel al tamaño apropiado y haz los cortes de plomería necesarios de acuerdo con las instrucciones del Paso 2 (Corte).
3. Aplica la cinta de doble cara y el adhesivo de construcción como se explica en el Paso 3.
4. Despega la cinta de doble cara de la parte posterior del panel para pared con borde biselado.
5. Coloca el panel a aproximadamente 30 grados, empuja el borde del panel dentro de la esquina y luego empuja con cuidado el panel hacia la pared. Usa cuñas si es necesario.



6. Empuja el panel firmemente contra la pared para eliminar las burbujas de aire a lo largo de toda el área y luego golpea ligeramente el panel con un mazo de hule de arriba a abajo para asegurarte de que esté bien fijo a la pared.

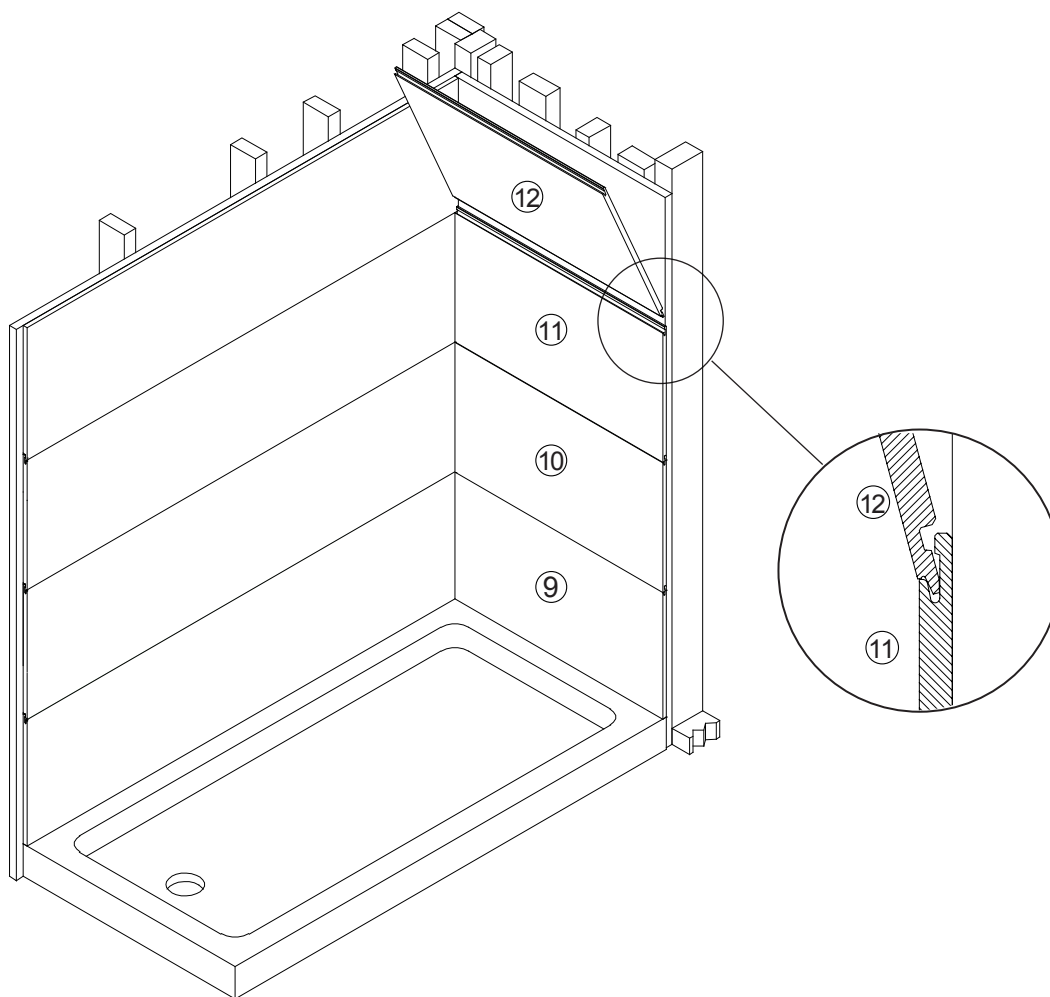
16

INSTALE EL PANEL DE PARED LATERAL DERECHO

Nota Importante: Las flechas en la etiqueta en la parte posterior de cada panel indican la PARTE SUPERIOR del panel.

1. Coloca el (12) *Panel Lateral* sobre una superficie plana.
2. Según las medidas del Paso 1 (Medición), corta el panel al tamaño apropiado y haz los cortes de plomería necesarios de acuerdo con las instrucciones del Paso 2 (Corte).
3. Aplica la cinta de doble cara y el adhesivo de construcción como se explica en el Paso 3.
4. Despega la cinta de doble cara de la parte posterior del panel para pared con borde biselado.
5. Coloca el panel aproximadamente a 30 grados, empuja el borde del panel dentro de la esquina y luego empuja con cuidado el panel hacia la pared. Usa cuñas si es necesario.

Nota: Si no se instala con el panel decorativo, ve al paso 17.



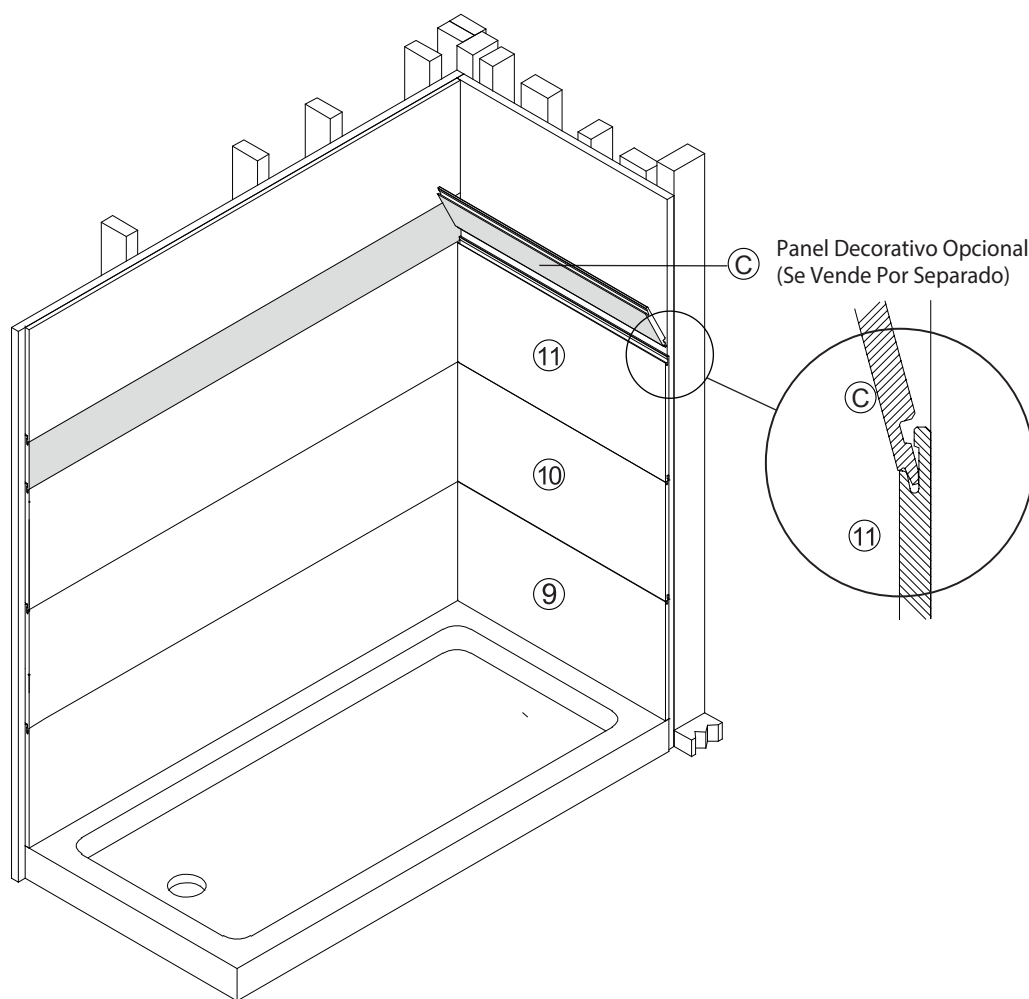
6. Empuja el panel firmemente contra la pared para eliminar las burbujas de aire a lo largo de toda el área y luego golpea ligeramente el panel con un mazo de hule de arriba a abajo para asegurarte de que esté bien fijo a la pared.

16a

INSTALE EL PANEL DECORATIVO LATERAL DERECHO

Nota Importante: Las flechas en la etiqueta en la parte posterior de cada panel indican la PARTE SUPERIOR del panel.

1. Coloca el (C) *Panel Decorativo Lateral* sobre una superficie plana.
2. Según las medidas del Paso 1 (Medición), corta el panel al tamaño apropiado y haz los cortes de plomería necesarios de acuerdo con las instrucciones del Paso 2 (Corte).
3. Aplica la cinta de doble cara y el adhesivo de construcción como se explica en el Paso 3.
4. Despega la cinta de doble cara de la parte posterior del panel decorado lateral.
5. Coloca el panel aproximadamente a 30 grados, empuja el borde del panel dentro de la esquina y luego empuja con cuidado el panel hacia la pared. Usa cuñas si es necesario.



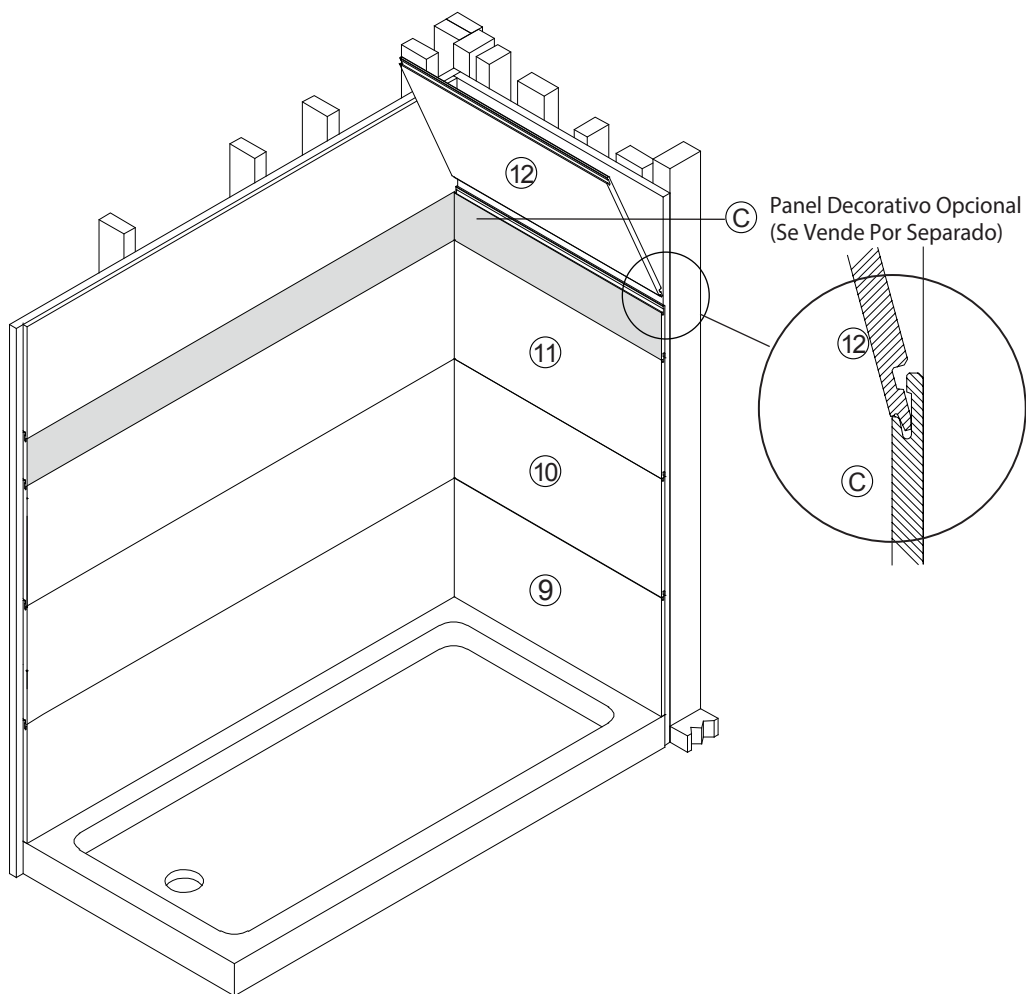
6. Empuja el panel firmemente contra la pared para eliminar las burbujas de aire a lo largo de toda el área y luego golpea ligeramente el panel con un mazo de hule de arriba a abajo para asegurarte de que esté bien fijo a la pared.

16b

INSTALE EL PANEL DE PARED LATERAL DERECHO

Nota Importante: Las flechas en la etiqueta en la parte posterior de cada panel indican la PARTE SUPERIOR del panel.

1. Coloca el (12) *Panel Lateral* sobre una superficie plana.
2. Según las medidas del Paso 1 (Medición), corta el panel al tamaño apropiado y haz los cortes de plomería necesarios de acuerdo con las instrucciones del Paso 2 (Corte).
3. Aplica la cinta de doble cara y el adhesivo de construcción como se explica en el Paso 3.
4. Despega la cinta de doble cara de la parte posterior del panel para pared con borde biselado.
5. Coloca el panel aproximadamente a 30 grados, empuja el borde del panel dentro de la esquina y luego empuja con cuidado el panel hacia la pared. Usa cuñas si es necesario.



6. Empuja el panel firmemente contra la pared para eliminar las burbujas de aire a lo largo de toda el área y luego golpea ligeramente el panel con un mazo de hule de arriba a abajo para asegurarte de que esté bien fijo a la pared.

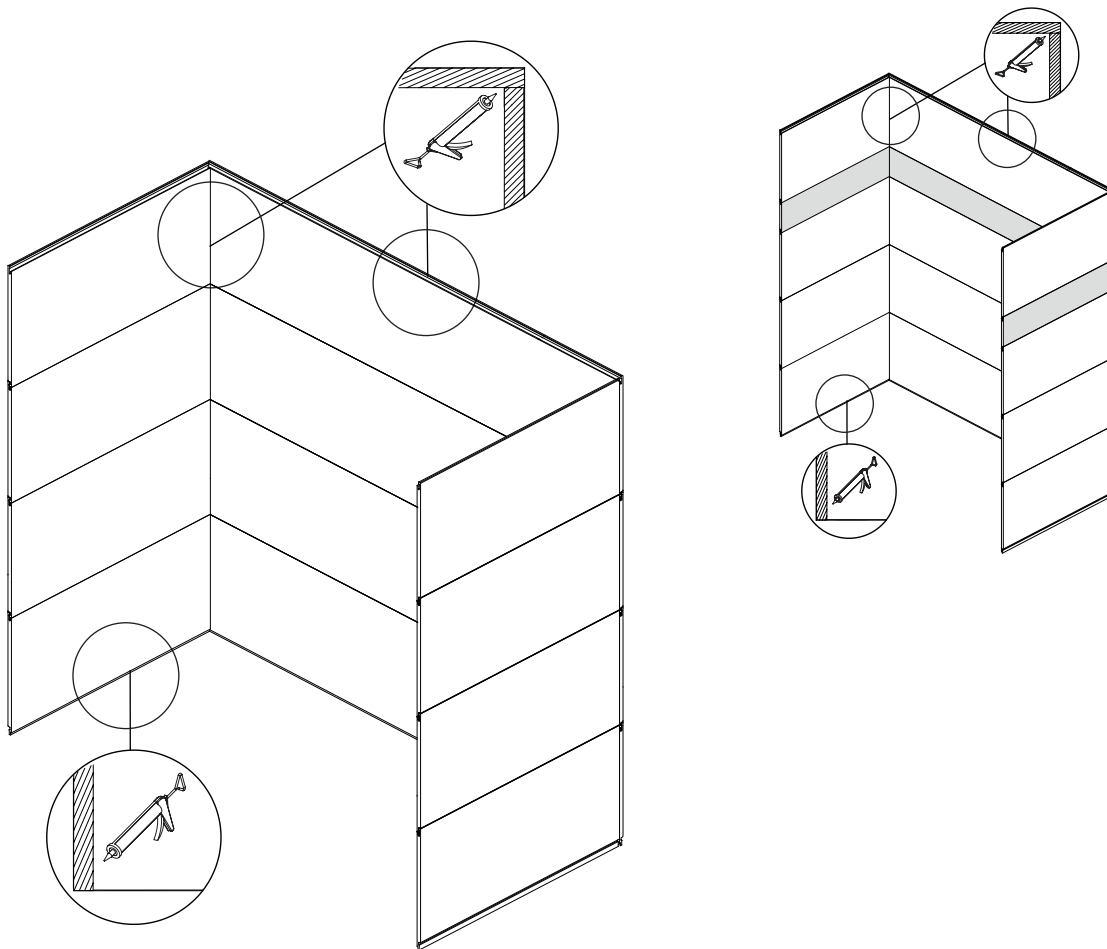
17 CÓMO APLICAR PASTA SELLADORA EN ESQUINAS Y BORDES

Aplica adecuadamente pasta selladora alrededor del Sistema de paredes para ducha JETCOAT® a fin de garantizar acabado y ajuste seguros. Esto incluye, pero no se limita a:

- Esquinas interiores donde se juntan las paredes de la ducha.
- Esquinas donde las paredes se encuentran con la base.
- Borde exterior de los paneles de pared lateral.
- No se requiere aplicar pasta selladora a lo largo del borde superior de todo el gabinete, pero puede ayudar a contribuir a un aspecto acabado.

Nota Importante: Mantén toda el área seca durante un mínimo de 24 horas para permitir que la pasta selladora y el adhesivo de construcción fragüen apropiadamente.

INSTALACIÓN: PANEL DECORATIVO OPCIONAL



GARANTÍA LIMITADA

FGI Industries, Ltd., garantiza al comprador original que este kit de sistema de pared para ducha JETCOAT[®] estará libre de defectos de fabricación que afecten su desempeño como accesorio para baño o ducha, bajo las siguientes condiciones y sujeto a las limitaciones contenidas en el "Soluciones" y "Limitaciones de la garantía".

Para registrarse, visite:

USA: www.craftandmain.com

CANADA: www.craftandmain.ca

Esta Garantía Limitada es válida por 10 años, a partir de la fecha de compra original, si el elemento fijo se usa en una edificación residencial ocupada por el propietario y sin fines comerciales; o por 2 años, a partir de la fecha de compra original, si se usa en otro tipo de edificación para alquiler o de uso comercial o empresarial.

- Esta Garantía Limitada quedará anulada si el elemento fijo no se instala según las instrucciones de instalación suministradas por JETCOAT[®], o se incumplen las regulaciones y códigos de construcción locales, o no se siguen las instrucciones de mantenimiento y limpieza suministradas por JETCOAT[®].
- Esta Garantía Limitada también quedará anulada si el elemento fijo se mueve de su lugar de instalación inicial o sufre algún accidente, abuso o uso inadecuado.
- Esta Garantía Limitada excluye el desgaste por uso normal y no cubre daños que puedan repararse siguiendo las Instrucciones para Eliminación de Rayones.
- Esta Garantía Limitada se anulará a menos que cualquier defecto o disconformidad se detecte antes de expirar el plazo de garantía y se notifique a FGI Industries, Ltd. por escrito acompañado de la prueba de compra original, dentro de los 30 días siguientes a la detección.

SOLUCIONES:

Las soluciones para el comprador original bajo esta Garantía Limitada están circunscritas a la reparación, reemplazo o reembolso del precio de compra del elemento fijo, a discreción de FGI Industries, Ltd., de cualquier pieza de dicho elemento que presente algún defecto o no cumpla con las especificaciones del fabricante.

En ningún caso FGI Industries, Ltd. será responsable por pérdida de ganancias ni de uso, ni por daños especiales, indirectos o secundarios, incluyendo, pero sin limitarse a, daños o pérdida de uso de la edificación o su contenido, ni aquellos que se deriven de cualquier defecto del elemento fijo; FGI Industries, Ltd. tampoco será responsable por ningún monto que exceda el precio de compra original del elemento fijo.

FGI Industries, Ltd. se reserva el derecho a exigir la devolución, con los gastos cubiertos por el comprador, del elemento fijo dañado para reparación o cambio antes de suministrar cualquier servicio bajo esta Garantía Limitada. Si FGI Industries, Ltd. elige reemplazar el elemento fijo, su obligación está limitada a suministrar la unidad o pieza de repuesto de tamaño y estilo similar, con exclusión de los costos por retiro, instalación o transportación, que serán cubiertos por el comprador.

Las piezas de repuesto suministradas bajo esta Garantía Limitada están garantizadas por el resto del período de garantía aplicable al elemento fijo, como si tales piezas fueran componentes originales de aquel.

LIMITACIONES DE LA GARANTÍA:

NO HAY OTRA GARANTÍA QUE SE EXTIENDA MÁS ALLÁ DE LA DESCRIPCIÓN DE LA PRESENTE. SE EXCLUYEN EXPRESAMENTE TODAS GARANTÍAS IMPLÍCITAS, INCLUYENDO AQUELLAS DE COMERCIALIZACIÓN O ADECUACIÓN DEL PRODUCTO PARA DETERMINADO PROPÓSITO EN PARTICULAR. FGI INDUSTRIES, LTD. NO ASUMIRÁ NINGUNA RESPONSABILIDAD POR DAÑOS ESPECIALES, DIRECTOS O INDIRECTOS. Algunos estados o provincias no permiten limitaciones de daños directos o indirectos, así que las limitaciones o exclusiones anteriores pudieran no aplicarse a su caso. En tales estados o provincias, la responsabilidad de FGI Industries, Ltd. se limitará al alcance permitido por las leyes del estado o de la provincia. TODAS LAS GARANTÍAS IMPLÍCITAS QUE SE DERIVEN DE LAS LEYES DEL ESTADO O DE LA PROVINCIA, INCLUSO AQUELLAS DE COMERCIALIZACIÓN O IDONEIDAD PARA DETERMINADO PROPÓSITO EN PARTICULAR, ESTÁN LIMITADAS EN SU DURACIÓN Y ALCANCE DE COBERTURA A LOS TÉRMINOS DE ESTA GARANTÍA LIMITADA, A MENOS QUE LA LEY PERMITA UN PLAZO MÁS CORTO.